

SPXTIN2003-01: Mast



SpanSet Australia Ltd

150 Old Bathurst Road
Emu Plains
NSW 2750
Australia

Telephone

+61 2 4735 3955

Fax

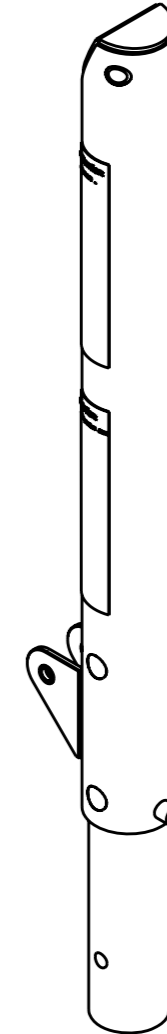
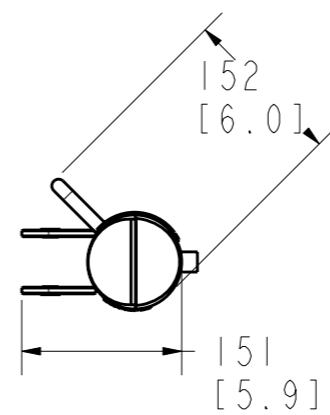
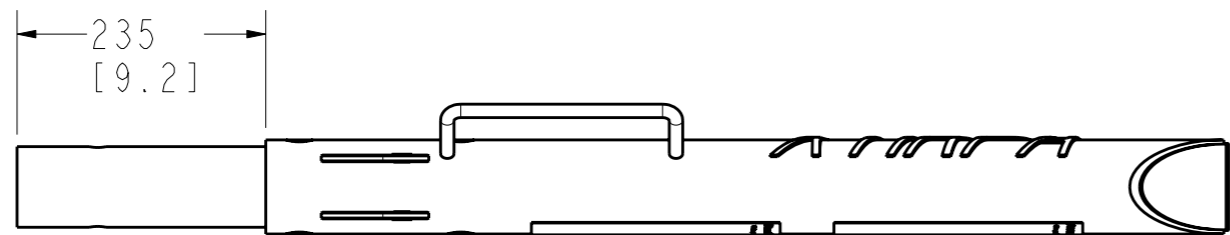
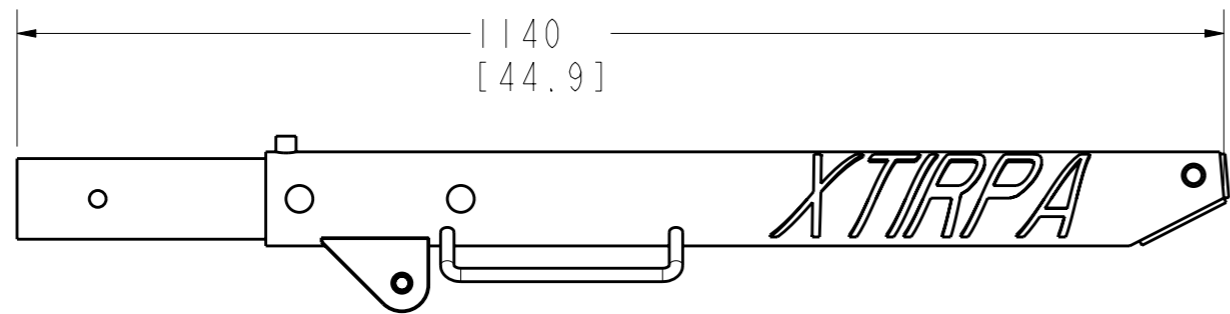
+61 2 4735 3630

E-mail

sales@spanset.com.au

Internet

www.spanset.com.au



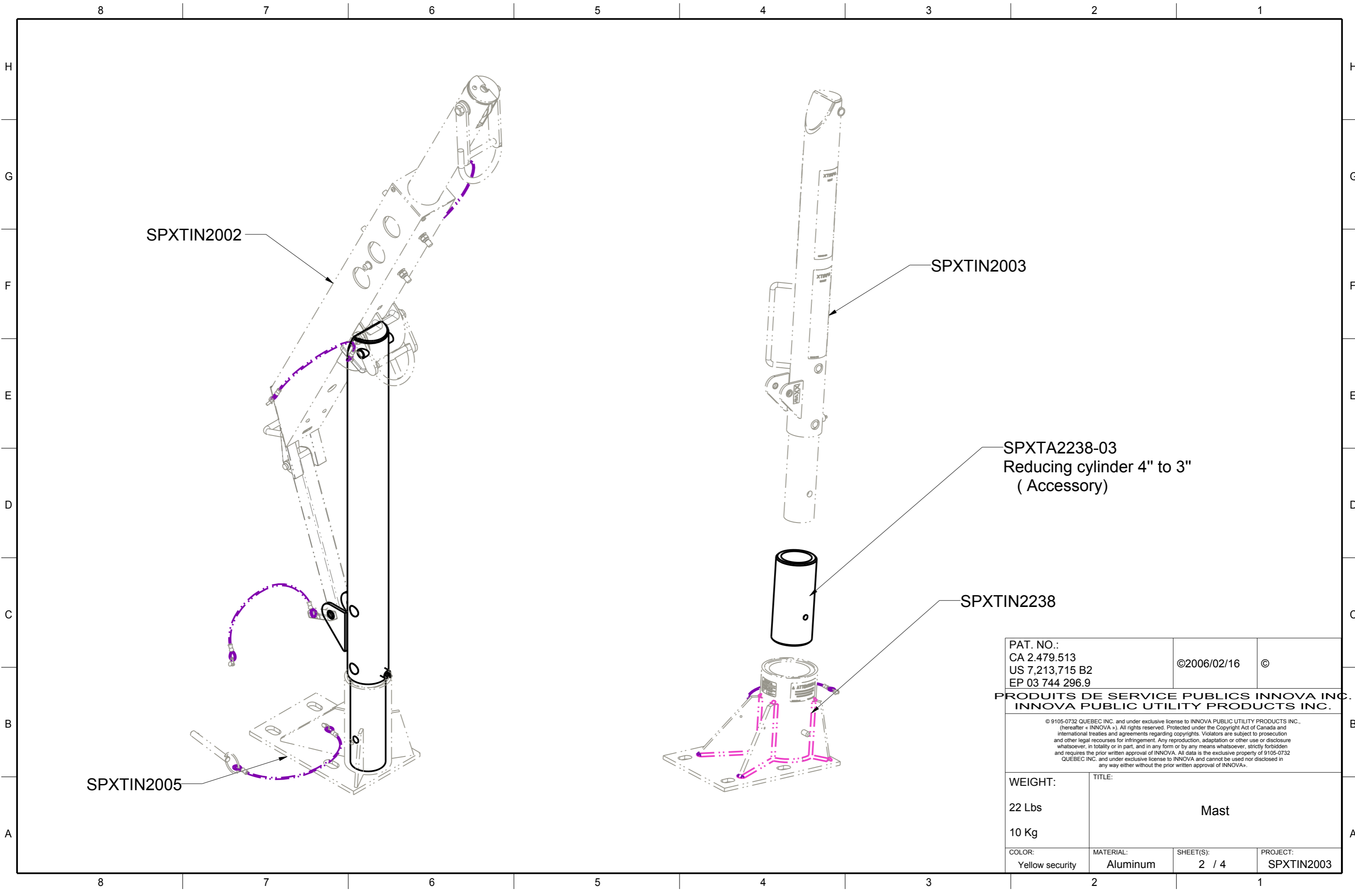
PAT. NO.:	
CA 2,479,513	©2006/02/16 ©
US 7,213,715 B2	
EP 03 744 296.9	

PRODUITS DE SERVICE PUBLICS INNOVA INC.
INNOVA PUBLIC UTILITY PRODUCTS INC.

© 9105-0732 QUEBEC INC. and under exclusive license to INNOVA PUBLIC UTILITY PRODUCTS INC., (hereafter « INNOVA »). All rights reserved. Protected under the Copyright Act of Canada and international treaties and agreements regarding copyrights. Violators are subject to prosecution and other legal recourses for infringement. Any reproduction, adaptation or other use or disclosure whatsoever, in totality or in part, and in any form or by any means whatsoever, strictly forbidden and requires the prior written approval of INNOVA. All data is the exclusive property of 9105-0732 QUEBEC INC. and under exclusive license to INNOVA and cannot be used nor disclosed in any way either without the prior written approval of INNOVA.

WEIGHT:	TITLE:
22 Lbs	Overall drawing of mast.
10 Kg	

COLOR:	MATERIAL:	SHEET(S):	PROJECT:
Yellow security	Aluminum	1 / 4	SPXTIN2003-01



SPXTIN2002

SPXTIN2003

SPXTA2238-03
Reducing cylinder 4" to 3"
(Accessory)

SPXTIN2238

SPXTIN2005

PAT. NO.: CA 2,479,513 US 7,213,715 B2 EP 03 744 296.9	©2006/02/16	©
---	-------------	---

PRODUITS DE SERVICE PUBLICS INNOVA INC.
INNOVA PUBLIC UTILITY PRODUCTS INC.

© 9105-0732 QUEBEC INC. and under exclusive license to INNOVA PUBLIC UTILITY PRODUCTS INC., (hereafter « INNOVA »). All rights reserved. Protected under the Copyright Act of Canada and international treaties and agreements regarding copyrights. Violators are subject to prosecution and other legal recourses for infringement. Any reproduction, adaptation or other use or disclosure whatsoever, in totality or in part, and in any form or by any means whatsoever, strictly forbidden and requires the prior written approval of INNOVA. All data is the exclusive property of 9105-0732 QUEBEC INC. and under exclusive license to INNOVA and cannot be used nor disclosed in any way either without the prior written approval of INNOVA.

WEIGHT:	TITLE:		
22 Lbs	Mast		
10 Kg			

COLOR: Yellow security	MATERIAL: Aluminum	SHEET(S): 2 / 4	PROJECT: SPXTIN2003
---------------------------	-----------------------	--------------------	------------------------

SPECIFICATIONS

Working load (mass):
 With Davit Arm SPXTIN2002 or SPXTIN2210: 164 kg (360 lbs)

Max capacity without deformation:
 With Davit Arm SPXTIN2002 or SPXTIN2210 : 16298 N (3664 lbf)
 With Davit Arm SPXTIN2002 or SPXTIN2210 and extended Mast SPXTIN2044 : 16298 N (3664 lbf)
 Maximum Moment : 9935 N-m (87,936 lbf-in)

STANDARDS

Meets the following standards:
 OSHA Personal fall arrest system - 1910.66 App C
 ANSI Safety requirements for personal fall arrest system,
 subsystems and components Z359.1 (R1999)
 CAN/CSA Fall arresters, vertical lifelines, and rails Z259.2.1-98

MATERIAL AND CONSTRUCTION

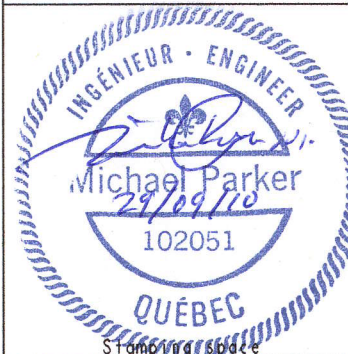
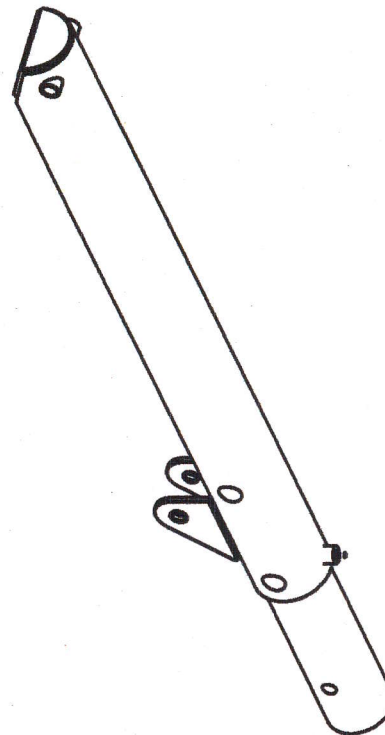
Mast : Aluminum 6061-T6
 Anchorage plates : Aluminum 6061-T6
 Finish : Yellow security powder paint with metal protection base.
 Welding certification: CSA W47,2M

RESTRICTIONS

This product is to be used only with products approved by Innova utility products INC.

Important:
 This product is man rated and shall be used in conjunction with
 Fall Arrest Equipment which limits the maximum arrest force (MAF).

Product number: SPXTIN2003



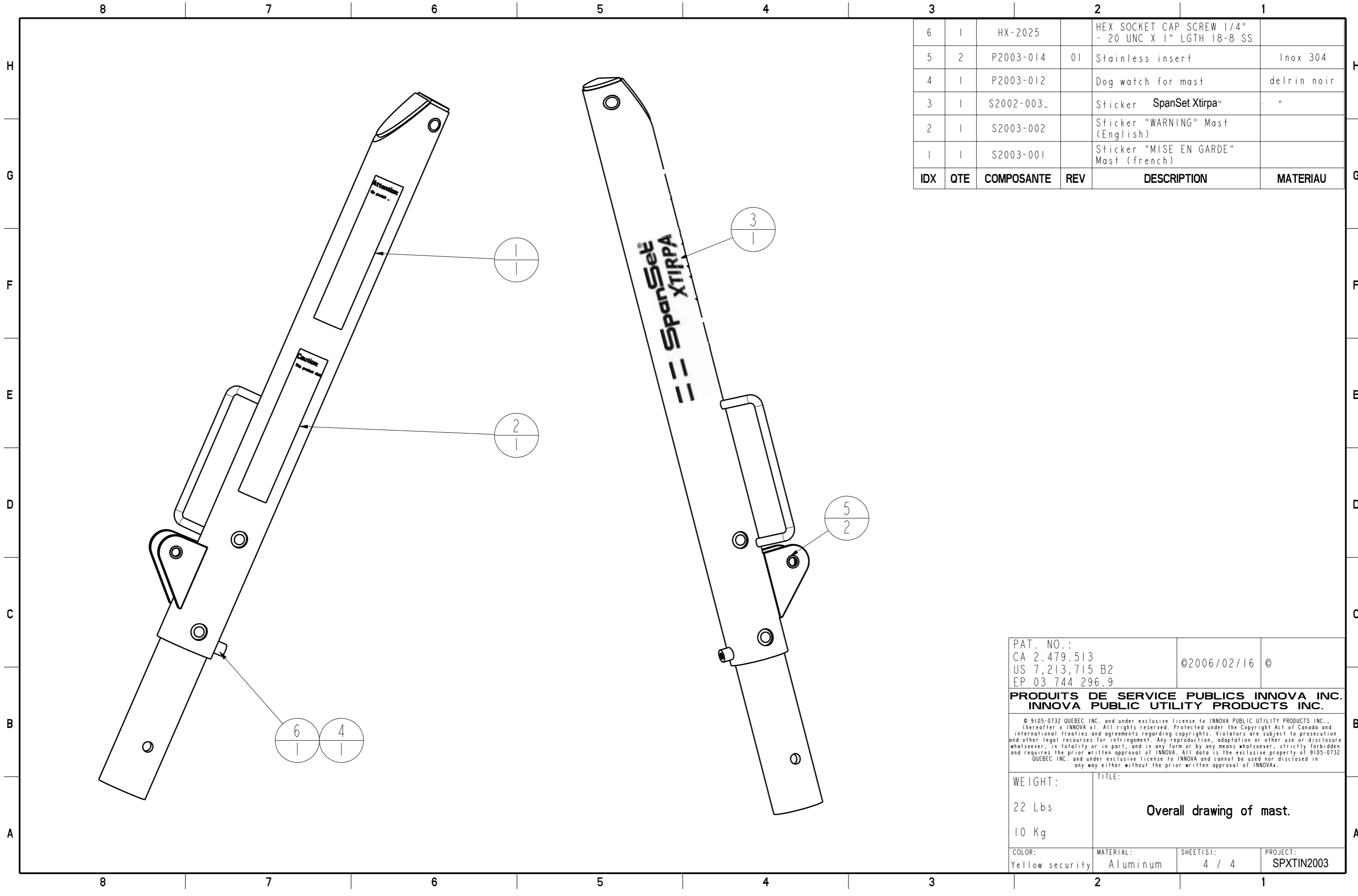
PAT. NO. :	CA 2,479,513 US 7,213,715 B2 EP 03 744 296,9	02006/02/16	0
------------	--	-------------	---

**PRODUITS DE SERVICE PUBLICS INNOVA INC.
 INNOVA PUBLIC UTILITY PRODUCTS INC.**

© 9105-0732 QUEBEC INC. and under exclusive license to INNOVA PUBLIC UTILITY PRODUCTS INC., thereafter ("INNOVA"), All rights reserved. Protected under the Copyright Act of Canada and international treaties and agreements regarding copyrights. Violators are subject to prosecution and other legal recourse for infringement. Any reproduction, adaptation or other use or disclosure (whenever, in whole or in part), and in any form or by any means whatsoever, strictly forbidden and requires the prior written approval of INNOVA. All data is the exclusive property of 9105-0732 QUEBEC INC. and under exclusive license to INNOVA and cannot be used nor disclosed in any way either without the prior written approval of INNOVA.

WEIGHT:	TITLE:		
22 Lbs	Mast		
10 Kg			
COLOR:	MATERIAL:	SHEET(S):	PROJECT:
Yellow security	Aluminum	3 / 4	SPXTIN2003

Stamping space



6	5	4	3	2	1
IDX	QTE	COMPOSANTE	REV	DESCRIPTION	MATERIAU
6	1	HX-2025		HEX SOCKET CAP SCREW 1/4" - 20 UNC X 1" LGTH 18-8 SS	
5	2	P2003-014	01	Stainless insert	Inox 304
4	1	P2003-012		Dog watch for mast	delrin noir
3	1	S2002-003		Sticker "SpanSet Xtirpa"	"
2	1	S2003-002		Sticker "WARNING" Mast (English)	
1	1	S2003-001		Sticker "MISE EN GARDE" Mast (french)	

PAT. NO. : CA 2.479.513 US 7,213,715 B2 EP 03 744 296.9		©2006/02/16 ©	
PRODUITS DE SERVICE PUBLICS INNOVA INC. INNOVA PUBLIC UTILITY PRODUCTS INC.			
<small>© 9105-0732 QUEBEC INC. and under exclusive license to INNOVA PUBLIC UTILITY PRODUCTS INC., (hereafter « INNOVA »). All rights reserved. Protected under the Copyright Act of Canada and international treaties and agreements regarding copyrights. Violators are subject to prosecution and other legal recourses for infringement. Any reproduction, adaptation or other use or disclosure whatsoever, in totality or in part, and in any form or by any means whatsoever, strictly forbidden and requires the prior written approval of INNOVA. All data is the exclusive property of 9105-0732 QUEBEC INC. and under exclusive license to INNOVA and cannot be used nor disclosed in any way either without the prior written approval of INNOVA.</small>			
WEIGHT:	TITLE:		
22 Lbs	Overall drawing of mast.		
10 Kg			
COLOR:	MATERIAL:	SHEET(S):	PROJECT:
Yellow security	Aluminum	4 / 4	SPXTIN2003