

SPXTIN2006-01: Flush Floor Adapter



SpanSet Australia Ltd

150 Old Bathurst Road
Emu Plains
NSW 2750
Australia

Telephone

+61 2 4735 3955

Fax

+61 2 4735 3630

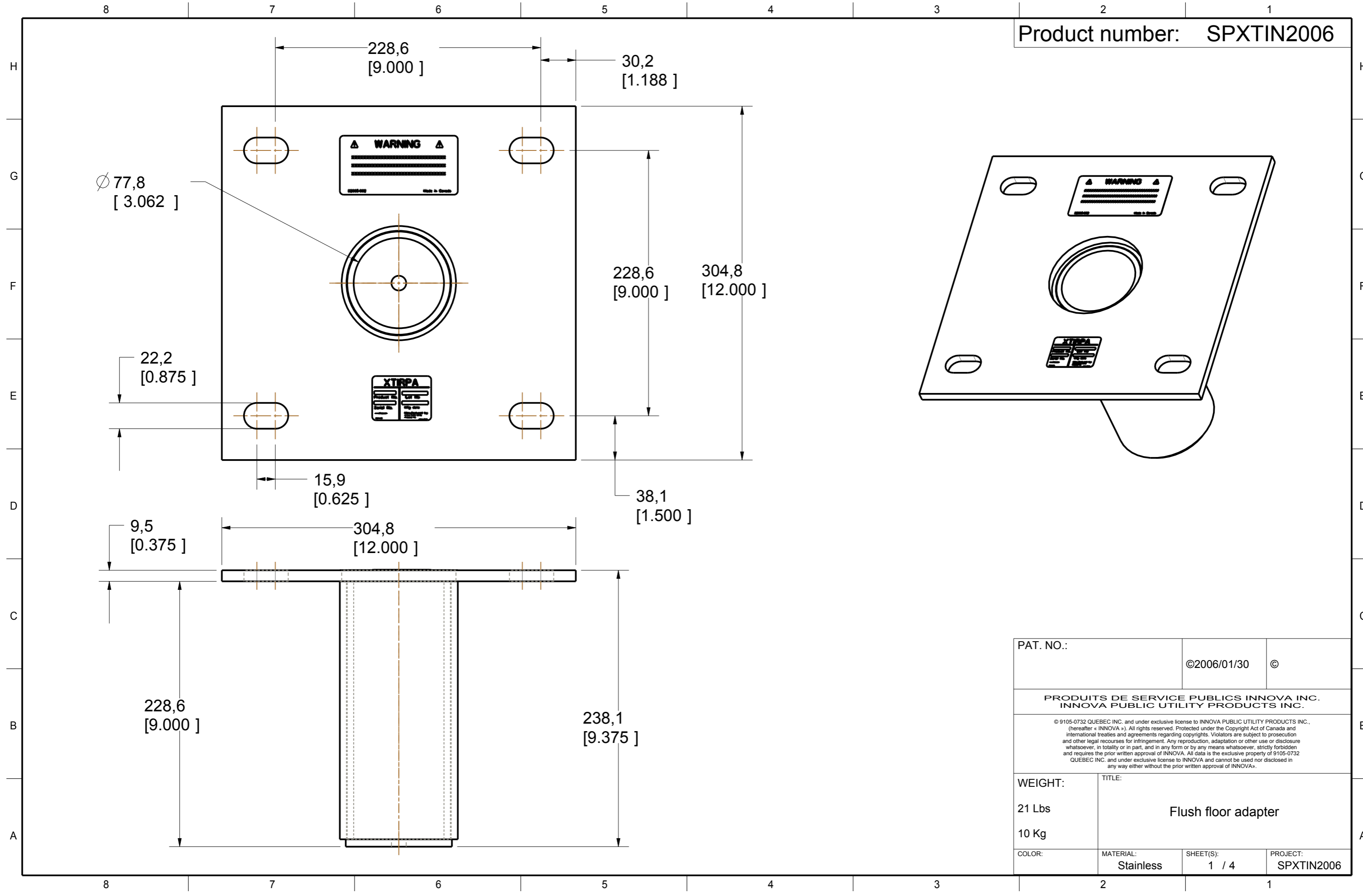
E-mail

sales@spanset.com.au

Internet

www.spanset.com.au

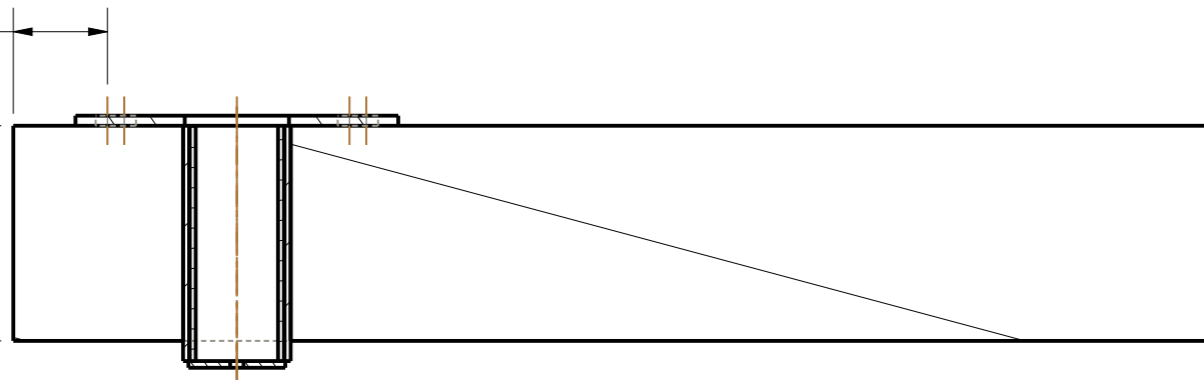
Product number: SPXTIN2006



PAT. NO.:		©2006/01/30 ©	
PRODUITS DE SERVICE PUBLICS INNOVA INC. INNOVA PUBLIC UTILITY PRODUCTS INC.			
© 9105-0732 QUEBEC INC. and under exclusive license to INNOVA PUBLIC UTILITY PRODUCTS INC., (hereafter « INNOVA »). All rights reserved. Protected under the Copyright Act of Canada and international treaties and agreements regarding copyrights. Violators are subject to prosecution and other legal recourses for infringement. Any reproduction, adaptation or other use or disclosure whatsoever, in totality or in part, and in any form or by any means whatsoever, strictly forbidden and requires the prior written approval of INNOVA. All data is the exclusive property of 9105-0732 QUEBEC INC. and under exclusive license to INNOVA and cannot be used nor disclosed in any way either without the prior written approval of INNOVA.			
WEIGHT:	TITLE:		
21 Lbs	Flush floor adapter		
10 Kg			
COLOR:	MATERIAL:	SHEET(S):	PROJECT:
	Stainless	1 / 4	SPXTIN2006

Min Distance
Recommended
.88,9
[3.500]

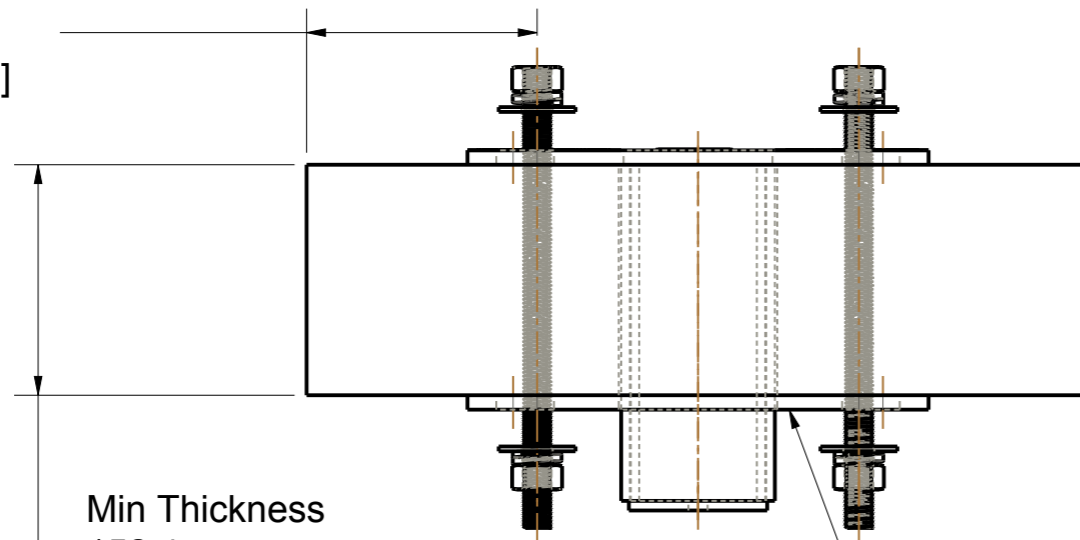
Full Thickness Installation



Min Thickness
203,2
[8.000]

Min Distance
First Bolt
152,4
[6.000]

Sandwich Installation Type



Min Thickness
152,4
[6.000]

Sandwich Plate

SPXTIN2006 Base Installation Requirements

Recommandations:

Concrete must be made of 0,2% brut area reinforced 2000psi (13.8 MPa) or better. Minimum thickness of 8" (203mm).

Moment capacity:
120,000 lbf-in (13,558 N-m)
Vertical load: 5,000 lbf (22,241 N).
N.B. It is the responsibility of the field Engineer to assure the installation and capacity of the floor and wall structures.

Hardware:

Anchor bolts: Chemical setting 3/4" x 6-5/8" effective holding length and made of 304/316 stainless steel.
Max pulling strength: 17,000 lbf (75,620N N)
To be installed with 3/4" stainless steel washers.

PAT. NO.:		©2006/01/30	©
PRODUITS DE SERVICE PUBLICS INNOVA INC. INNOVA PUBLIC UTILITY PRODUCTS INC.			
<small>© 9105-0732 QUEBEC INC. and under exclusive license to INNOVA PUBLIC UTILITY PRODUCTS INC., (hereafter « INNOVA »). All rights reserved. Protected under the Copyright Act of Canada and international treaties and agreements regarding copyrights. Violators are subject to prosecution and other legal recourses for infringement. Any reproduction, adaptation or other use or disclosure whatsoever, in totality or in part, and in any form or by any means whatsoever, strictly forbidden and requires the prior written approval of INNOVA. All data is the exclusive property of 9105-0732 QUEBEC INC. and under exclusive license to INNOVA and cannot be used nor disclosed in any way either without the prior written approval of INNOVA.</small>			
WEIGHT:	TITLE:		
21 Lbs	Flush floor adapter		
10 Kg			
COLOR:	MATERIAL:	SHEET(S):	PROJECT:
	Stainless	2 / 4	SPXTIN2006

8 7 6 5 4 3 2 1

SPECIFICATIONS

H This product is man rated with a maximum working capacity of 360lbs (164kg). It is only to be used in conjunction with personal fall arrest equipment that limits the maximum arrest force (MAF).

Maximum Working Moment : 976 N-m (8,640 lbf-in)
Maximum Moment : 13,558 N-m (120,000 lbf-in)

G

STANDARDS

F Meets the following standards:
OSHA Personal fall arrest system - 1910.66 App C
ANSI Safety requirements for personal fall arrest system, subsystems and components Z359.1 (R1999) / 2007
CAN/CSA Fall arresters, vertical lifelines, and rails Z259.2.1-98

E

MATERIAL AND CONSTRUCTION

D Plate, gussets and sleeve : 304 Stainless Steel
Sleeve bearing : PVC Pipe
Welding Certification : CSA W59 & W47.1, AWS D1.6

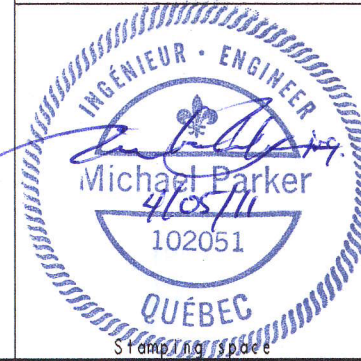
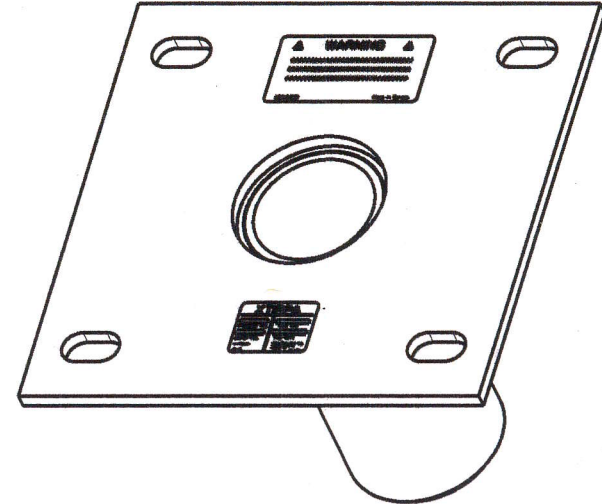
C

RESTRICTIONS

IMPORTANT :

B Adaptors are designed to function only with Innova public utility products INC. equipment. Anchorage hardware must be installed by qualified and experienced personnel. The installer must follow the anchorage hardware manufacturers recommendations at all time. Periodic inspections of hardware must be done. All equipment and hardware must be inspected before re-using by qualified personnel when a fall has occurred.

Product number SPXTIN2006

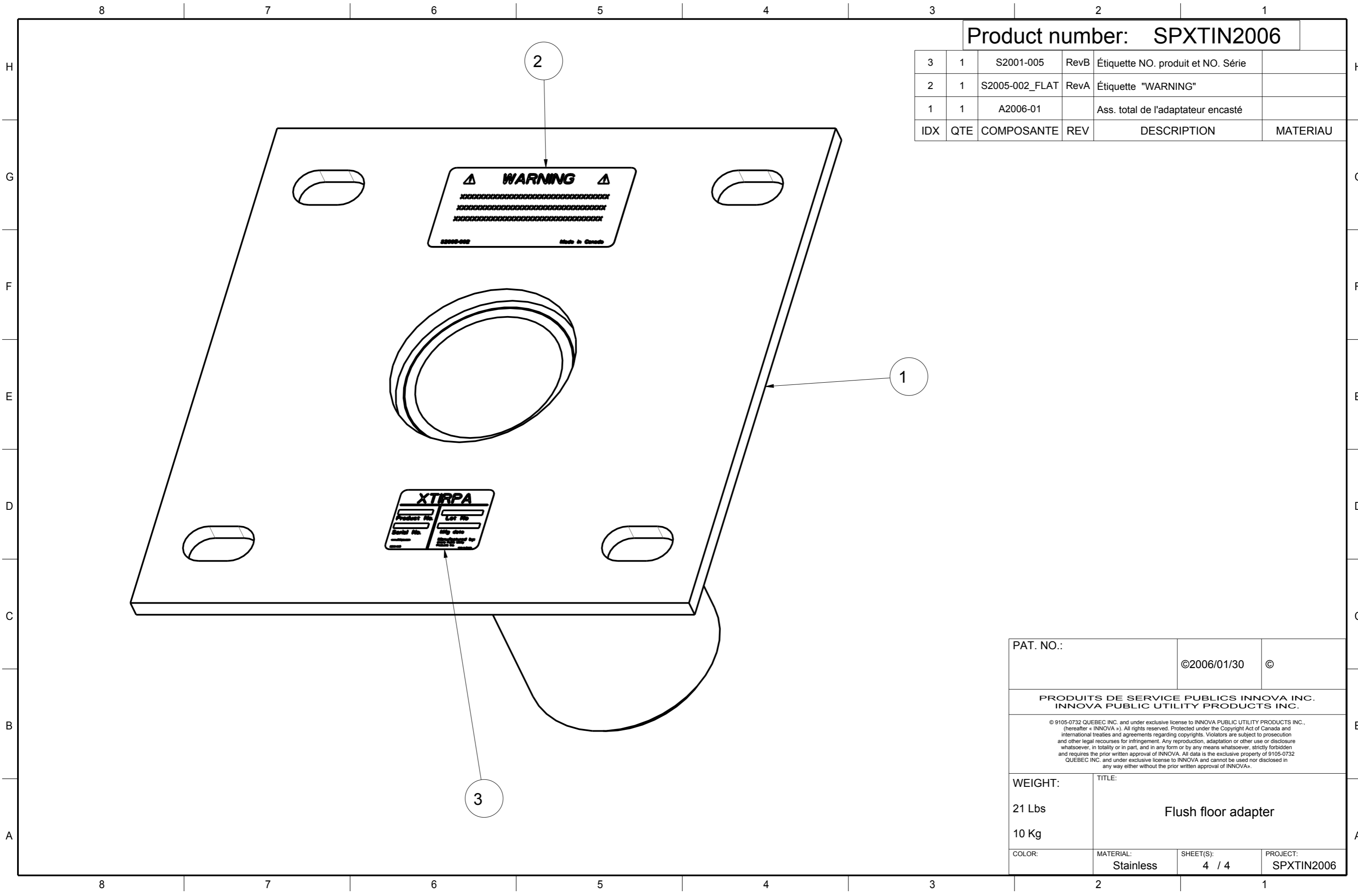


PAT. NO.:	02006/01/30	©
-----------	-------------	---

**PRODUITS DE SERVICE PUBLICS INNOVA INC.
INNOVA PUBLIC UTILITY PRODUCTS INC.**

© 9105-0732 QUEBEC INC. and under exclusive license to INNOVA PUBLIC UTILITY PRODUCTS INC., (hereafter "INNOVA"). All rights reserved. Protected under the Copyright Act of Canada and international treaties and agreements regarding copyrights. Violators are subject to prosecution and other legal recourse for infringement. Any reproduction, adaptation or other use or disclosure whatsoever, in whole or in part, and in any form or by any means whatsoever, strictly forbidden and requires the prior written approval of INNOVA. All data is the exclusive property of 9105-0732 QUEBEC INC. and under exclusive license to INNOVA and cannot be used nor disclosed in any way either without the prior written approval of INNOVA.

WEIGHT:	TITLE:		
21 Lbs	Flush floor adapter		
10 Kg	COLOR:	MATERIAL:	SHEET(S):
		Stainless	3 / 4
			PROJECT:
			SPXTIN2006



Product number: **SPXTIN2006**

3	1	S2001-005	RevB	Étiquette NO. produit et NO. Série	
2	1	S2005-002_FLAT	RevA	Étiquette "WARNING"	
1	1	A2006-01		Ass. total de l'adaptateur encastré	
IDX	QTE	COMPOSANTE	REV	DESCRIPTION	MATERIAU

PAT. NO.:		©2006/01/30	©
PRODUITS DE SERVICE PUBLICS INNOVA INC. INNOVA PUBLIC UTILITY PRODUCTS INC.			
<small>© 9105-0732 QUEBEC INC. and under exclusive license to INNOVA PUBLIC UTILITY PRODUCTS INC., (hereafter « INNOVA »). All rights reserved. Protected under the Copyright Act of Canada and international treaties and agreements regarding copyrights. Violators are subject to prosecution and other legal recourses for infringement. Any reproduction, adaptation or other use or disclosure whatsoever, in totality or in part, and in any form or by any means whatsoever, strictly forbidden and requires the prior written approval of INNOVA. All data is the exclusive property of 9105-0732 QUEBEC INC. and under exclusive license to INNOVA and cannot be used nor disclosed in any way either without the prior written approval of INNOVA.</small>			
WEIGHT:	TITLE:		
21 Lbs	Flush floor adapter		
10 Kg			
COLOR:	MATERIAL:	SHEET(S):	PROJECT:
	Stainless	4 / 4	SPXTIN2006