

SPXTIN2007-01: Fresh Concrete Floor Adapter



SpanSet Australia Ltd

13 Pullman Place
Emu Plains
NSW 2750
Australia

Telephone

+61 2 4735 3955

Fax

+61 2 4735 3630

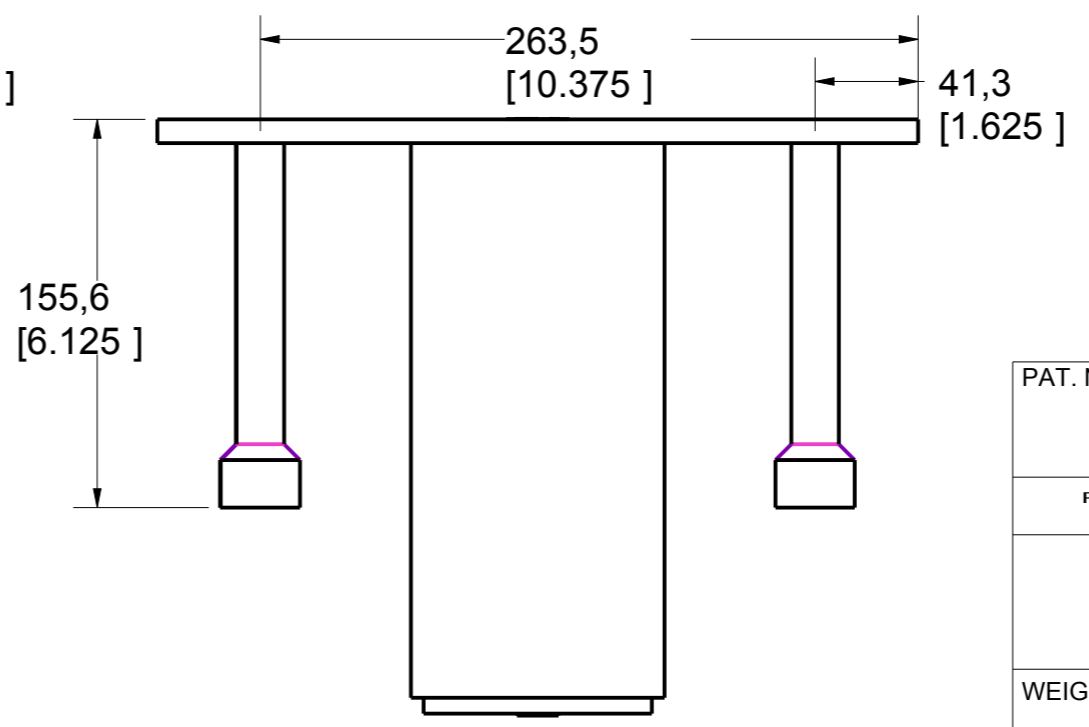
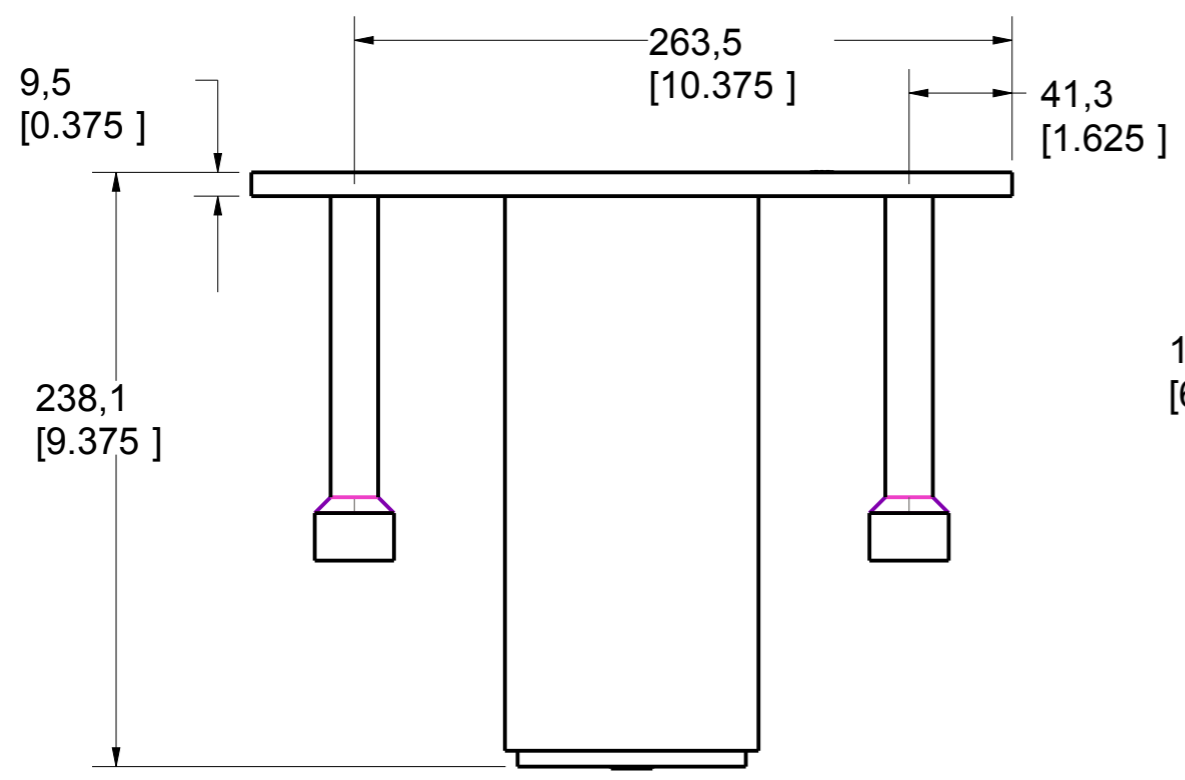
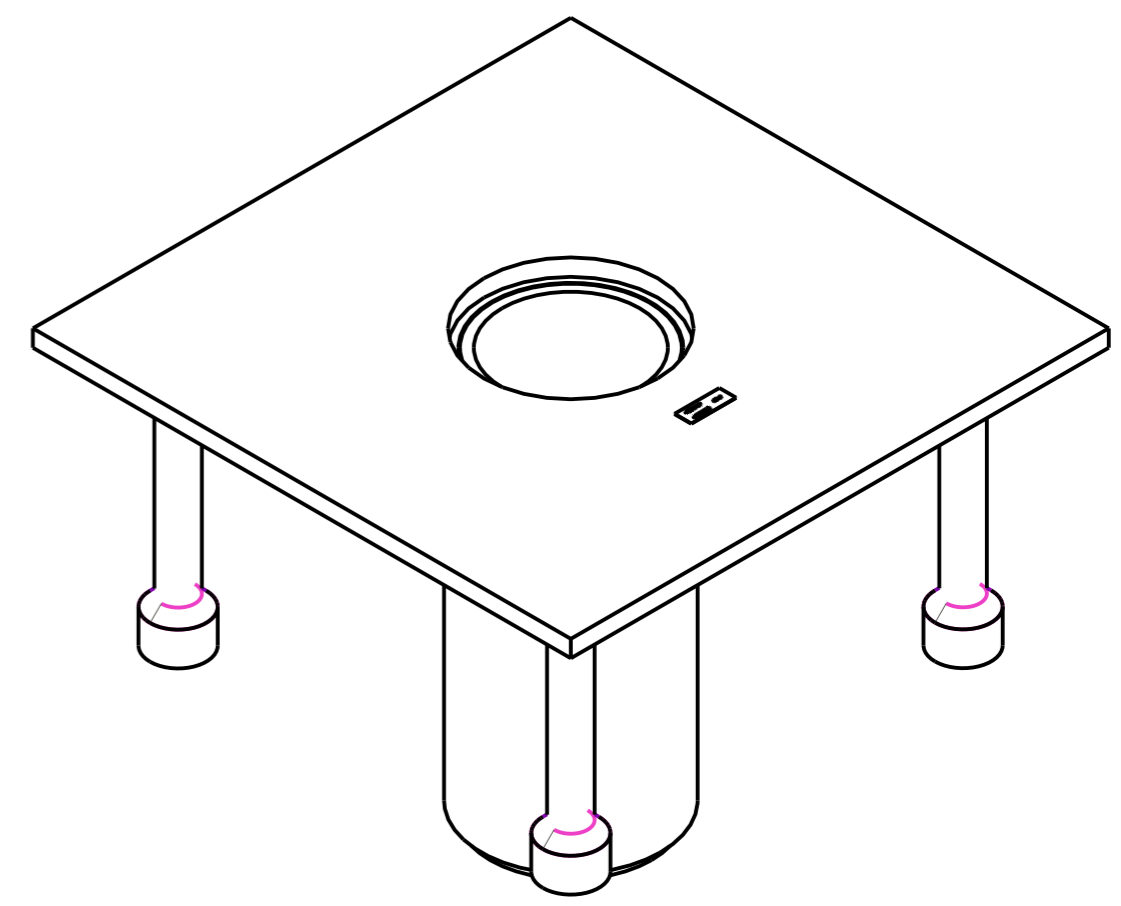
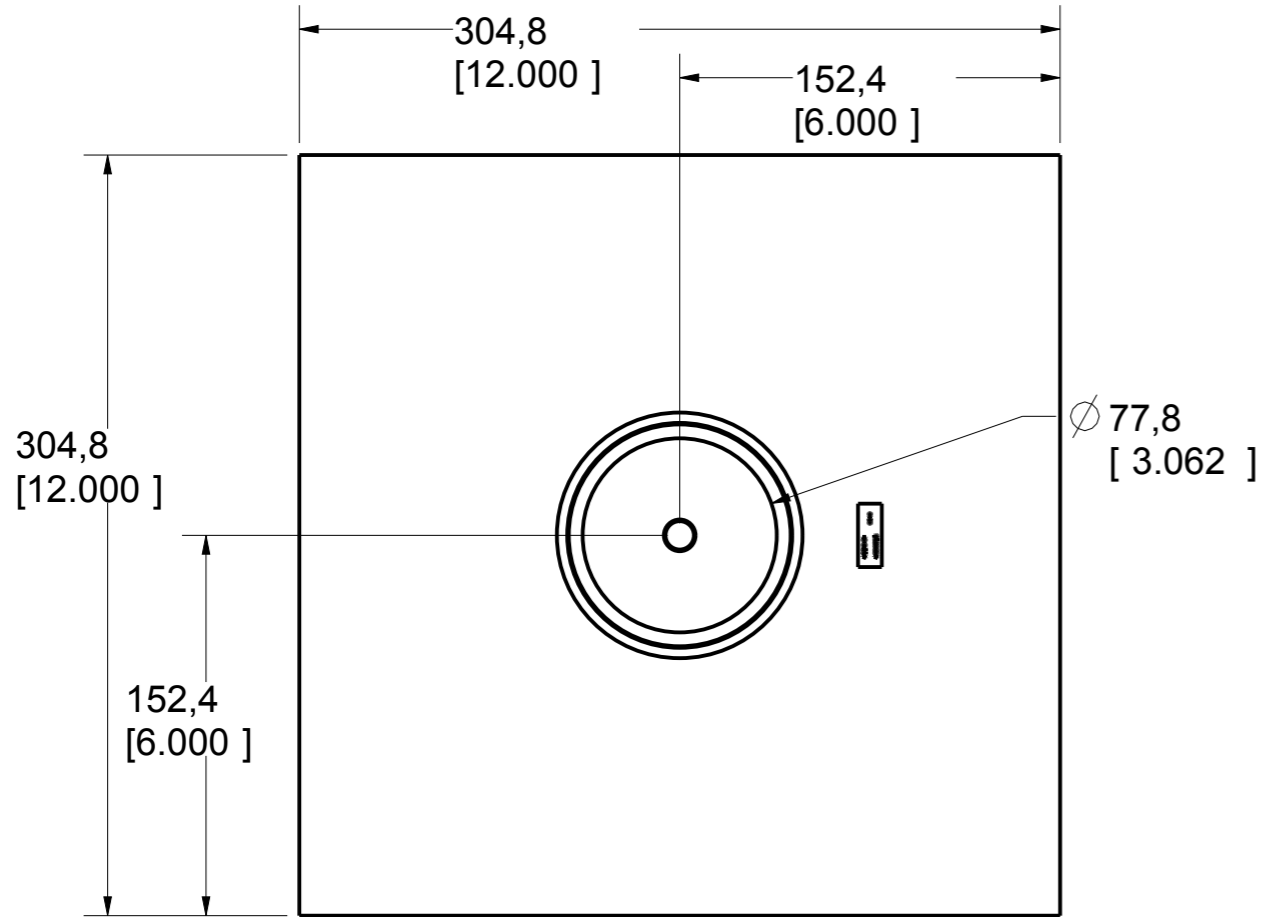
E-mail

sales@spanset.com.au

Internet

www.spanset.com.au

Product number: SPXTIN2007



PAT. NO.:		©2006/09/25	©
PRODUITS DE SERVICE PUBLICS INNOVA INC. INNOVA PUBLIC UTILITY PRODUCTS INC.			
© 9105-0732 QUEBEC INC. and under exclusive license to INNOVA PUBLIC UTILITY PRODUCTS INC., (hereafter « INNOVA »). All rights reserved. Protected under the Copyright Act of Canada and international treaties and agreements regarding copyrights. Violators are subject to prosecution and other legal recourses for infringement. Any reproduction, adaptation or other use or disclosure whatsoever, in totality or in part, and in any form or by any means whatsoever, strictly forbidden and requires the prior written approval of INNOVA. All data is the exclusive property of 9105-0732 QUEBEC INC. and under exclusive license to INNOVA and cannot be used nor disclosed in any way either without the prior written approval of INNOVA.			
WEIGHT:	TITLE:		
26 Lbs	Fresh concrete floor adapter		
12 Kg			
COLOR:	MATERIAL:	SHEET(S):	PROJECT:
	Stainless	1 / 4	SPXTIN2007

Distance between center of mast and Davit arm cable.

610
[24]

Recommandations:

Concrete must be made of 0,2% brut area reinforced 2000psi (13.8 MPa) or better.

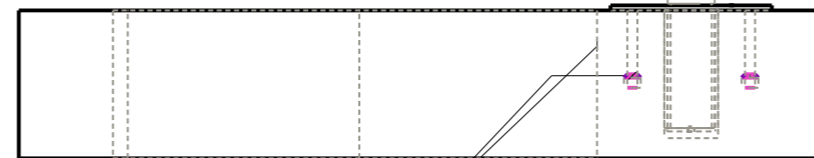
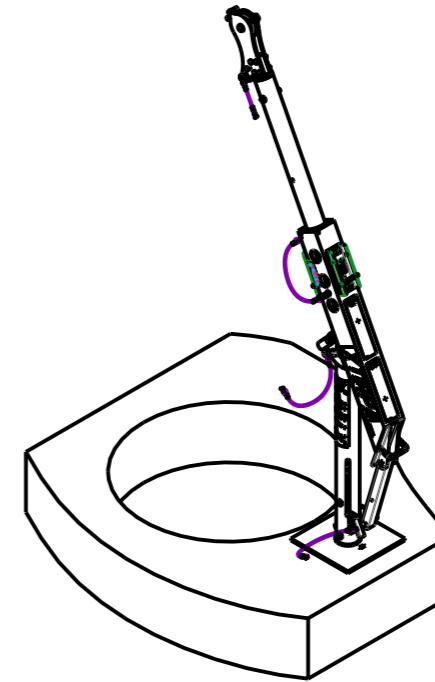
Minimum thickness of 8" (203mm).

Moment capacity:

120,000 lb-po (13,558 N-m)

Vertical load: 5,000 lb (22,241 N).

N.B. It is the responsibility of the field Engineer to assure the installation and capacity of the floor and wall structures.



Recommended min distance

6" (152 mm) for slab > 6-1/2" (165 mm)

3-1/2" (89 mm) for slab > 8" (203 mm)

SPXTIN2007 Base Installation Requirements

PAT. NO.:		©2006/09/25	©
PRODUITS DE SERVICE PUBLICS INNOVA INC. INNOVA PUBLIC UTILITY PRODUCTS INC.			
© 9105-0732 QUEBEC INC. and under exclusive license to INNOVA PUBLIC UTILITY PRODUCTS INC., (hereafter « INNOVA »). All rights reserved. Protected under the Copyright Act of Canada and international treaties and agreements regarding copyrights. Violators are subject to prosecution and other legal recourses for infringement. Any reproduction, adaptation or other use or disclosure whatsoever, in totality or in part, and in any form or by any means whatsoever, strictly forbidden and requires the prior written approval of INNOVA. All data is the exclusive property of 9105-0732 QUEBEC INC. and under exclusive license to INNOVA and cannot be used nor disclosed in any way either without the prior written approval of INNOVA.			
WEIGHT:	TITLE:		
26 Lbs	Fresh concrete floor adapter		
12 Kg			
COLOR:	MATERIAL:	SHEET(S):	PROJECT:
	Stainless	2 / 4	SPXTIN2007

8 7 6 5 4 3 2 1

SPECIFICATIONS

H This product is man rated with a maximum working capacity of 360lbs (164kg). It is only to be used in conjunction with personal fall arrest equipment that limits the maximum arerst force (MAF).

G Maximum Working Moment : 976 N-m (8,640 lbf-in)
Maximum Moment : 13,558 N-m (120,000 lbf-in)

F STANDARDS

Meets the following standards:
OSHA Personal fall arrest system - 1910.66 App C
ANSI Safety requirements for personal fall arrest system, subsystems and components Z359.1 / 2007
CAN/CSA Fall arresters, vertical lifelines, and rails Z259.2.1-98

E MATERIAL AND CONSTRUCTION

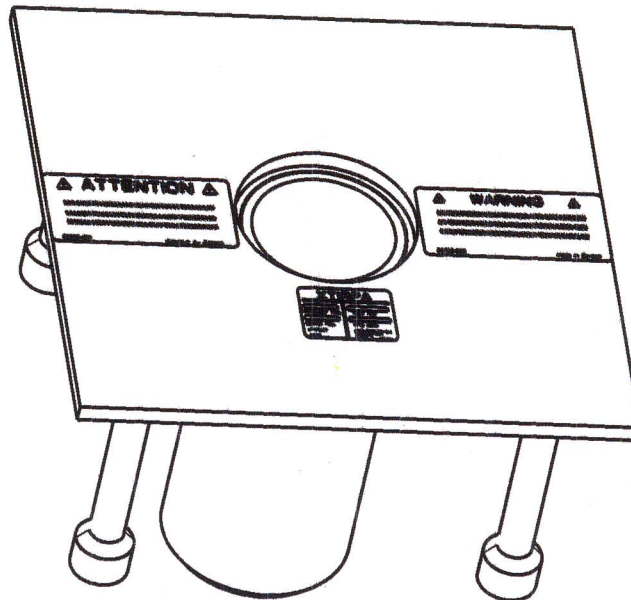
D Plate, gussets and sleeve : 304 Stainless Steel
Sleeve bearing : PVC Pipe.
Welding Certification : CSA W59 & W47.1, AWS D1.6

C RESTRICTIONS

IMPORTANT :

B Adaptors are designed to function only with Innova public utility products INC. equipment.
All equipment and hardware must be inspected before re-using by qualified personnel when a fall has accured.

Product number SPXTIN2007

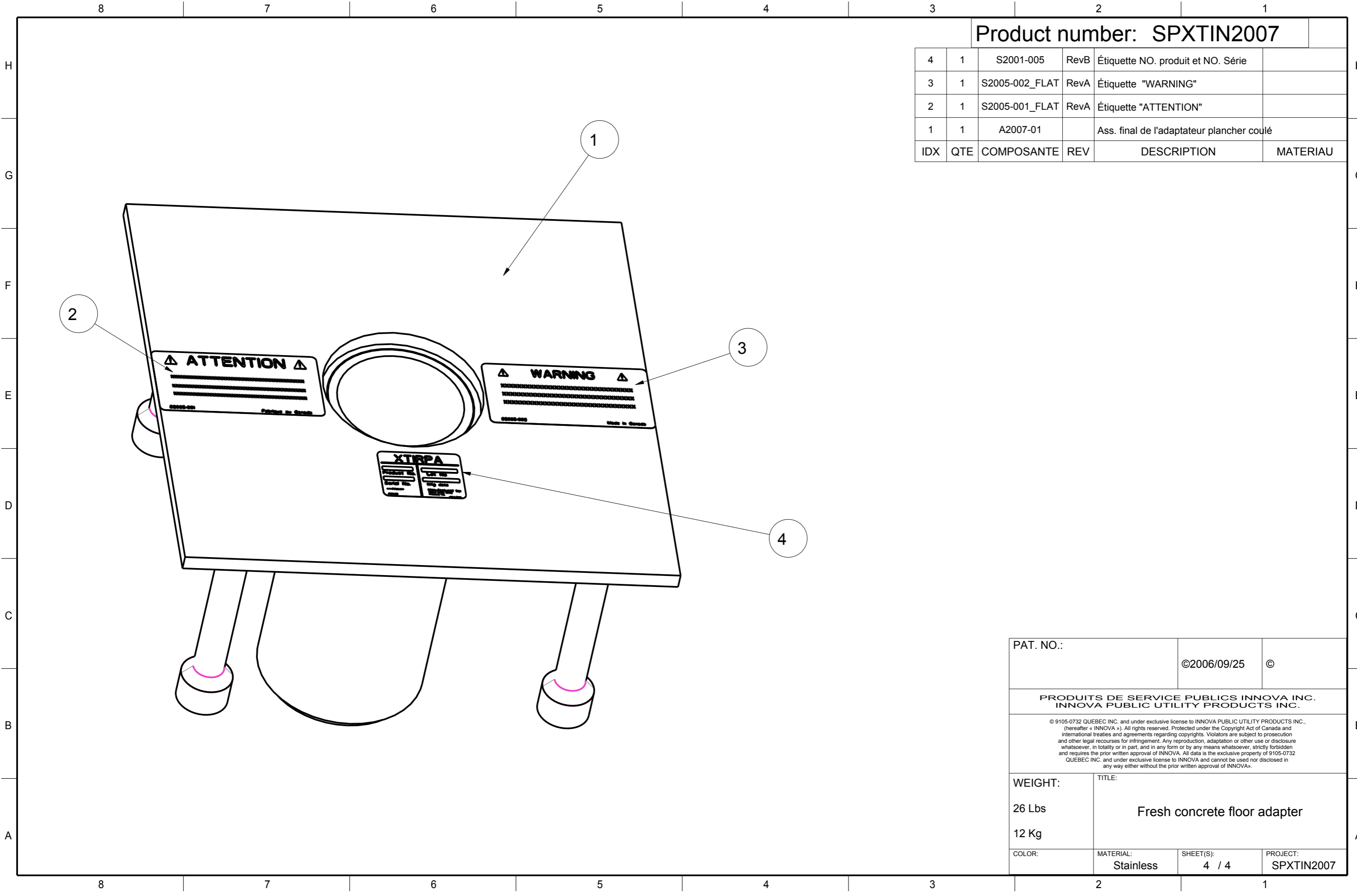


PAT. NO.:	©2006/09/25 ©
-----------	---------------

PRODUITS DE SERVICE PUBLICS INNOVA INC.
INNOVA PUBLIC UTILITY PRODUCTS INC.

© 9105-0732 QUEBEC INC. and under exclusive license to INNOVA PUBLIC UTILITY PRODUCTS INC. (Inventeur : INNOVA I). All rights reserved. Protected under the Copyright Act of Canada and international treaties and agreements regarding copyrights. Violators are subject to prosecution and other legal recourse for infringement. Any reproduction, adaptation or other use or disclosure whatsoever, in totality or in part, and in any form or by any means whatsoever, strictly forbidden and requires the prior written approval of INNOVA. All data is the exclusive property of 9105-0732 QUEBEC INC. and under exclusive license to INNOVA and cannot be used nor disclosed in any way either without the prior written approval of INNOVA.

WEIGHT:	TITLE:		
26 Lbs	Fresh concrete floor adapter		
12 Kg			
COLOR:	MATERIAL:	SHEET(S):	PROJECT:
	Stainless	3 / 4	SPXTIN2007



Product number: SPXTIN2007

IDX	QTE	COMPOSANTE	REV	DESCRIPTION	MATERIAU
4	1	S2001-005	RevB	Étiquette NO. produit et NO. Série	
3	1	S2005-002_FLAT	RevA	Étiquette "WARNING"	
2	1	S2005-001_FLAT	RevA	Étiquette "ATTENTION"	
1	1	A2007-01		Ass. final de l'adaptateur plancher coulé	

PAT. NO.:		©2006/09/25	©
PRODUITS DE SERVICE PUBLICS INNOVA INC. INNOVA PUBLIC UTILITY PRODUCTS INC.			
© 9105-0732 QUEBEC INC. and under exclusive license to INNOVA PUBLIC UTILITY PRODUCTS INC., (hereafter « INNOVA »). All rights reserved. Protected under the Copyright Act of Canada and international treaties and agreements regarding copyrights. Violators are subject to prosecution and other legal recourses for infringement. Any reproduction, adaptation or other use or disclosure whatsoever, in totality or in part, and in any form or by any means whatsoever, strictly forbidden and requires the prior written approval of INNOVA. All data is the exclusive property of 9105-0732 QUEBEC INC. and under exclusive license to INNOVA and cannot be used nor disclosed in any way either without the prior written approval of INNOVA.			
WEIGHT:	TITLE:		
26 Lbs	Fresh concrete floor adapter		
12 Kg			
COLOR:	MATERIAL:	SHEET(S):	PROJECT:
	Stainless	4 / 4	SPXTIN2007