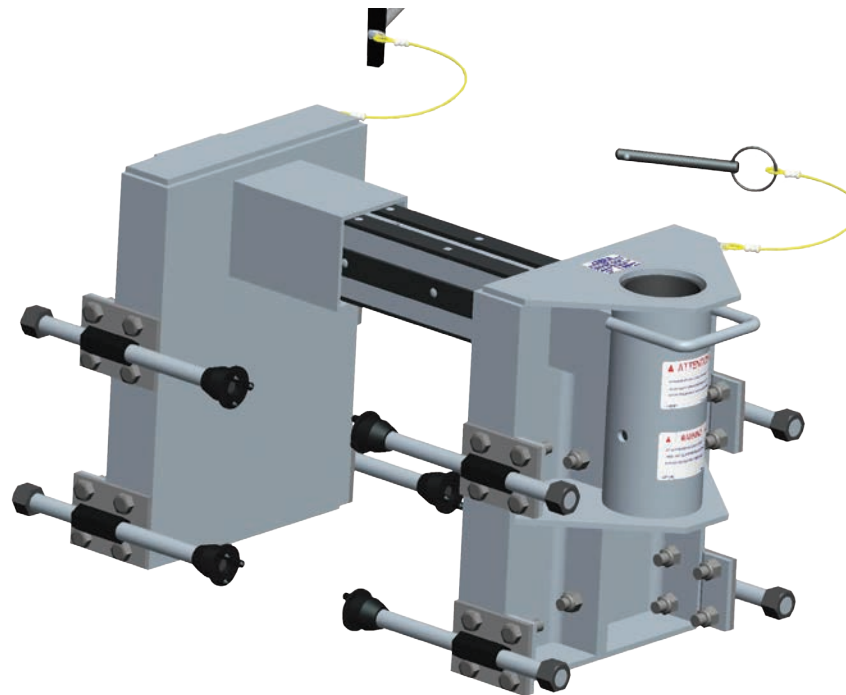


SPXTIN2008-01: Adjustable Barrel Adapter



SpanSet Australia Ltd

150 Old Bathurst Road
Emu Plains
NSW 2750
Australia

Telephone

+61 2 4735 3955

Fax

+61 2 4735 3630

E-mail

sales@spanset.com.au

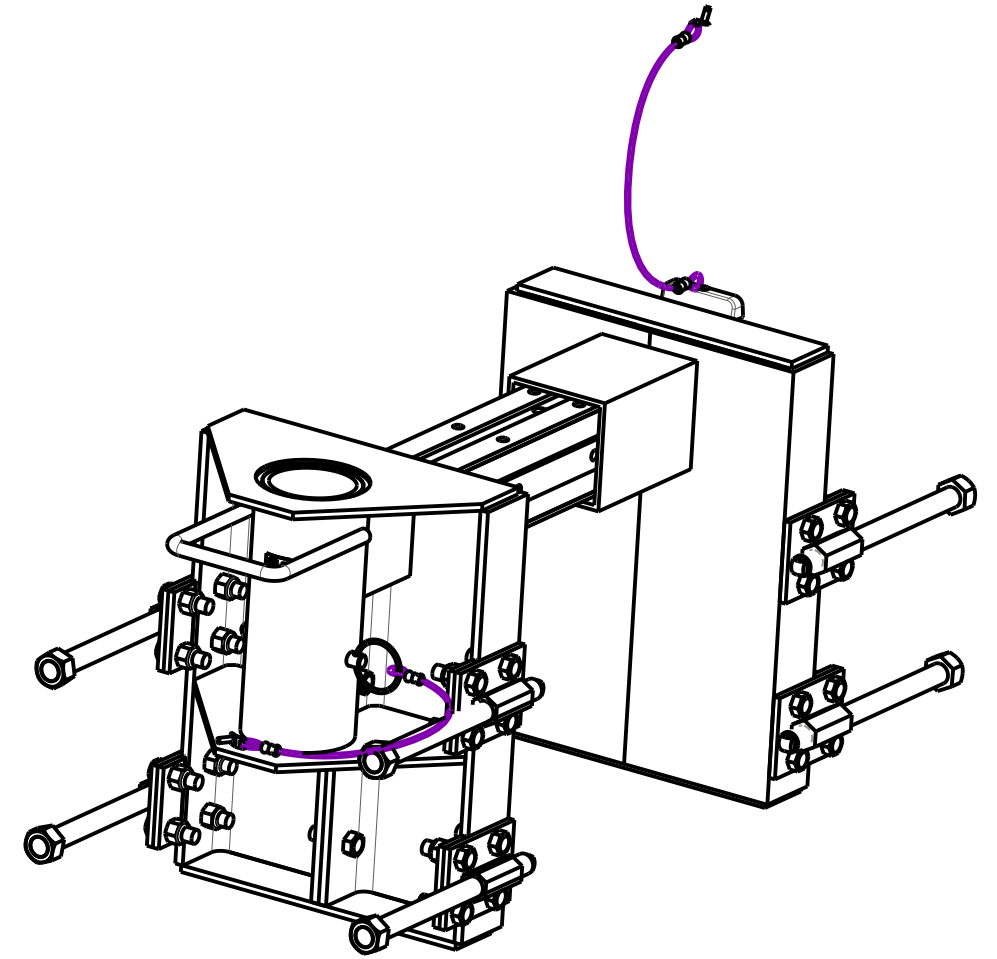
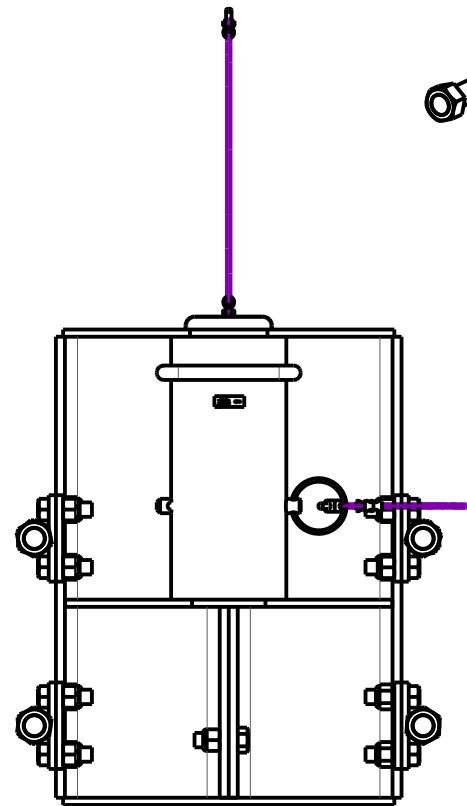
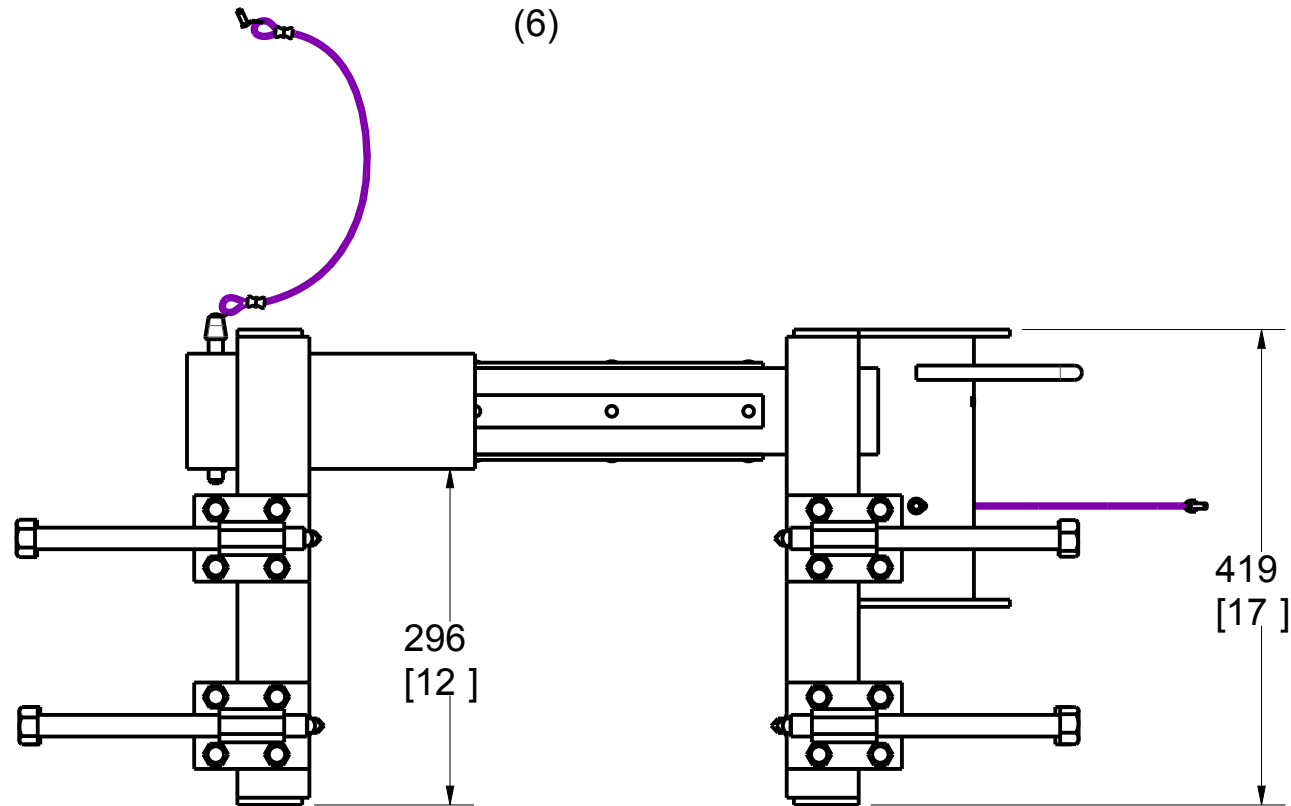
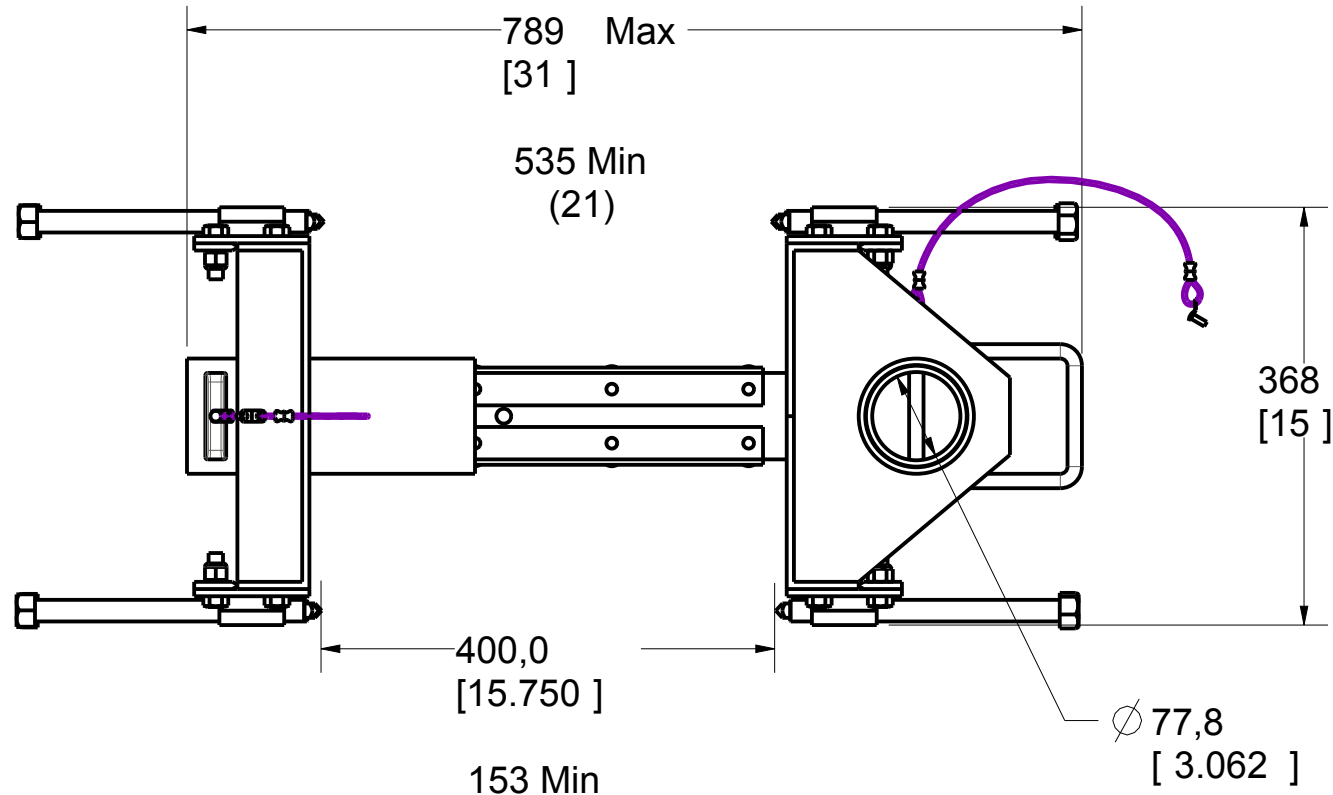
Internet

www.spanset.com.au

8 7 6 5 4 3 2 1

H
G
F
E
D
C
B
A

H
G
F
E
D
C
B
A



| | | |
|-----------|-------------|---|
| PAT. NO.: | ©2006/12/07 | © |
|-----------|-------------|---|

PRODUITS DE SERVICE PUBLICS INNOVA INC.
INNOVA PUBLIC UTILITY PRODUCTS INC.

© 9105-0732 QUEBEC INC. and under exclusive license to INNOVA PUBLIC UTILITY PRODUCTS INC., (hereafter « INNOVA »). All rights reserved. Protected under the Copyright Act of Canada and international treaties and agreements regarding copyrights. Violators are subject to prosecution and other legal recourses for infringement. Any reproduction, adaptation or other use or disclosure whatsoever, in totality or in part, and in any form or by any means whatsoever, strictly forbidden and requires the prior written approval of INNOVA. All data is the exclusive property of 9105-0732 QUEBEC INC. and under exclusive license to INNOVA and cannot be used nor disclosed in any way either without the prior written approval of INNOVA.

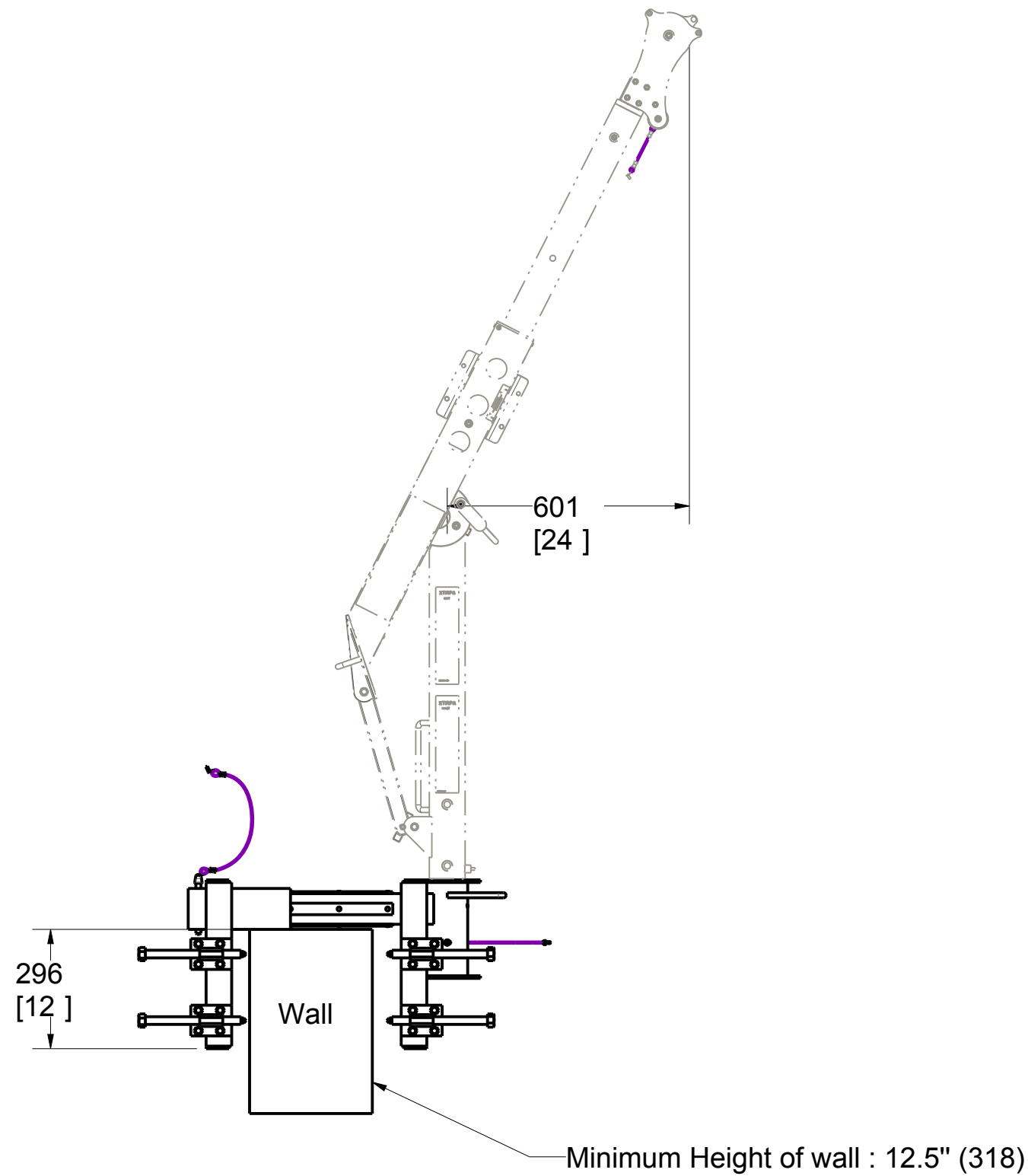
| | | | |
|-----------------|---------------------------|-----------|------------|
| WEIGHT: | TITLE: | | |
| 64 Lbs | adjustable barrel adapter | | |
| 29 Kg | 6" to 15 3/4" | | |
| COLOR: | MATERIAL: | SHEET(S): | PROJECT: |
| Yellow security | Aluminum | 1 / 5 | SPXTIN2008 |

8 7 6 5 4 3 2 1

Recommandations:

Concrete must be made of 0,2% brut area reinforced 2000psi (13.8 MPa) or better.
 Minimum thickness of 7" (178mm).
 OR
 Concrete 2000psi (13.8 MPa) or better.
 Minimum thickness of 11 1/4" (286mm).

Moment capacity:
 120,000 lbf-in (13,558 N-m)
 Vertical load: 5,000 lbf (22,241 N).
 N.B. It is the responsability of the field Engineer to assure installation compliance.



| | | | |
|---|---------------------------|-------------|------------|
| PAT. NO.: | | ©2006/12/07 | © |
| PRODUITS DE SERVICE PUBLICS INNOVA INC. INNOVA PUBLIC UTILITY PRODUCTS INC. | | | |
| <small>© 9105-0732 QUEBEC INC. and under exclusive license to INNOVA PUBLIC UTILITY PRODUCTS INC., (hereafter « INNOVA »). All rights reserved. Protected under the Copyright Act of Canada and international treaties and agreements regarding copyrights. Violators are subject to prosecution and other legal recourses for infringement. Any reproduction, adaptation or other use or disclosure whatsoever, in totality or in part, and in any form or by any means whatsoever, strictly forbidden and requires the prior written approval of INNOVA. All data is the exclusive property of 9105-0732 QUEBEC INC. and under exclusive license to INNOVA and cannot be used nor disclosed in any way either without the prior written approval of INNOVA.</small> | | | |
| WEIGHT: | TITLE: | | |
| 64 Lbs | adjustable barrel adapter | | |
| 29 Kg | 6" to 15 3/4" | | |
| COLOR: | MATERIAL: | SHEET(S): | PROJECT: |
| Yellow security | Aluminum | 2 / 5 | SPXTIN2008 |

SPECIFICATIONS

This product is man rated with a maximum working capacity of 360lbs (164kg). It is only to be used in conjunction with personal fall arrest equipment that limits the maximum arrest force (MAF).

Maximum Working Moment : 976 N-m (8640 lbf-in)
 Maximum Moment : 9762 N-m (86400 lbf-in)

STANDARDS

Meets the following standards:
 OSHA Personal fall arrest system - 1910.66 App C
 ANSI Safety requirements for personal fall arrest system, subsystems and components Z359.1 2007
 CAN/CSA Fall arresters, vertical lifelines, and rails Z259.2.1-98

MATERIAL AND CONSTRUCTION

Principal body : Aluminum 6061-T6
 Sleeve bearing : PVC pipe
 Hardware : Zinc plated Steel
 Screw plates : Zinc Plated Steel
 Sliding strips : UHMW
 Pin : Stainless Steel
 Lanyard : Nylon covered Steel Cable
 Welding certification : CSA W47,2M CSA W59 & 47.1, AWS D1.6

RESTRICTIONS

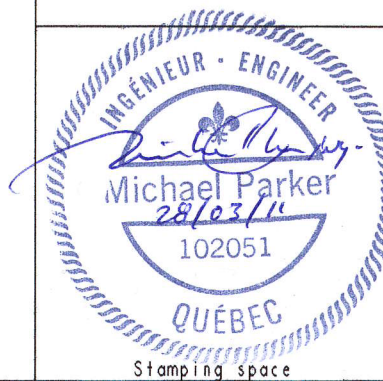
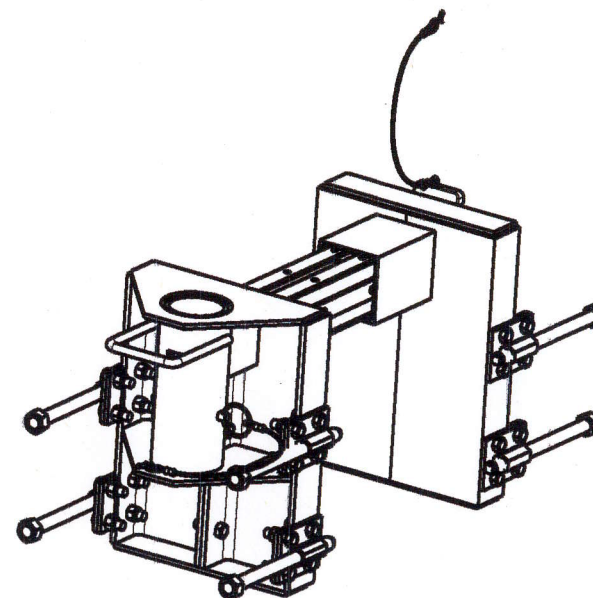
IMPORTANT :

The positioning pin must always be in place when manouvering personnel. Adaptors are designed to function only with Innova public utility products INC. equipment.

Equipment must be inspected before re-using by qualified personnel when a fall has accured.

This product is not intended to be used sideways. It is not considered as a permanent structure and shall be used with care.

Product number SPXTIN2008

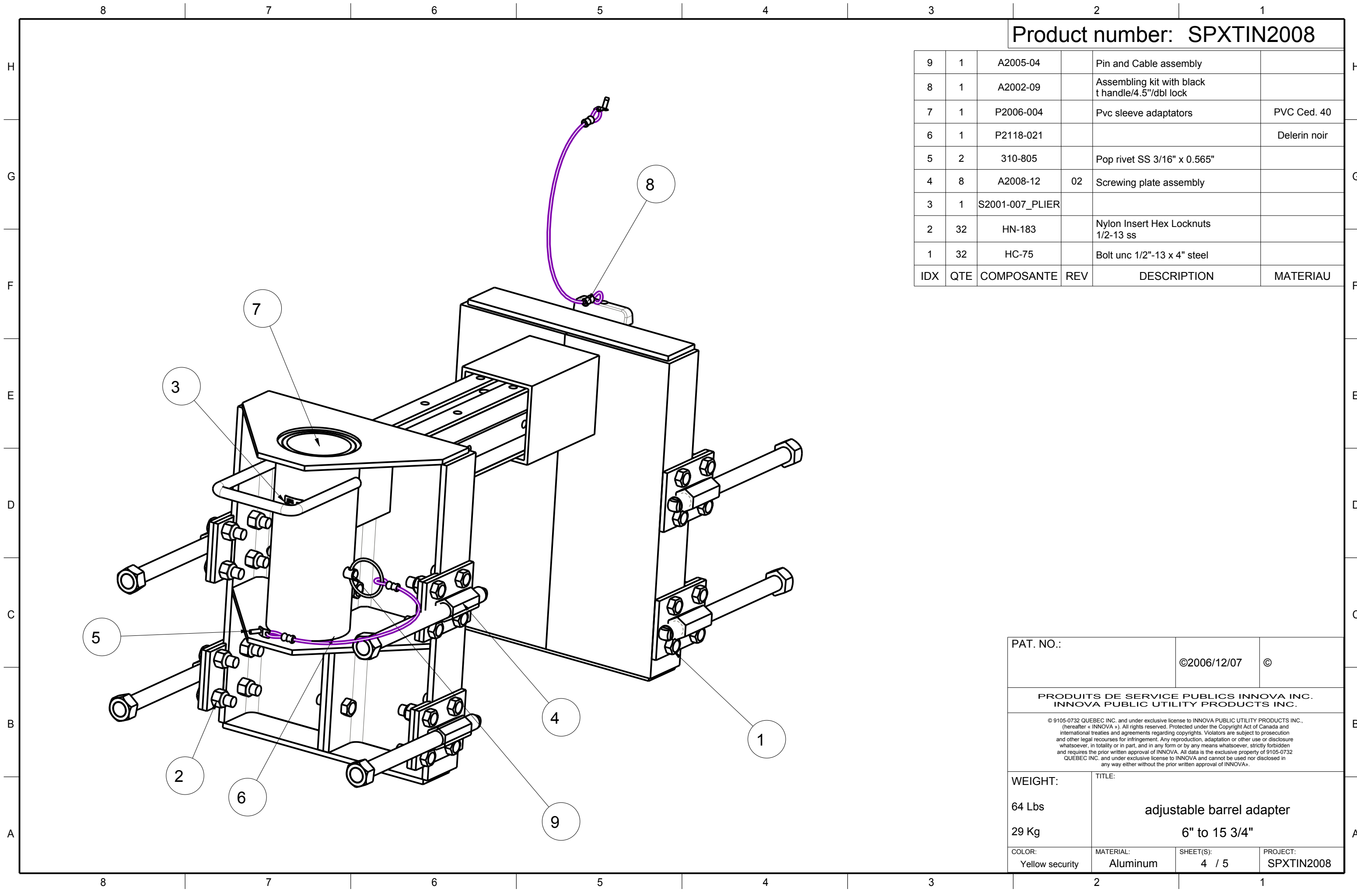


| | |
|------------|---------------|
| PAT. NO. : | ©2006/12/07 © |
|------------|---------------|

**PRODUITS DE SERVICE PUBLICS INNOVA INC.
 INNOVA PUBLIC UTILITY PRODUCTS INC.**

© 0105-0732 QUEBEC INC. and under exclusive license to INNOVA PUBLIC UTILITY PRODUCTS INC., (Inventeur : INNOVA s.l). All rights reserved. Produced under the Copyright Act of Canada and international treaties and agreements regarding copyrights. Violators are subject to prosecution and other legal recourse for infringement. Any reproduction, adaptation or other use or disclosure whatsoever, in totality or in part, and in any form or by any means whatsoever, strictly forbidden and requires the prior written approval of INNOVA. All data is the exclusive property of 0105-0732 QUEBEC INC. and under exclusive license to INNOVA and cannot be used nor disclosed in any way either without the prior written approval of INNOVA.

| | | | |
|-----------------|----------------------------------|-----------|------------|
| WEIGHT: | TITLE: | | |
| 64 Lbs | adjustable barrel adapter | | |
| 29 Kg | 6" to 15 3/4" | | |
| COLOR: | MATERIAL: | SHEET(S): | PROJECT: |
| Yellow security | Aluminum | 3 / 5 | SPXTIN2008 |

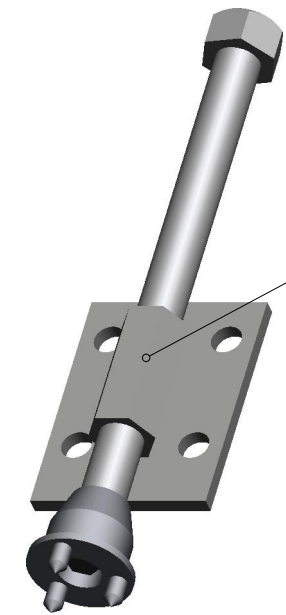
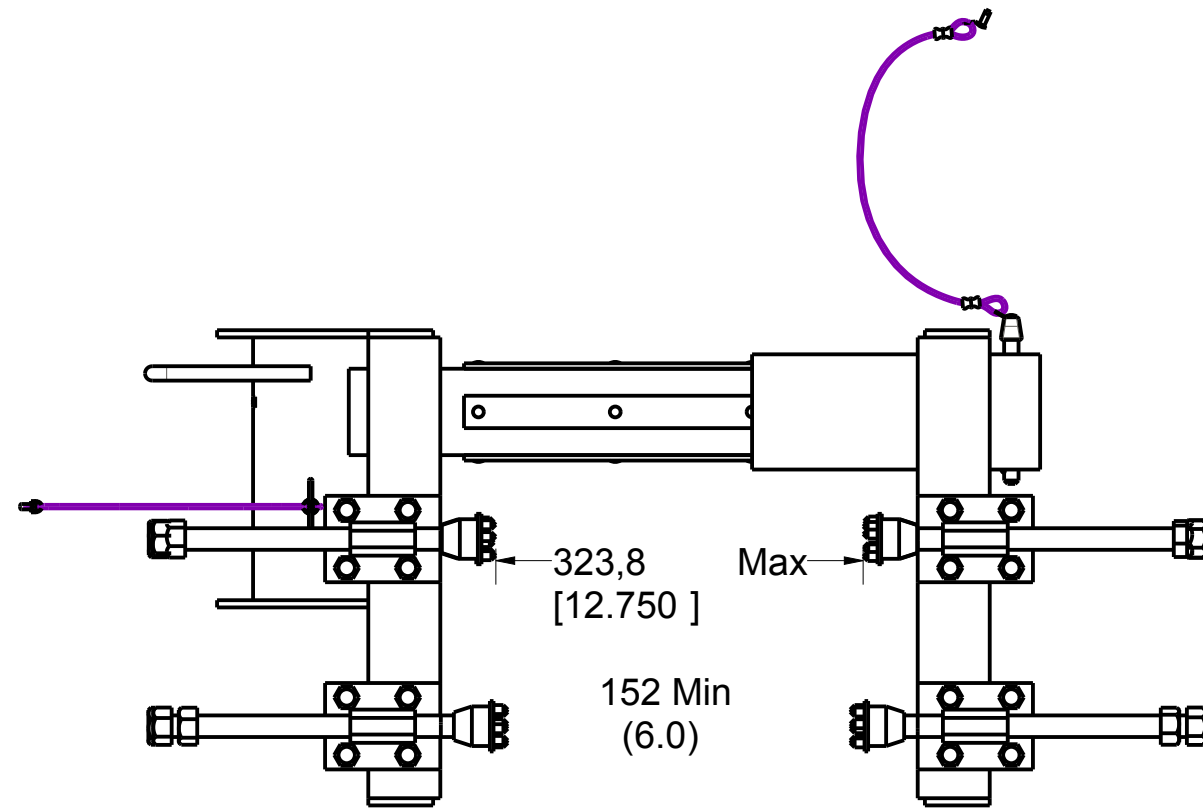


Product number: SPXTIN2008

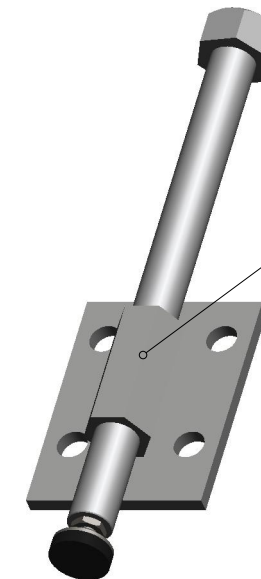
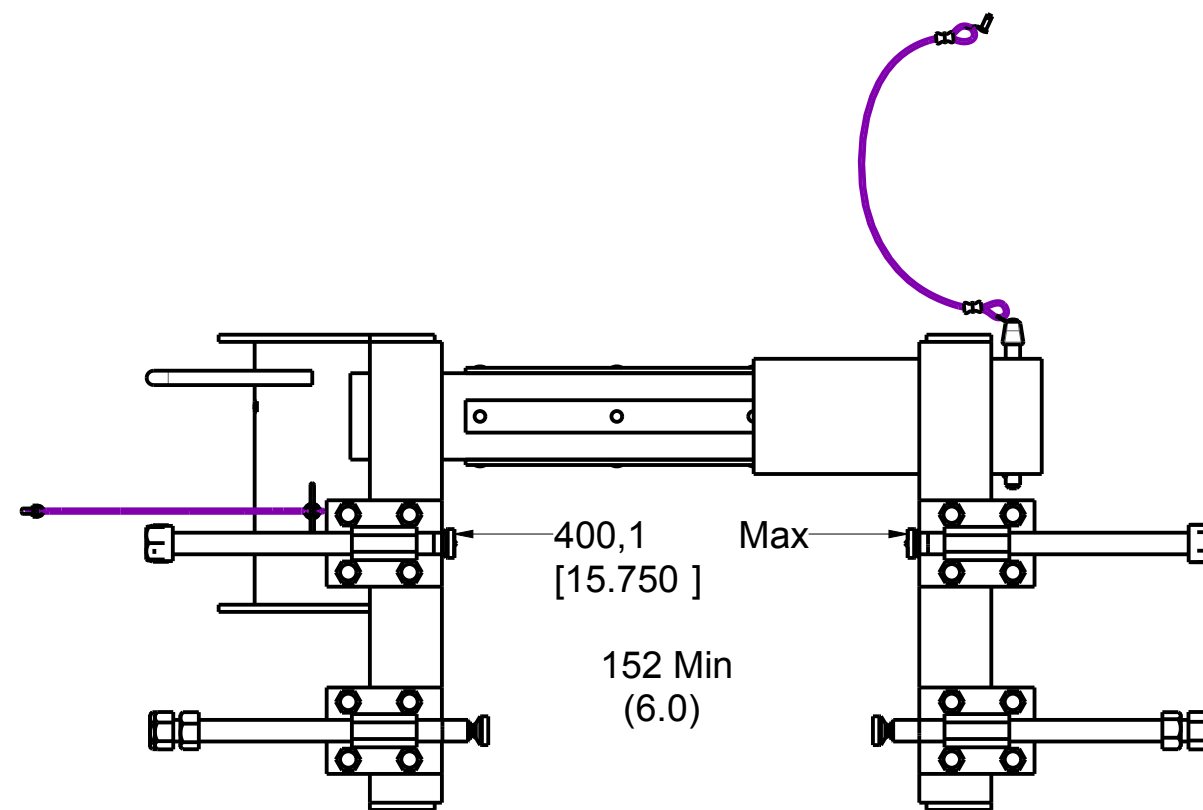
| IDX | QTE | COMPOSANTE | REV | DESCRIPTION | MATERIAU |
|-----|-----|-----------------|-----|--|--------------|
| 9 | 1 | A2005-04 | | Pin and Cable assembly | |
| 8 | 1 | A2002-09 | | Assembling kit with black t handle/4.5"/dbl lock | |
| 7 | 1 | P2006-004 | | Pvc sleeve adaptators | PVC Ced. 40 |
| 6 | 1 | P2118-021 | | | Delerin noir |
| 5 | 2 | 310-805 | | Pop rivet SS 3/16" x 0.565" | |
| 4 | 8 | A2008-12 | 02 | Screwing plate assembly | |
| 3 | 1 | S2001-007_PLIER | | | |
| 2 | 32 | HN-183 | | Nylon Insert Hex Locknuts 1/2-13 ss | |
| 1 | 32 | HC-75 | | Bolt unc 1/2"-13 x 4" steel | |

| | | | |
|--|---------------------------|-------------|------------|
| PAT. NO.: | | ©2006/12/07 | © |
| PRODUITS DE SERVICE PUBLICS INNOVA INC. INNOVA PUBLIC UTILITY PRODUCTS INC. | | | |
| <small>© 9105-0732 QUEBEC INC. and under exclusive license to INNOVA PUBLIC UTILITY PRODUCTS INC. (hereafter « INNOVA »). All rights reserved. Protected under the Copyright Act of Canada and international treaties and agreements regarding copyrights. Violators are subject to prosecution and other legal recourses for infringement. Any reproduction, adaptation or other use or disclosure whatsoever, in totality or in part, and in any form or by any means whatsoever, strictly forbidden and requires the prior written approval of INNOVA. All data is the exclusive property of 9105-0732 QUEBEC INC. and under exclusive license to INNOVA and cannot be used nor disclosed in any way either without the prior written approval of INNOVA.</small> | | | |
| WEIGHT: | TITLE: | | |
| 64 Lbs | adjustable barrel adapter | | |
| 29 Kg | 6" to 15 3/4" | | |
| COLOR: | MATERIAL: | SHEET(S): | PROJECT: |
| Yellow security | Aluminum | 4 / 5 | SPXTIN2008 |

Product number: SPXTIN2008



SPXTA2008-04 Accessory



SPXTA2008-13 Accessory

| | | | |
|---|---------------------------|-------------|------------|
| PAT. NO.: | | ©2006/12/07 | © |
| PRODUITS DE SERVICE PUBLICS INNOVA INC. INNOVA PUBLIC UTILITY PRODUCTS INC. | | | |
| <small>© 9105-0732 QUEBEC INC. and under exclusive license to INNOVA PUBLIC UTILITY PRODUCTS INC., (hereafter « INNOVA »). All rights reserved. Protected under the Copyright Act of Canada and international treaties and agreements regarding copyrights. Violators are subject to prosecution and other legal recourses for infringement. Any reproduction, adaptation or other use or disclosure whatsoever, in totality or in part, and in any form or by any means whatsoever, strictly forbidden and requires the prior written approval of INNOVA. All data is the exclusive property of 9105-0732 QUEBEC INC. and under exclusive license to INNOVA and cannot be used nor disclosed in any way either without the prior written approval of INNOVA.</small> | | | |
| WEIGHT: | TITLE: | | |
| 64 Lbs | adjustable barrel adapter | | |
| 29 Kg | 6" to 15 3/4" | | |
| COLOR: | MATERIAL: | SHEET(S): | PROJECT: |
| Yellow security | Aluminum | 5 / 5 | SPXTIN2008 |