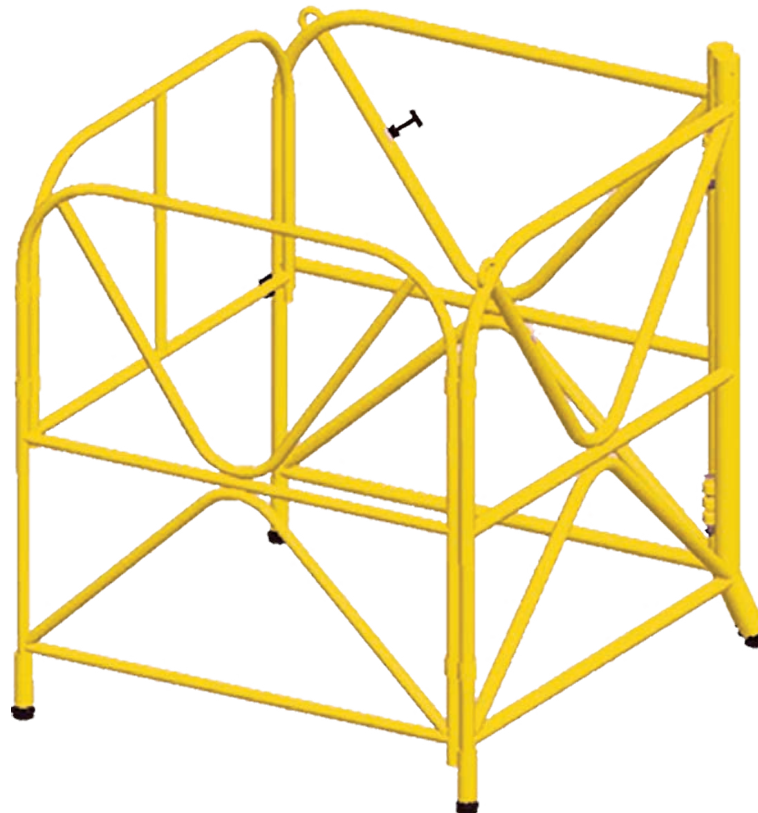


# SPXTIN2030-01: Extensible Barricade



**SpanSet Australia Ltd**

150 Old Bathurst Road  
Emu Plains  
NSW 2750  
Australia

**Telephone**

+61 2 4735 3955

**Fax**

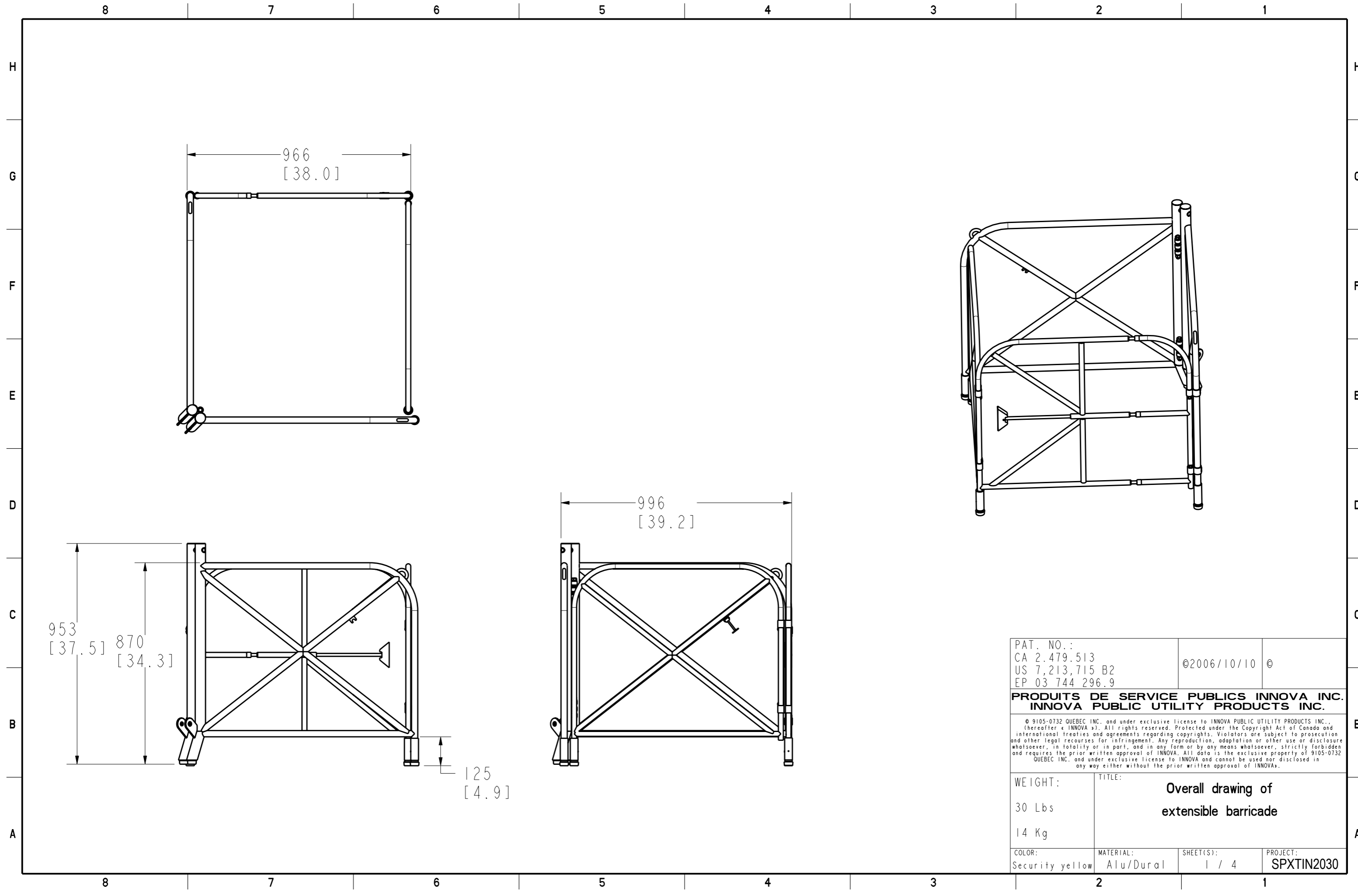
+61 2 4735 3630

**E-mail**

sales@spanset.com.au

**Internet**

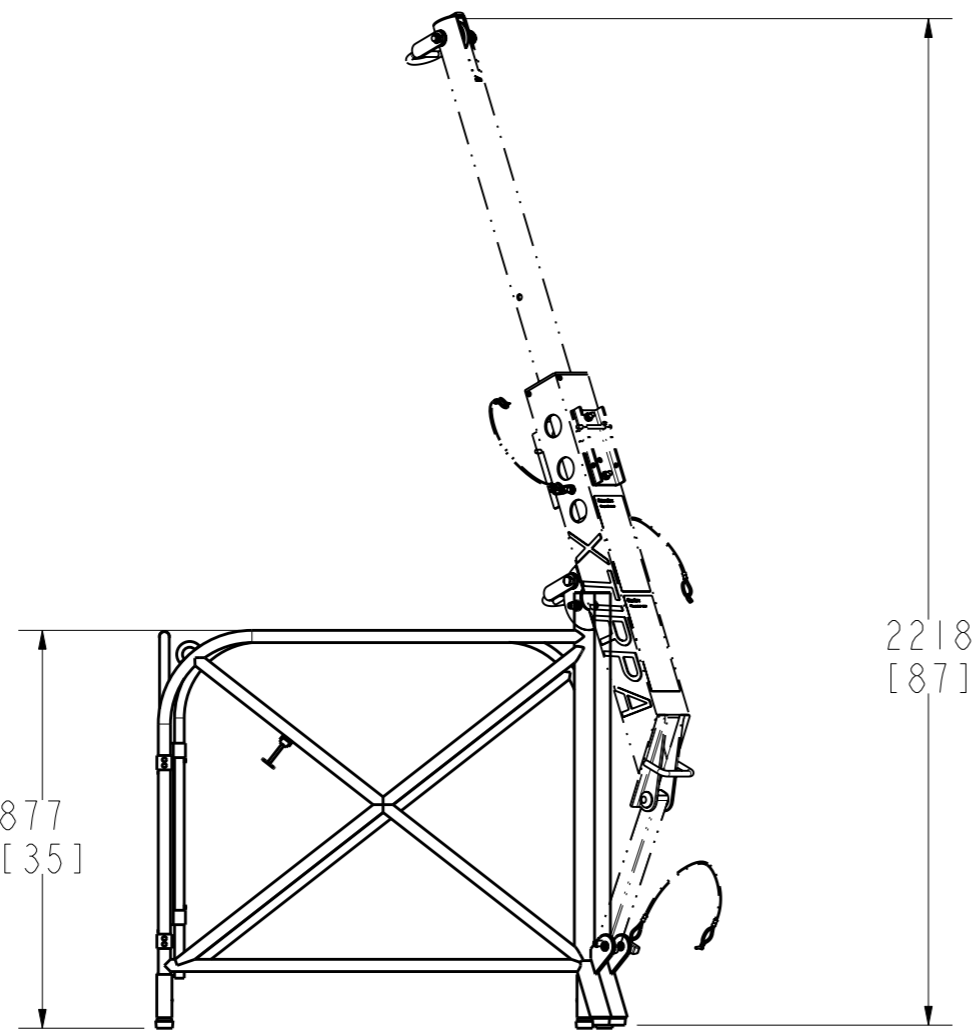
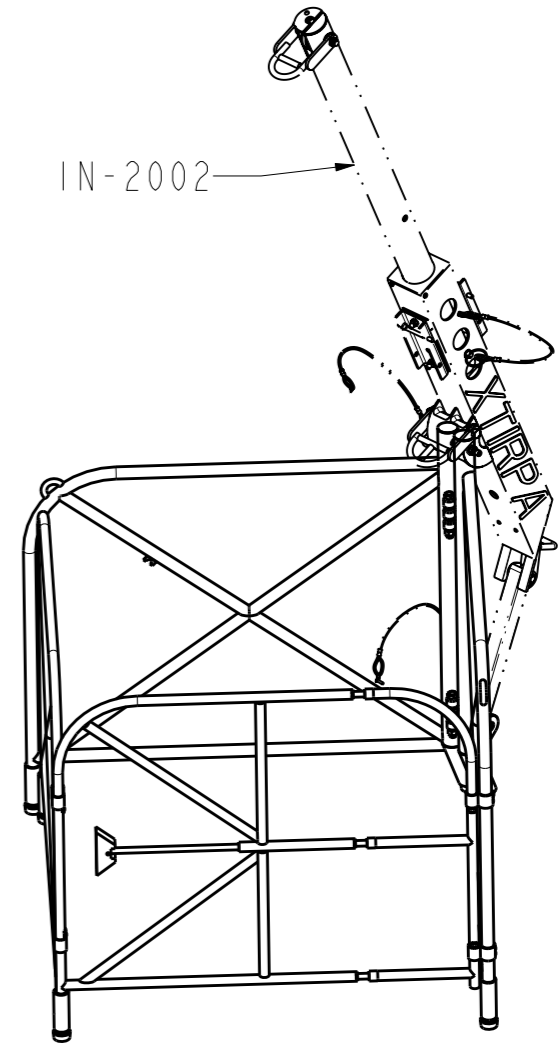
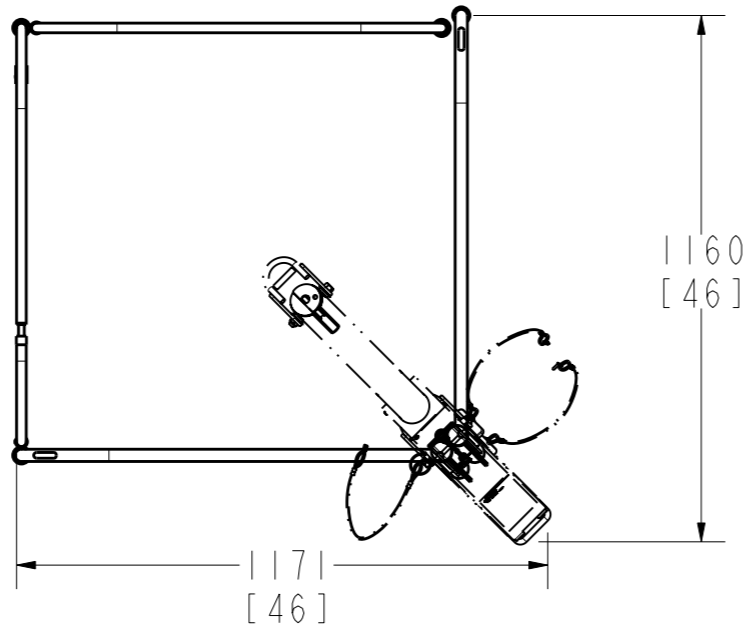
www.spanset.com.au



PAT. NO.:			
CA 2,479,513		©2006/10/10 ©	
US 7,213,715 B2			
EP 03 744 296.9			
<b>PRODUITS DE SERVICE PUBLICS INNOVA INC.</b> <b>INNOVA PUBLIC UTILITY PRODUCTS INC.</b>			
<small>© 9105-0732 QUEBEC INC. and under exclusive license to INNOVA PUBLIC UTILITY PRODUCTS INC., (hereafter « INNOVA »). All rights reserved. Protected under the Copyright Act of Canada and international treaties and agreements regarding copyrights. Violators are subject to prosecution and other legal recourses for infringement. Any reproduction, adaptation or other use or disclosure whatsoever, in totality or in part, and in any form or by any means whatsoever, strictly forbidden and requires the prior written approval of INNOVA. All data is the exclusive property of 9105-0732 QUEBEC INC. and under exclusive license to INNOVA and cannot be used nor disclosed in any way either without the prior written approval of INNOVA.</small>			
WEIGHT:	TITLE:		
30 Lbs	<b>Overall drawing of</b>		
14 Kg	<b>extensible barricade</b>		
COLOR:	MATERIAL:	SHEET(S):	PROJECT:
Security yellow	Alu/Dural	1 / 4	SPXTIN2030

8 7 6 5 4 3 2 1

H  
G  
F  
E  
D  
C  
B  
A



PAT. NO.:			
CA 2.479.513		©2006/10/10 ©	
US 7,213,715 B2			
EP 03 744 296.9			
<b>PRODUITS DE SERVICE PUBLICS INNOVA INC.</b> <b>INNOVA PUBLIC UTILITY PRODUCTS INC.</b>			
<small>© 9105-0732 QUEBEC INC. and under exclusive license to INNOVA PUBLIC UTILITY PRODUCTS INC., (hereafter « INNOVA »). All rights reserved. Protected under the Copyright Act of Canada and international treaties and agreements regarding copyrights. Violators are subject to prosecution and other legal recourses for infringement. Any reproduction, adaptation or other use or disclosure whatsoever, in totality or in part, and in any form or by any means whatsoever, strictly forbidden and requires the prior written approval of INNOVA. All data is the exclusive property of 9105-0732 QUEBEC INC. and under exclusive license to INNOVA and cannot be used nor disclosed in any way either without the prior written approval of INNOVA.</small>			
WEIGHT:	TITLE:		
30 Lbs	<b>Overall drawing of extensible barricade</b>		
14 Kg			
COLOR:	MATERIAL:	SHEET(S):	PROJECT:
Security yellow	Alu/Dural	2 / 4	SPXTIN2030

8 7 6 5 4 3 2 1

SPECIFICATIONS

Working Load (mass) :  
 With Davit Arm SPXTIN2002 or SPXTIN2210 : 191 kg (420 lbs)

Max Capacity without deformation:  
 With Davit Arm fully extended SPXTIN2002 or SPXTIN2210 : 19172 N (4310 lbf)  
 With Davit Arm SPXTIN2002 or SPXTIN2210 at Anchorage point : 22241 N (5000lbf)  
 Maximum Moment : 8765 N-m (77,580 lbf-in)

STANDARDS

Meets the following standards:  
 OSHA Personal fall arrest system - 1910.66 App C  
 ANSI Safety requirements for personal fall arrest system,  
 subsystems and components Z359.1 ( R1999 )  
 CAN/CSA Fall arresters, vertical lifelines, and rails Z259.2.1-98

MATERIAL AND CONSTRUCTION

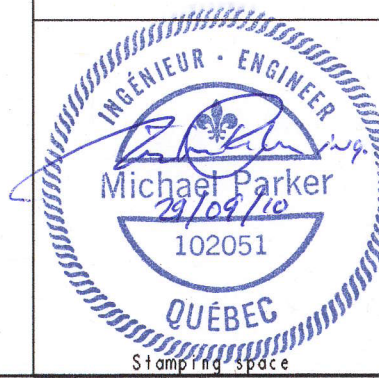
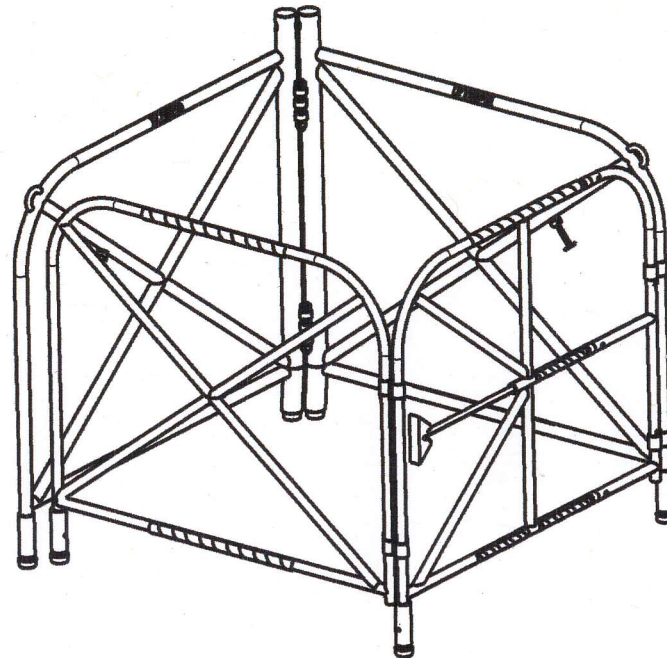
Structural tubes : Duralcan and Aluminum 6061-T6  
 Levelling Screws : Stainless Steel and Rubber  
 Hardware : Zinc plated steel Gr. 5 and stainless steel  
 Finish : Yellow security powder paint with metal protection.  
 Welding certification: CSA W47.2M

RESTRICTIONS

This product is to be used only with products approved by Innova public utility products INC.

Important:  
 This product is man rated and shall be used in conjunction with  
 Fall Arrest Equipment which limits the maximum arrest force (MAF).

Product number: SPXTIN2030



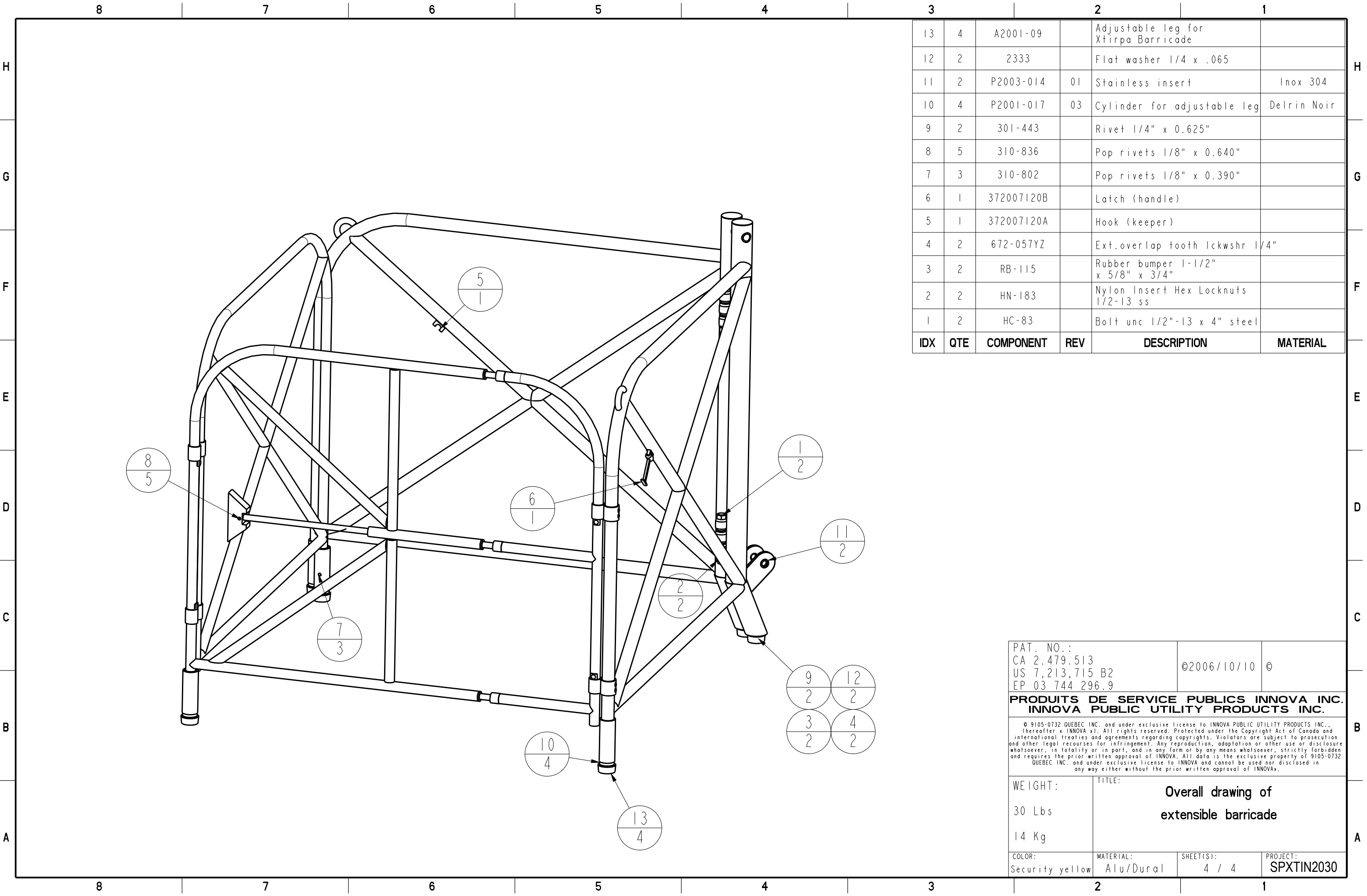
PAT. NO.:	CA 2,479,513	US 7,213,715 B2	EP 03 744 296.9
			©2006/10/10 ©

**PRODUITS DE SERVICE PUBLICS INNOVA INC.**  
**INNOVA PUBLIC UTILITY PRODUCTS INC.**

© 9105-9732 QUEBEC INC. and under exclusive license to INNOVA PUBLIC UTILITY PRODUCTS INC. therefor. INNOVA et, all rights reserved. Protected under the Copyright Act of Canada and International treaties and agreements regarding copyrights. Violators are subject to prosecution and other legal recourse for infringement. Any reproduction, adaptation or other use or disclosure whatsoever, in whole or in part, and in any form or by any means whatsoever, strictly forbidden and requires the prior written approval of INNOVA. All data is the exclusive property of 9105-9732 QUEBEC INC. and under exclusive license to INNOVA and cannot be used nor disclosed in any way either without the prior written approval of INNOVA.

WEIGHT:	TITLE:	Overall drawing of extensible barricade	
30 Lbs			
14 Kg			
COLOR:	MATERIAL:	SHEETS:	PROJECT:
Security yellow	Alu/Dural	3 / 4	SPXTIN2030

Stamping space



IDX	QTE	COMPONENT	REV	DESCRIPTION	MATERIAL
13	4	A2001-09		Adjustable leg for Xtirpa Barricade	
12	2	2333		Flat washer 1/4 x .065	
11	2	P2003-014	01	Stainless insert	Inox 304
10	4	P2001-017	03	Cylinder for adjustable leg	Delrin Noir
9	2	301-443		Rivet 1/4" x 0.625"	
8	5	310-836		Pop rivets 1/8" x 0.640"	
7	3	310-802		Pop rivets 1/8" x 0.390"	
6	1	372007120B		Latch (handle)	
5	1	372007120A		Hook (keeper)	
4	2	672-057YZ		Ext.overlap tooth lckwshr 1/4"	
3	2	RB-115		Rubber bumper 1-1/2" x 5/8" x 3/4"	
2	2	HN-183		Nylon Insert Hex Locknuts 1/2-13 ss	
1	2	HC-83		Bolt unc 1/2"-13 x 4" steel	

PAT. NO.:			
CA 2,479,513			
US 7,213,715 B2		©2006/10/10 ©	
EP 03 744 296.9			
<b>PRODUITS DE SERVICE PUBLICS INNOVA INC.</b>			
<b>INNOVA PUBLIC UTILITY PRODUCTS INC.</b>			
<small>© 9105-0732 QUEBEC INC. and under exclusive license to INNOVA PUBLIC UTILITY PRODUCTS INC., (hereafter « INNOVA »). All rights reserved. Protected under the Copyright Act of Canada and international treaties and agreements regarding copyrights. Violators are subject to prosecution and other legal recourses for infringement. Any reproduction, adaptation or other use or disclosure whatsoever, in totality or in part, and in any form or by any means whatsoever, strictly forbidden and requires the prior written approval of INNOVA. All data is the exclusive property of 9105-0732 QUEBEC INC. and under exclusive license to INNOVA and cannot be used nor disclosed in any way either without the prior written approval of INNOVA.</small>			
WEIGHT:	TITLE:		
30 Lbs	<b>Overall drawing of extensible barricade</b>		
14 Kg			
COLOR:	MATERIAL:	SHEET(S):	PROJECT:
Security yellow	Alu/Dural	4 / 4	SPXTIN2030