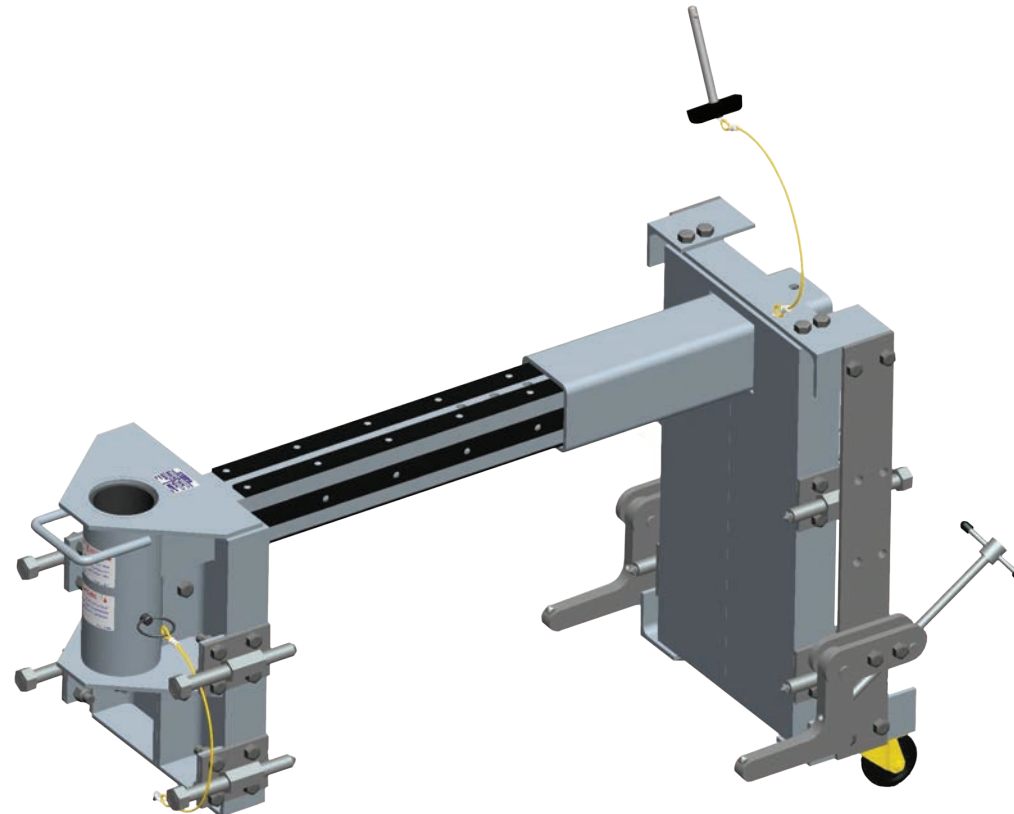


SPXTIN2075-01: Adjustable Barrel Adapter



SpanSet Australia Ltd

150 Old Bathurst Road
Emu Plains
NSW 2750
Australia

Telephone

+61 2 4735 3955

Fax

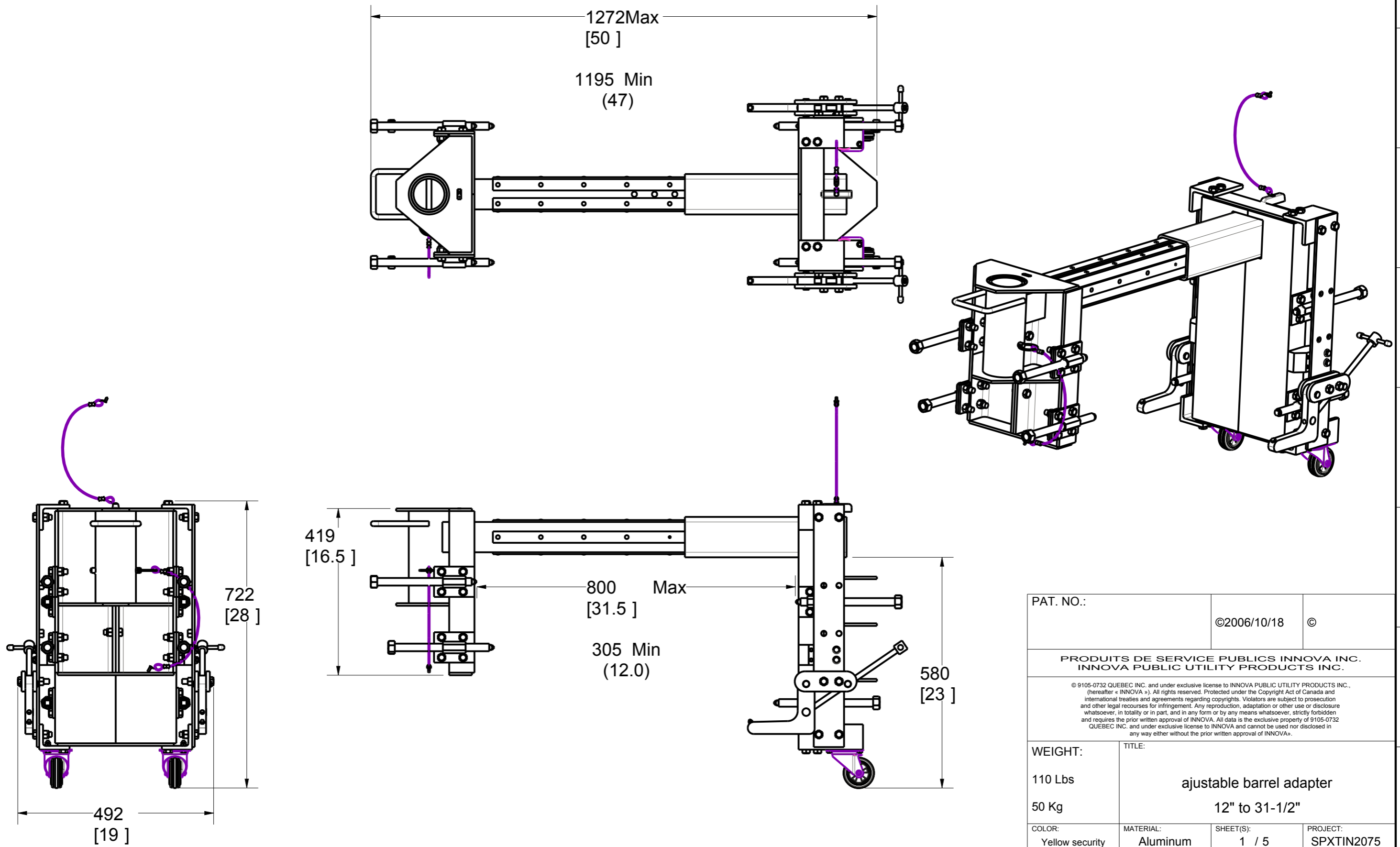
+61 2 4735 3630

E-mail

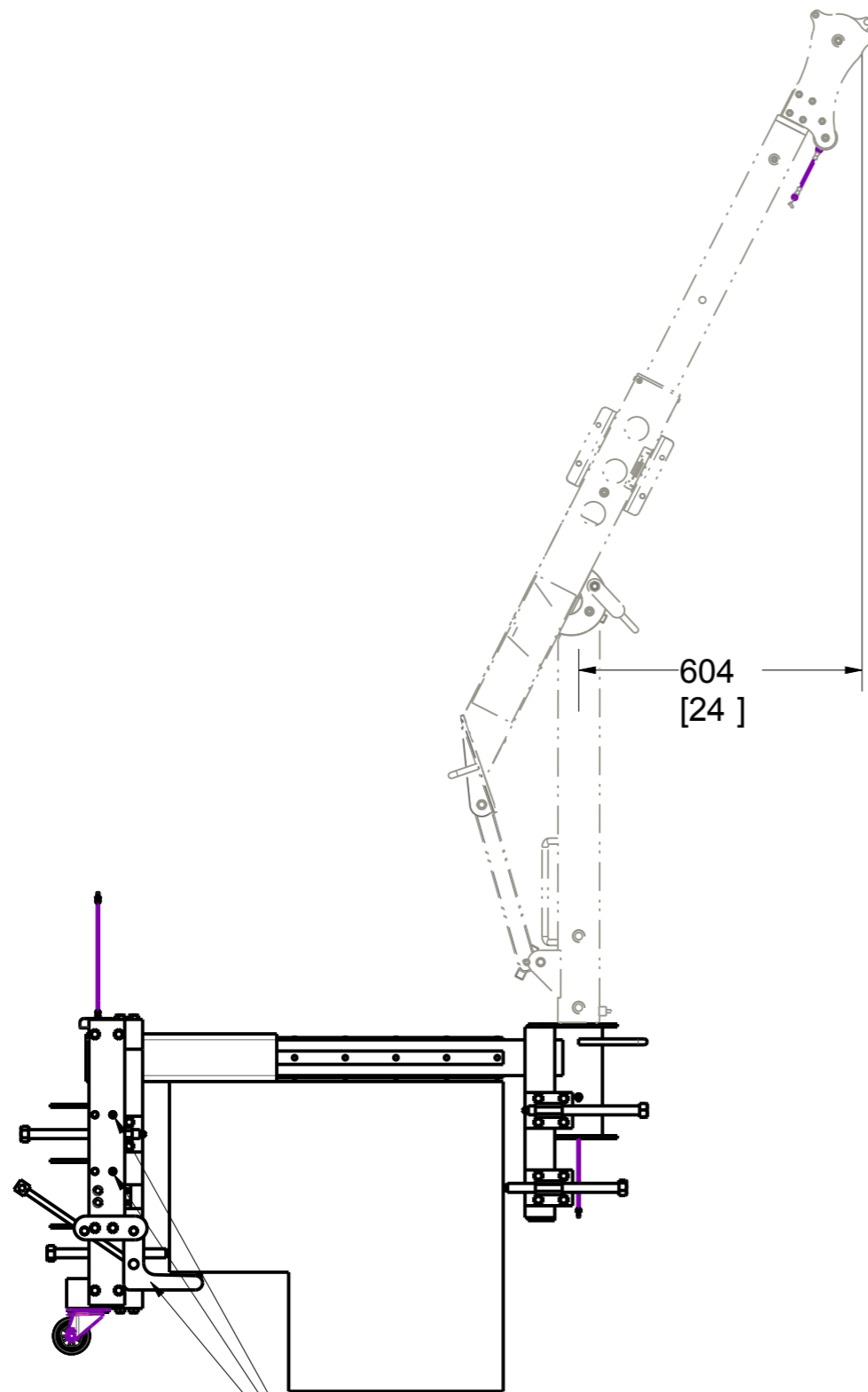
sales@spanset.com.au

Internet

www.spanset.com.au



PAT. NO.:		©2006/10/18 ©	
PRODUITS DE SERVICE PUBLICS INNOVA INC. INNOVA PUBLIC UTILITY PRODUCTS INC.			
<small>© 9105-0732 QUEBEC INC. and under exclusive license to INNOVA PUBLIC UTILITY PRODUCTS INC., (hereafter « INNOVA »). All rights reserved. Protected under the Copyright Act of Canada and international treaties and agreements regarding copyrights. Violators are subject to prosecution and other legal recourses for infringement. Any reproduction, adaptation or other use or disclosure whatsoever, in totality or in part, and in any form or by any means whatsoever, strictly forbidden and requires the prior written approval of INNOVA. All data is the exclusive property of 9105-0732 QUEBEC INC. and under exclusive license to INNOVA and cannot be used nor disclosed in any way either without the prior written approval of INNOVA.</small>			
WEIGHT:	TITLE:		
110 Lbs	ajustable barrel adapter		
50 Kg	12" to 31-1/2"		
COLOR:	MATERIAL:	SHEET(S):	PROJECT:
Yellow security	Aluminum	1 / 5	SPXTIN2075



Ajustment:
 Bottom position 16.0" (406) to 19.0" (483)
 Center position 11.250" (286) to 14.250" (362)
 Top position 6.500" (165) to 9.500" (241)

Recommandations:

Concrete must be made of 0,2% brut area reinforced 2000psi (13.8 MPa) or better.
 Minimum thickness of 7" (178mm).

OR

Concrete 2000psi (13.8 MPa) or better.
 Minimum thickness of 11 1/4" (286mm).

Moment capacity:

120,000 lbf-in (13,558 N-m)

Vertical load: 5,000 lbf (22,241 N).

N.B. It is the responsibility of the field Engineer to assure installation compliance.

PAT. NO.:		©2006/10/18	©
PRODUITS DE SERVICE PUBLICS INNOVA INC. INNOVA PUBLIC UTILITY PRODUCTS INC.			
<small>© 9105-0732 QUEBEC INC. and under exclusive license to INNOVA PUBLIC UTILITY PRODUCTS INC., (hereafter « INNOVA »). All rights reserved. Protected under the Copyright Act of Canada and international treaties and agreements regarding copyrights. Violators are subject to prosecution and other legal recourses for infringement. Any reproduction, adaptation or other use or disclosure whatsoever, in totality or in part, and in any form or by any means whatsoever, strictly forbidden and requires the prior written approval of INNOVA. All data is the exclusive property of 9105-0732 QUEBEC INC. and under exclusive license to INNOVA and cannot be used nor disclosed in any way either without the prior written approval of INNOVA.</small>			
WEIGHT:	TITLE:		
110 Lbs	ajustable barrel adapter		
50 Kg	12" to 31-1/2"		
COLOR:	MATERIAL:	SHEET(S):	PROJECT:
Yellow security	Aluminum	2 / 5	SPXTIN2075

8 7 6 5 4 3 2 1

SPECIFICATIONS

H This product is man rated with a maximum working capacity of 360lbs (164kg). It is only to be used in conjunction with personal fall arrest equipment that limits the maximum arrest force (MAF).

G Maximum Working Moment : 976 N-m (8640 lbf-in)
Maximum Moment : 9762 N-m (86400 lbf-in)

F STANDARDS

Meets the following standards:
OSHA Personal fall arrest system - 1910.66 App C
ANSI Safety requirements for personal fall arrest system, subsystems and components Z359.1 07
CAN/CSA Fall arresters, vertical lifelines, and rails Z259.2.1-98

E MATERIAL AND CONSTRUCTION

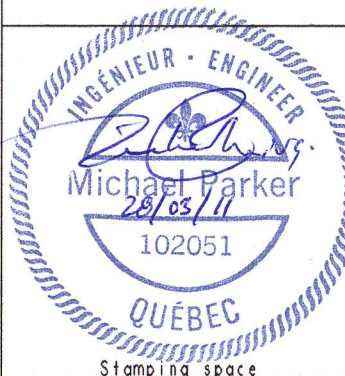
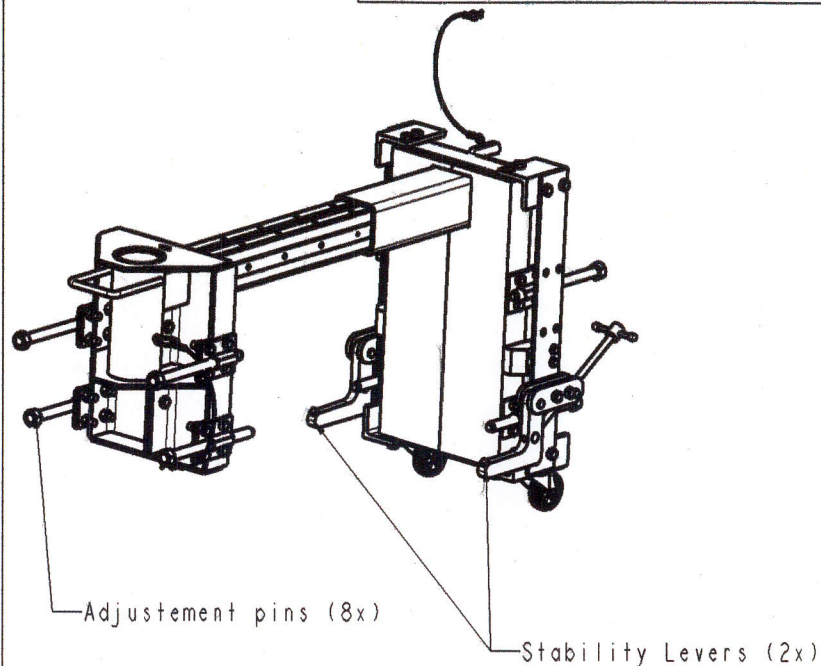
D Principal body : Aluminum 6061-T6
Sleeve bearing : PVC pipe
Hardware : Zinc plated Steel
Screw plates : Zinc Plated Steel
Sliding strips : UHMW
Pin : Stainless Steel
Lanyard : Nylon covered Steel Cable
Welding certification : CSA W47,2M CSA W59 & 47.1, AWS D1.6

C RESTRICTIONS

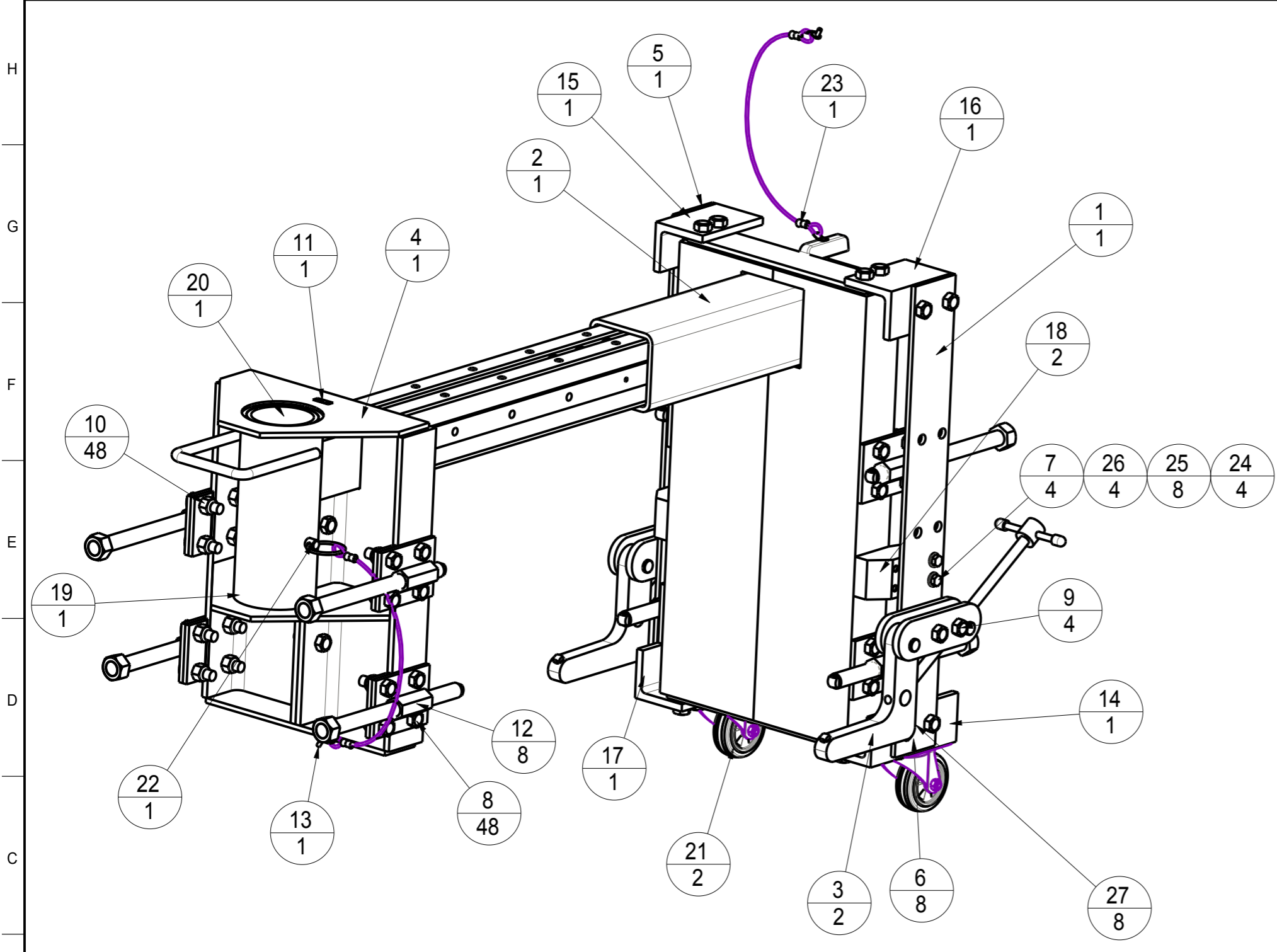
IMPORTANT :

B The positioning pin must always be in place when maneuvering personnel. Adaptors are designed to function only with Innova public utility products INC. equipment.
A minimum of 4 adjustment pins shall be used at all times on each side of structure.
Stability levers shall be used at all times.
Equipment must be inspected before re-using by qualified personnel when a fall has accrued.
This product is not intended to be used sideways. It is not considered as a permanent structure and shall be used with care.

Product number : SPXTIN2075



PAT. NO. :		62006/10/18 6	
PRODUITS DE SERVICE PUBLICS INNOVA INC. INNOVA PUBLIC UTILITY PRODUCTS INC.			
<small>© 9185-9732 QUEBEC INC. and under exclusive license to INNOVA PUBLIC UTILITY PRODUCTS INC. (hereafter - INNOVA). All rights reserved. Protected under the Copyright Act of Canada and international treaties and agreements regarding copyrights. Violators are subject to prosecution and other legal recourse for infringement. Any reproduction, adaptation or other use or disclosure whatsoever, in totality or in part, and in any form or by any means whatsoever, strictly forbidden and requires the prior written approval of INNOVA. All data is the exclusive property of 9185-9732 QUEBEC INC. and under exclusive license to INNOVA and cannot be used nor disclosed in any way either without the prior written approval of INNOVA.</small>			
WEIGHT:	TITLE:		
110 Lbs	ajustable barrel adapter		
50 Kg	12" to 31/2"		
COLOR:	MATERIAL:	SHEET(S):	PROJECT:
Yellow security	Aluminum	3 / 5	SPXTIN2075



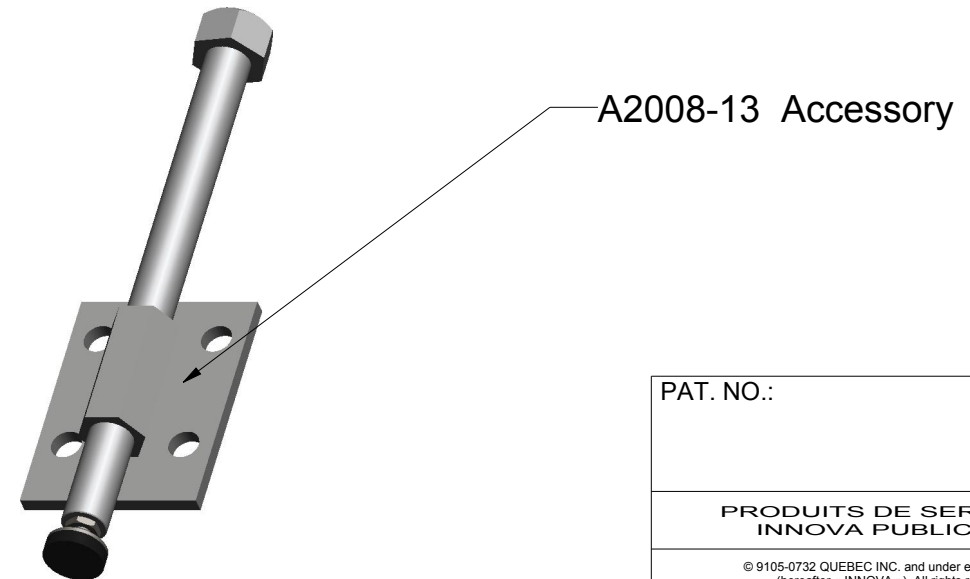
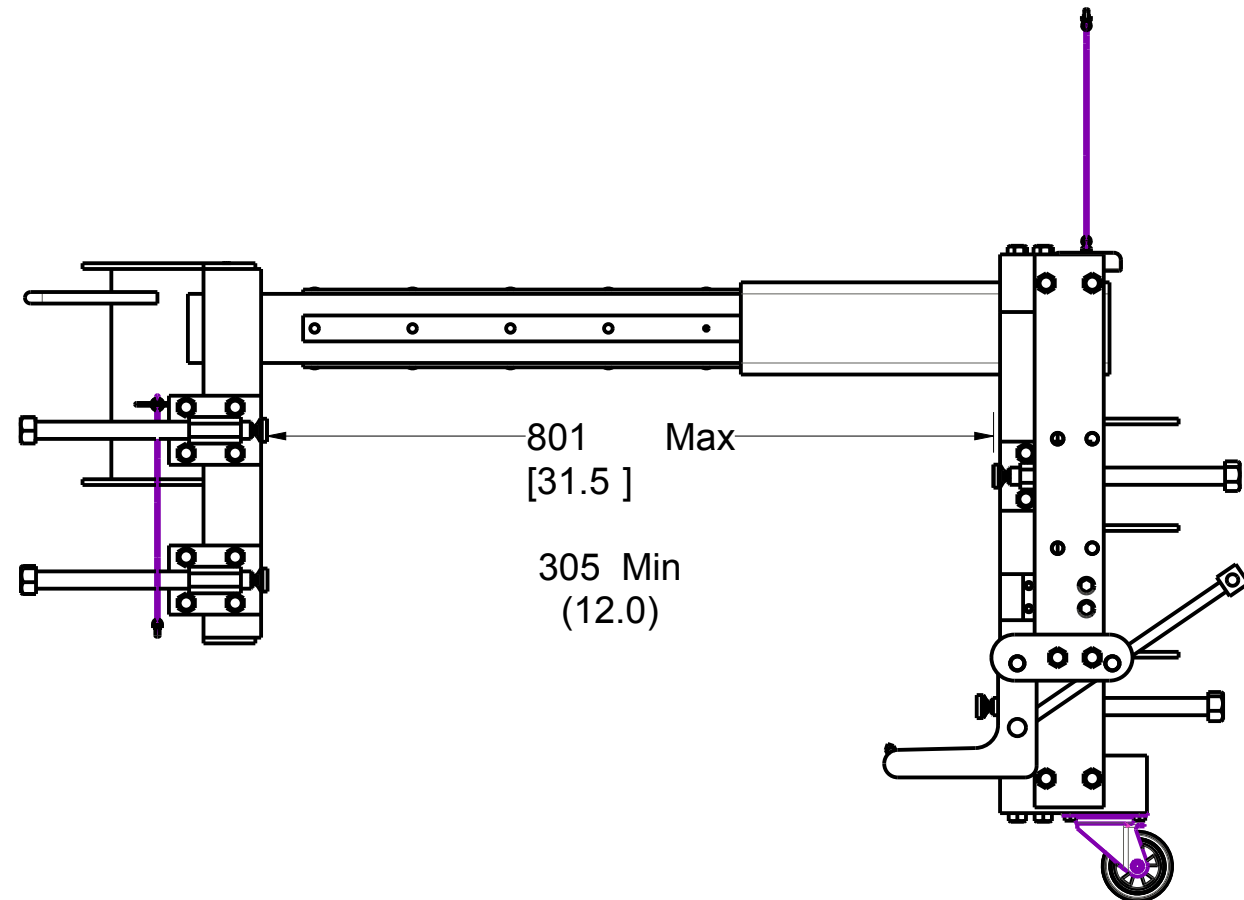
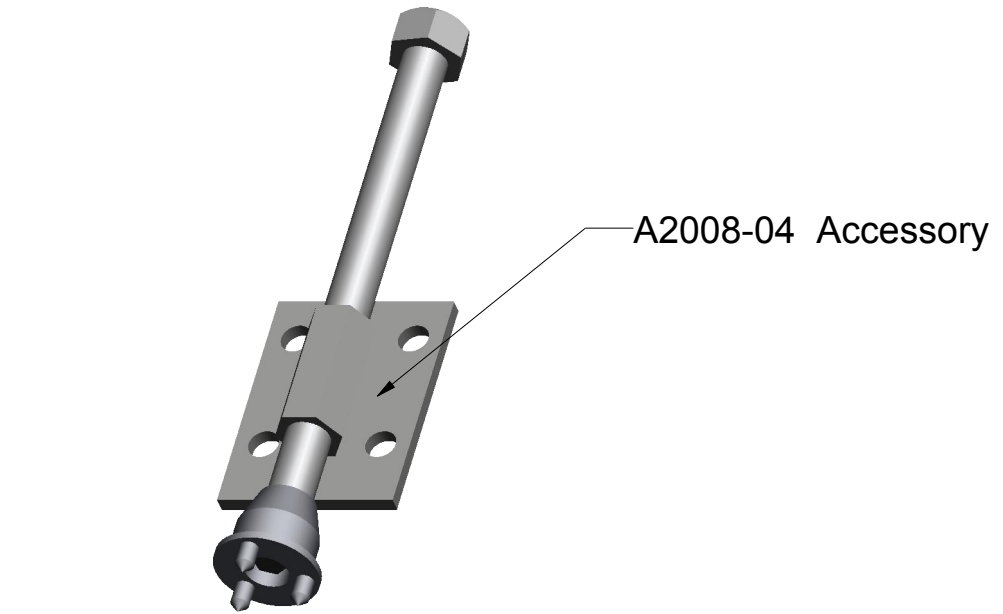
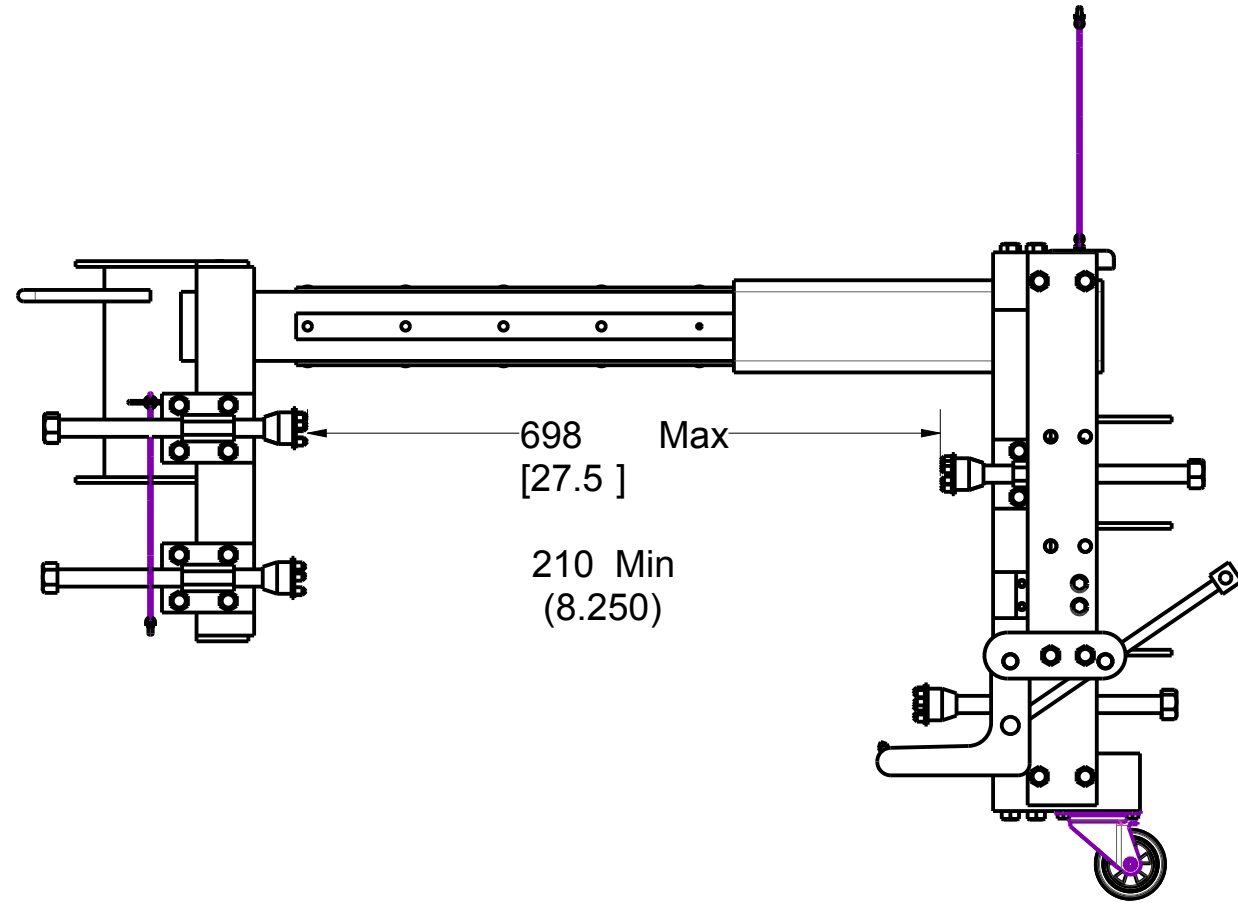
Product number: **IN-2075**

IDX	QTE	COMPOSANTE	REV	DESCRIPTION	MATERIAU
20	1	P2006-004		Chemise de cylindre	PVC Ced. 40
19	1	P2118-021		Plaque de fond	Delerin noir
18	2	P2075-037J		Bloc renfort	Aluminium 6061-T6
17	1	P2075-019	01	Coin bas inférieur droit	Alu. 6061-T6
16	1	P2075-017	01	Coin bas supérieur gauche	Alu 6061-T6
15	1	P2075-018	01	Coin bas supérieur droit	Alu 6061-T6
14	1	P2075-020	01	Coin bas inférieur gauche	Alu 6061-T6
13	1	310-805		Rivet pop inox 3/16" x 0.565"	
12	8	A2008-12	02	Assemblage de plaque de vis de serrage horizontal	
11	1	S2001-007	01	Étiquette Temporaire	
10	48	HN-183		Écrou garniture nylon 1/2-13	
9	4	CS-2047		Boulon inox 1/2-13 2 3/4"	
8	48	HC-75		Boulon acier 1/2-13 1 1/4"	
7	4	HC-28		Boulon 5/16-18 x 1-1/4"	
6	8	HC-27		Boulon 5/16-18 x 1-1/4"	
5	1	A2075-05	01	Assemblage gauche de plaque de retenue	
4	1	A2075-02	02	Assemblage du haut	
3	2	A2075-07		Assemblage du crochet de sécurité	
2	1	A2075-03		Assemblage du bas	
1	1	A2075-06	01	Assemblage droit de la plaque de retenue	

27	8	HN-177		Écrou Inox Garniture Nylon 5/16-18
26	4	W-2039		Rondelle Inox 3/8"
25	8	18-SNB		Rondelle de blocage 3/8"
24	4	HC-47		Boul. Hex. Inox 3/8-16 x 2"
23	1	A2002-09		Ass. Câble de Goupille
22	1	A2005-04		Ass. Cable de Goupille
21	2	257BLO-BKPA-TP		Roue TPA 80mm x 25mm serie collective renforcée

PAT. NO.:		©2006/10/18	©
PRODUITS DE SERVICE PUBLICS INNOVA INC. INNOVA PUBLIC UTILITY PRODUCTS INC.			
© 9105-0732 QUEBEC INC. and under exclusive license to INNOVA PUBLIC UTILITY PRODUCTS INC., (hereafter « INNOVA »). All rights reserved. Protected under the Copyright Act of Canada and international treaties and agreements regarding copyrights. Violators are subject to prosecution and other legal recourses for infringement. Any reproduction, adaptation or other use or disclosure whatsoever, in totality or in part, and in any form or by any means whatsoever, strictly forbidden and requires the prior written approval of INNOVA. All data is the exclusive property of 9105-0732 QUEBEC INC. and under exclusive license to INNOVA and cannot be used nor disclosed in any way either without the prior written approval of INNOVA.			
WEIGHT:	TITLE:		
110 Lbs	ajustable barrel adapter		
50 Kg	12" to 31-1/2"		
COLOR:	MATERIAL:	SHEET(S):	PROJECT:
Yellow security	Aluminum	4 / 5	SPXTIN2075

Product number: SPXTIN2075



PAT. NO.:		©2006/10/18	©
PRODUITS DE SERVICE PUBLICS INNOVA INC. INNOVA PUBLIC UTILITY PRODUCTS INC.			
© 9105-0732 QUEBEC INC. and under exclusive license to INNOVA PUBLIC UTILITY PRODUCTS INC., (hereafter « INNOVA »). All rights reserved. Protected under the Copyright Act of Canada and international treaties and agreements regarding copyrights. Violators are subject to prosecution and other legal recourses for infringement. Any reproduction, adaptation or other use or disclosure whatsoever, in totality or in part, and in any form or by any means whatsoever, strictly forbidden and requires the prior written approval of INNOVA. All data is the exclusive property of 9105-0732 QUEBEC INC. and under exclusive license to INNOVA and cannot be used nor disclosed in any way either without the prior written approval of INNOVA.			
WEIGHT:	TITLE:		
110 Lbs	ajustable barrel adapter		
50 Kg	12" to 31-1/2"		
COLOR:	MATERIAL:	SHEET(S):	PROJECT:
Yellow security	Aluminum	5 / 5	SPXTIN2075