

SPXTIN2085-01: H-Beam Adapter



SpanSet Australia Ltd

13 Pullman Place
Emu Plains
NSW 2750
Australia

Telephone

+61 2 4735 3955

Fax

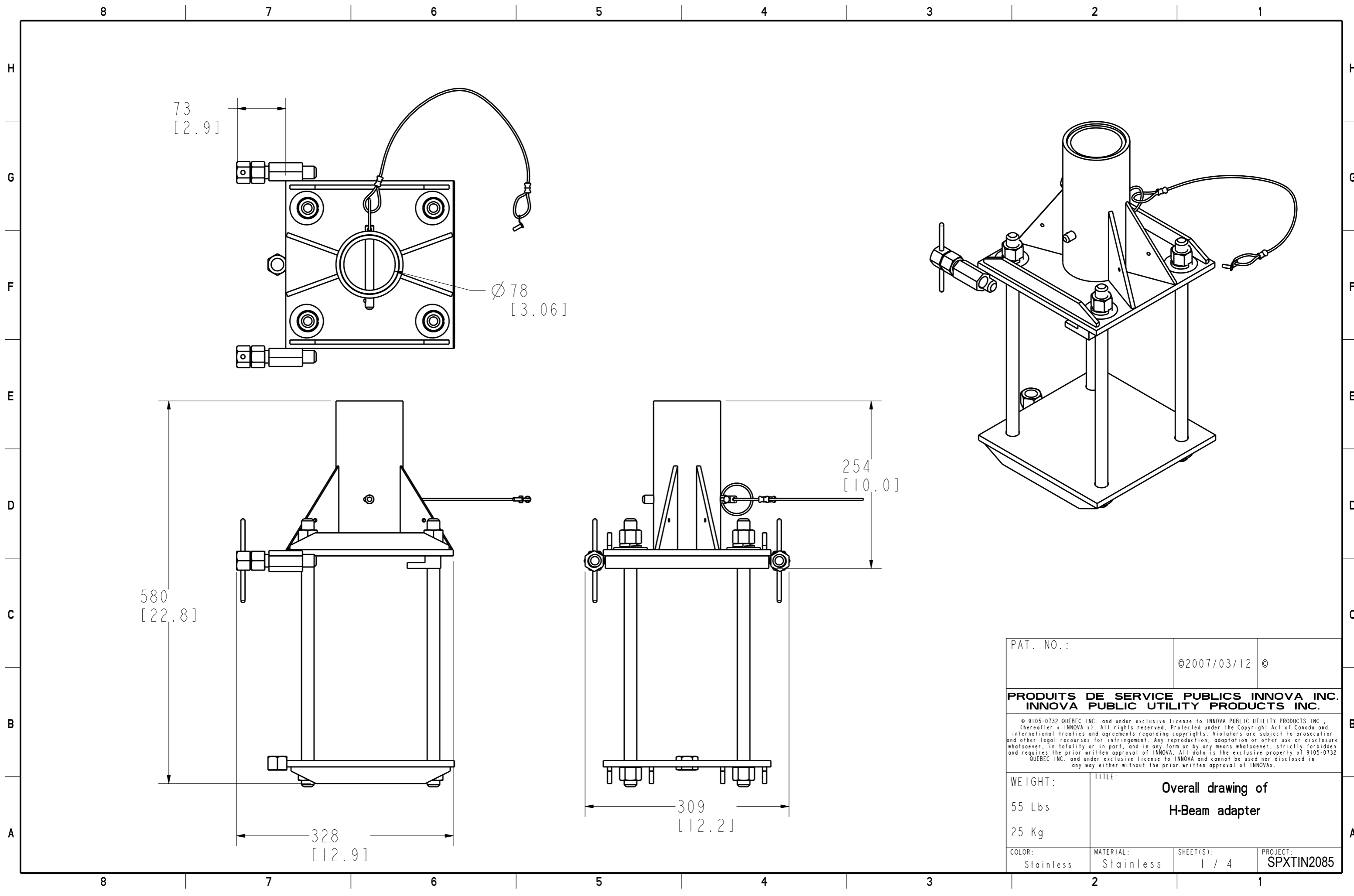
+61 2 4735 3630

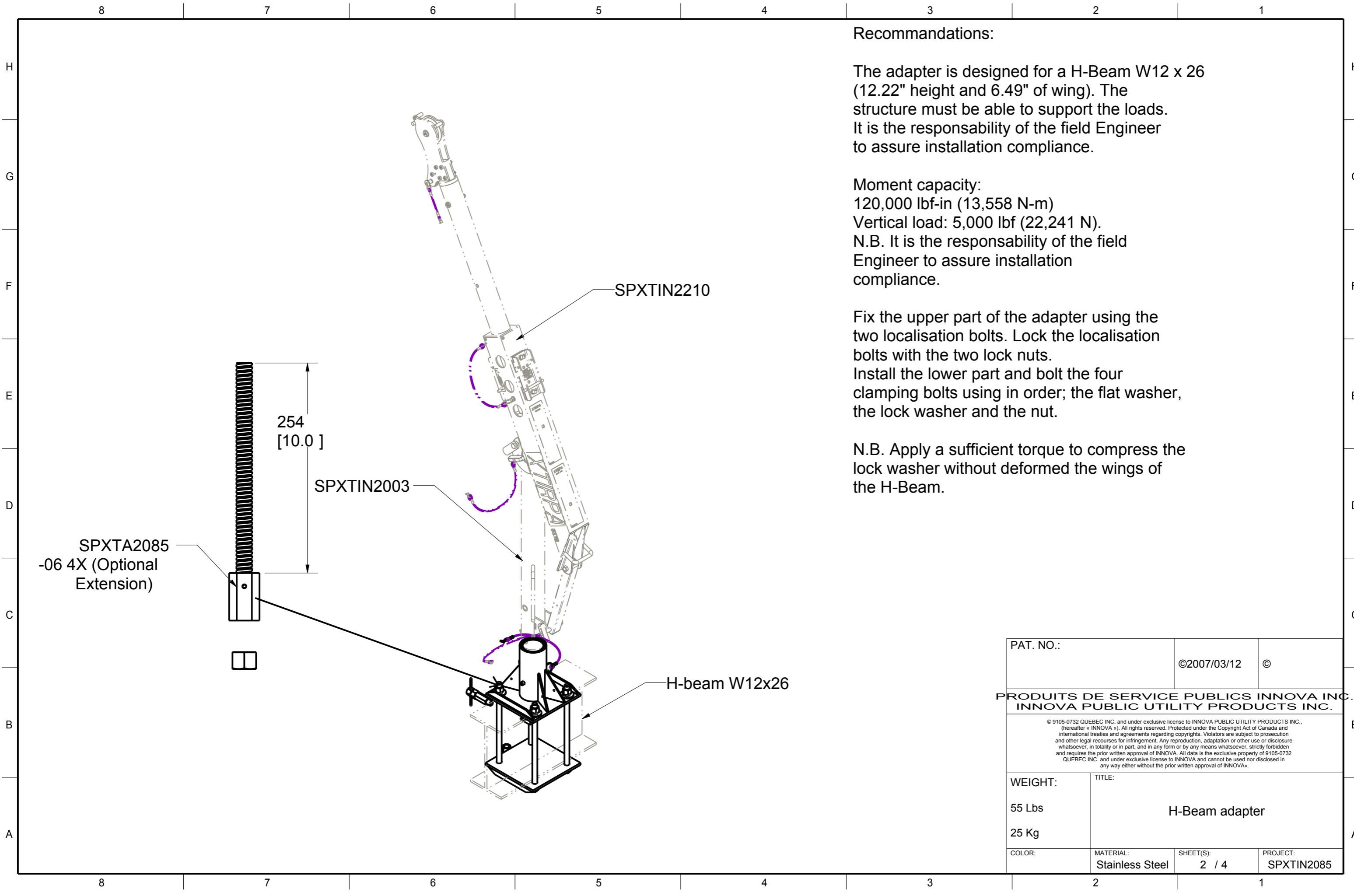
E-mail

sales@spanset.com.au

Internet

www.spanset.com.au





Recommandations:

The adapter is designed for a H-Beam W12 x 26 (12.22" height and 6.49" of wing). The structure must be able to support the loads. It is the responsibility of the field Engineer to assure installation compliance.

Moment capacity:
 120,000 lbf-in (13,558 N-m)
 Vertical load: 5,000 lbf (22,241 N).
 N.B. It is the responsibility of the field Engineer to assure installation compliance.

Fix the upper part of the adapter using the two localisation bolts. Lock the localisation bolts with the two lock nuts.
 Install the lower part and bolt the four clamping bolts using in order; the flat washer, the lock washer and the nut.

N.B. Apply a sufficient torque to compress the lock washer without deformed the wings of the H-Beam.

PAT. NO.:		©2007/03/12	©
PRODUITS DE SERVICE PUBLICS INNOVA INC. INNOVA PUBLIC UTILITY PRODUCTS INC.			
<small>© 9105-0732 QUEBEC INC. and under exclusive license to INNOVA PUBLIC UTILITY PRODUCTS INC., (hereafter « INNOVA »). All rights reserved. Protected under the Copyright Act of Canada and international treaties and agreements regarding copyrights. Violators are subject to prosecution and other legal recourses for infringement. Any reproduction, adaptation or other use or disclosure whatsoever, in totality or in part, and in any form or by any means whatsoever, strictly forbidden and requires the prior written approval of INNOVA. All data is the exclusive property of 9105-0732 QUEBEC INC. and under exclusive license to INNOVA and cannot be used nor disclosed in any way either without the prior written approval of INNOVA.</small>			
WEIGHT:	TITLE:		
55 Lbs	H-Beam adapter		
25 Kg			
COLOR:	MATERIAL:	SHEET(S):	PROJECT:
	Stainless Steel	2 / 4	SPXTIN2085

SPECIFICATIONS

This product is man rated with a maximum working capacity of 360lbs (164kg). It is only to be used in conjunction with personal fall arrest equipment that limits the maximum arerst force (MAF).

Maximum Working Moment : 976 N-m (8,640 lbf-in)
 Maximum Moment : 9,762 N-m (86,400 lbf-in)

STANDARDS

Meets the following standards:
 OSHA Personal fall arrest system - 1910.66 App C
 ANSI Safety requirements for personal fall arrest system, subsystems and components Z359.1 / 2007
 CAN/CSA Fall arresters, vertical lifelines, and rails Z259.2.1-98

MATERIAL AND CONSTRUCTION

Plate, gussets, threaded rod, and sleeve : 304 Stainless Steel
 Sleeve bearing : PVC Pipe.
 Hardware : Stainless Steel
 Pin : Stainless Steel
 Lanyard : Nylon covered Steel Cable
 Welding Certification : CSA W59 & W47.1, AWS D1.6

RESTRICTIONS

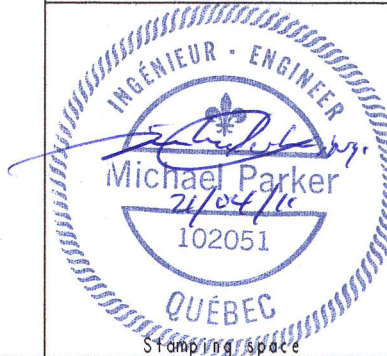
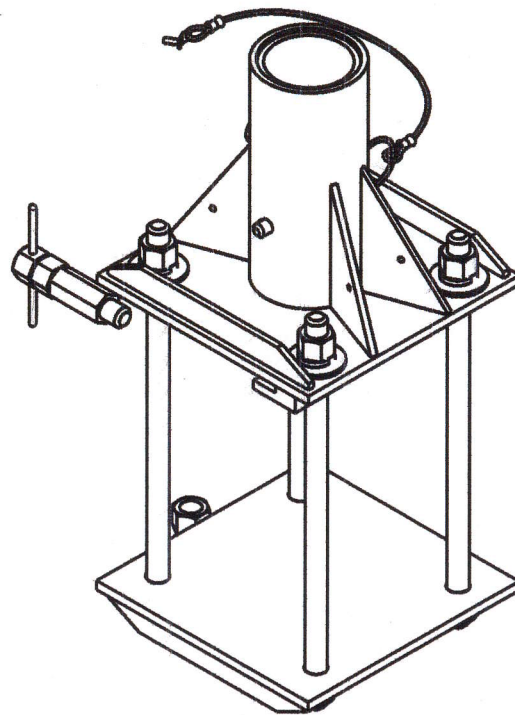
IMPORTANT :

The positioning pin must always be in place when manouvering personnel. Adaptors are designed to function only with Innova public utility products INC. equipment.

Equipment must be inspected before re-using by qualified personnel when a fall has occurred.

This product is not intended to be used sideways.

Product number : SPXTIN2085

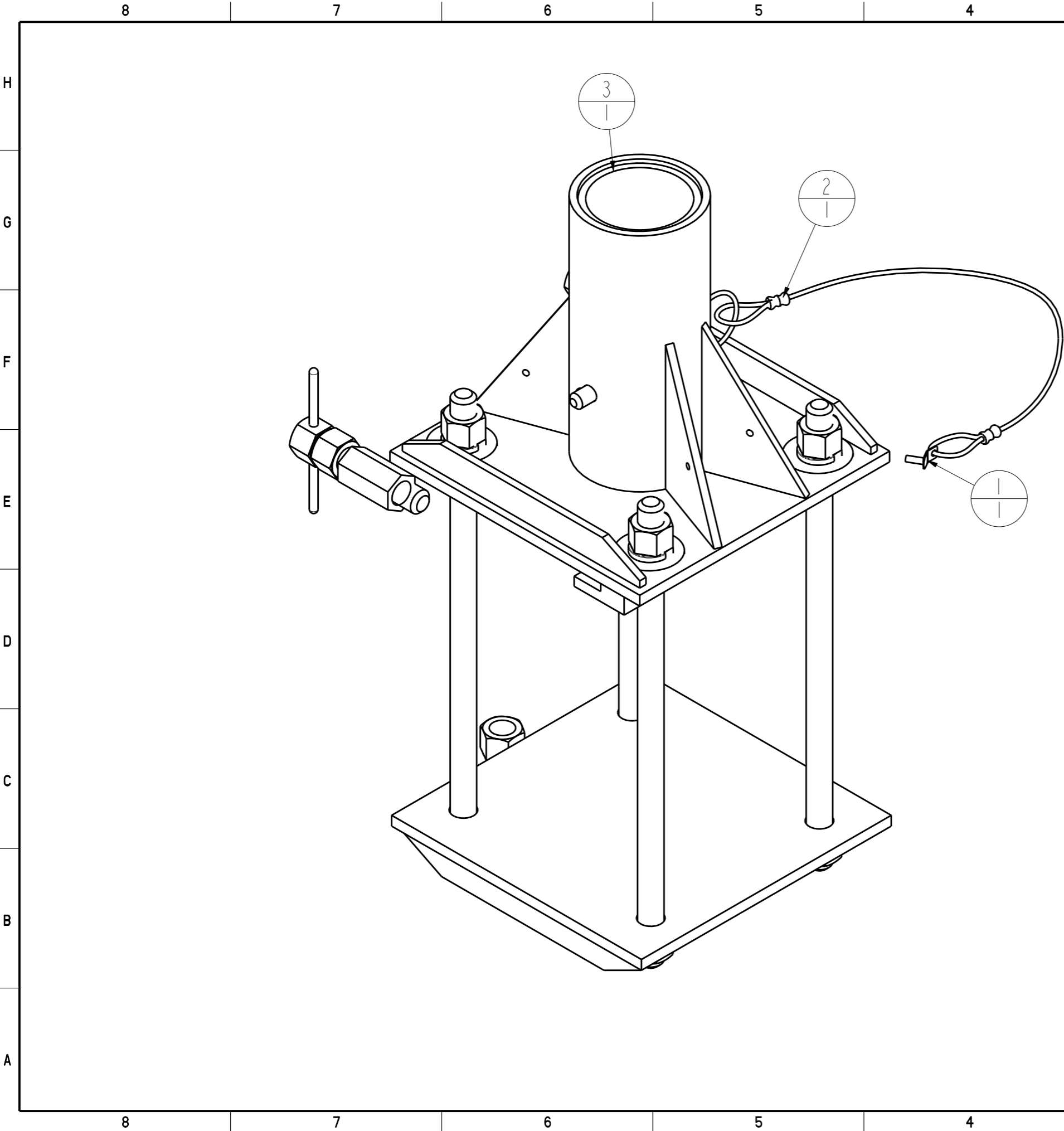


PAT. NO.:	02007/03/12 0
-----------	---------------

**PRODUITS DE SERVICE PUBLICS INNOVA INC.
 INNOVA PUBLIC UTILITY PRODUCTS INC.**

© 9105-0732 QUEBEC INC. and under exclusive license to INNOVA PUBLIC UTILITY PRODUCTS INC., Inventeur : INNOVA s.l. All rights reserved. Protected under the Copyright Act of Canada and international treaties and agreements regarding copyrights. Violators are subject to prosecution and other legal remedies for infringement. Any reproduction, adaptation or other use or disclosure whatsoever, in totality or in part, and in any form or by any means whatsoever, strictly forbidden and requires the prior written approval of INNOVA. All data is the exclusive property of 9105-0732 QUEBEC INC. and under exclusive license to INNOVA and cannot be used or disclosed in any way either without the prior written approval of INNOVA.

WEIGHT:	TITLE:		
55 Lbs	H-Beam adapter		
25 Kg			
COLOR:	MATERIAL:	SHEET(S):	PROJECT:
	Stainless Steel	3 / 4	SPXTIN2085



IDX	QTE	COMPONENT	REV	DESCRIPTION	MATERIAL
3	1	P2006-004		Pvc sleeve adaptators	PVC Ced. 40
2	1	A2005-04		Cable with pin assembly	
1	1	310-805		Pop rivet SS 3/16" x 0.565"	

PAT. NO.:		©2007/03/12 ©	
PRODUITS DE SERVICE PUBLICS INNOVA INC. INNOVA PUBLIC UTILITY PRODUCTS INC.			
<small>© 9105-0732 QUEBEC INC. and under exclusive license to INNOVA PUBLIC UTILITY PRODUCTS INC., (hereafter « INNOVA »). All rights reserved. Protected under the Copyright Act of Canada and international treaties and agreements regarding copyrights. Violators are subject to prosecution and other legal recourses for infringement. Any reproduction, adaptation or other use or disclosure whatsoever, in totality or in part, and in any form or by any means whatsoever, strictly forbidden and requires the prior written approval of INNOVA. All data is the exclusive property of 9105-0732 QUEBEC INC. and under exclusive license to INNOVA and cannot be used nor disclosed in any way either without the prior written approval of INNOVA.</small>			
WEIGHT:	TITLE:		
55 Lbs	Overall drawing of H-Beam adapter		
25 Kg			
COLOR:	MATERIAL:	SHEET(S):	PROJECT:
Stainless	Stainless	4 / 4	SPXTIN2085