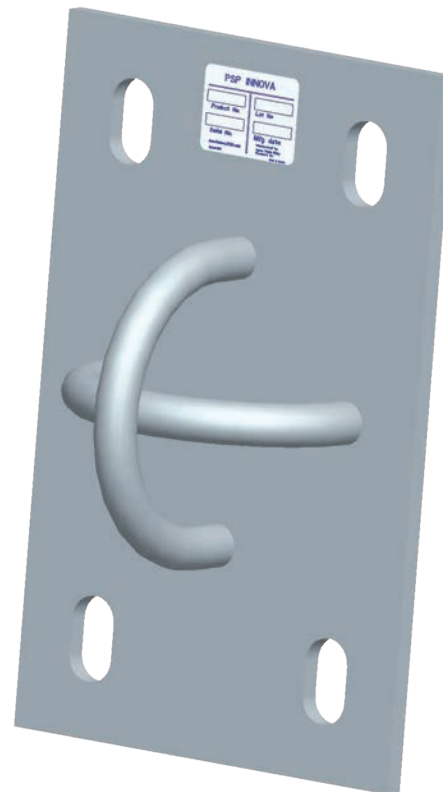


SPXTIN2087-01: Mural Anchorage Ring Adapter



SpanSet Australia Ltd

150 Old Bathurst Road
Emu Plains
NSW 2750
Australia

Telephone

+61 2 4735 3955

Fax

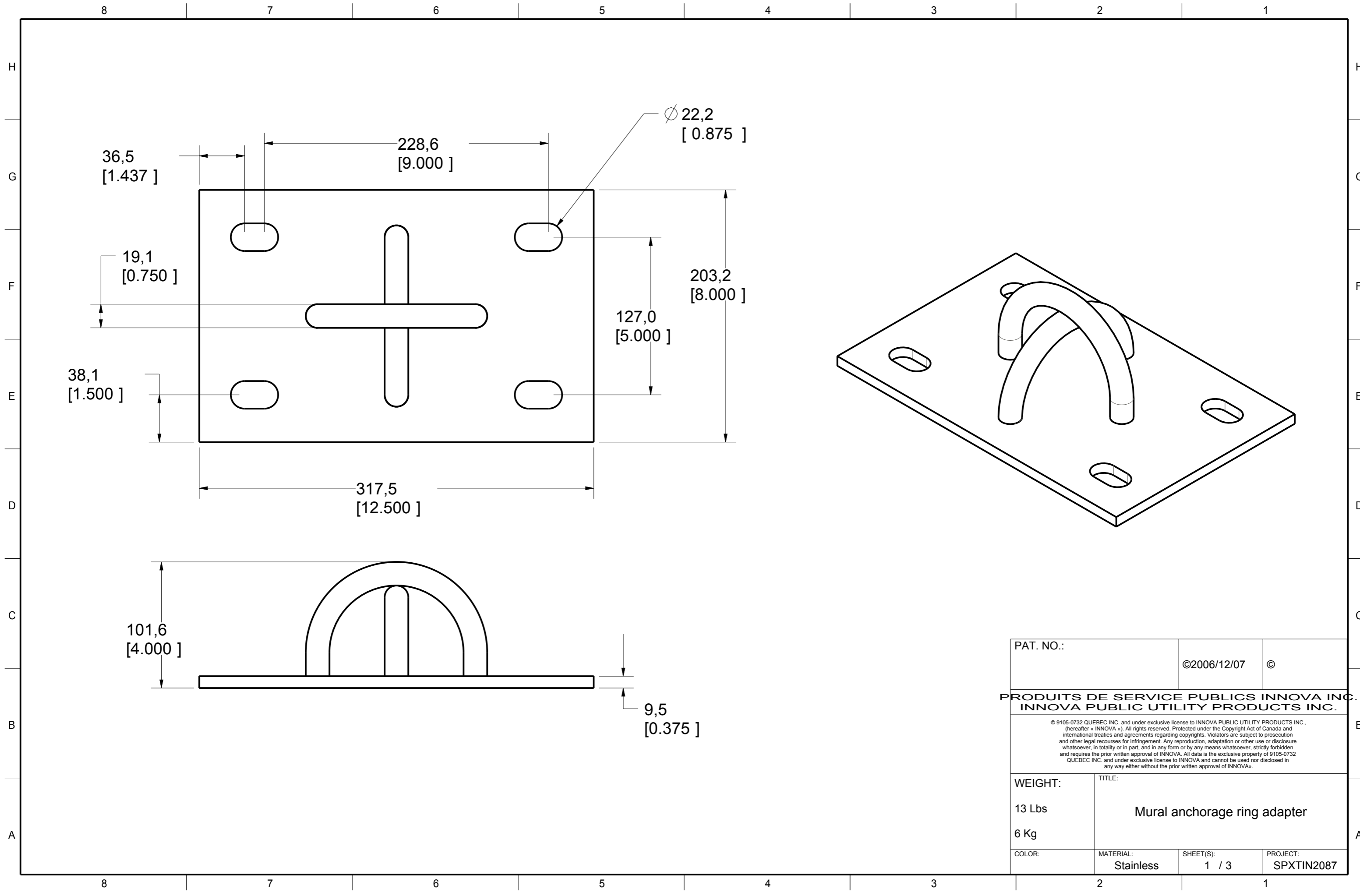
+61 2 4735 3630

E-mail

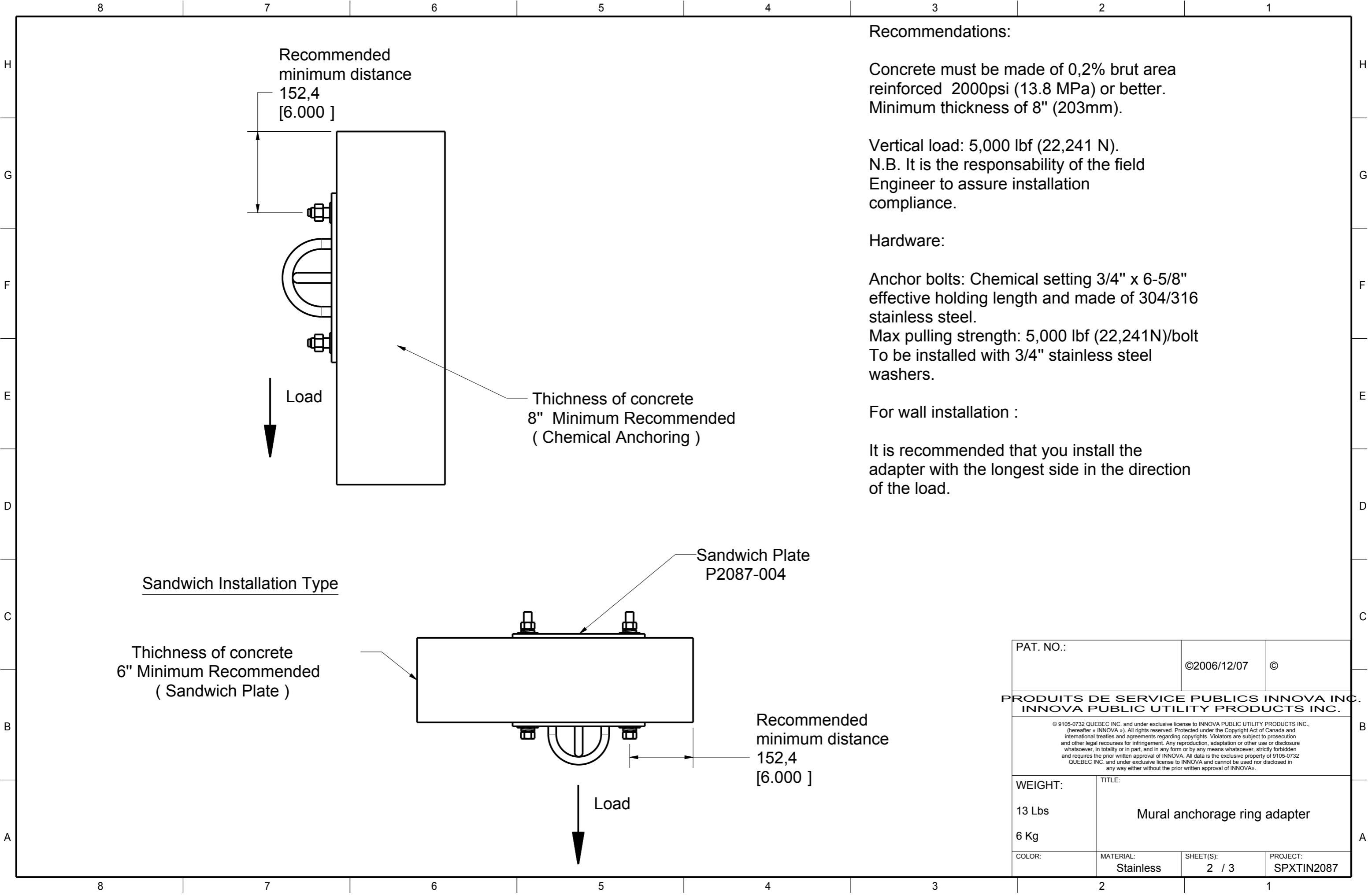
sales@spanset.com.au

Internet

www.spanset.com.au



PAT. NO.:		©2006/12/07		©
PRODUITS DE SERVICE PUBLICS INNOVA INC. INNOVA PUBLIC UTILITY PRODUCTS INC.				
<small>© 9105-0732 QUEBEC INC. and under exclusive license to INNOVA PUBLIC UTILITY PRODUCTS INC., (hereafter « INNOVA »). All rights reserved. Protected under the Copyright Act of Canada and international treaties and agreements regarding copyrights. Violators are subject to prosecution and other legal recourses for infringement. Any reproduction, adaptation or other use or disclosure whatsoever, in totality or in part, and in any form or by any means whatsoever, strictly forbidden and requires the prior written approval of INNOVA. All data is the exclusive property of 9105-0732 QUEBEC INC. and under exclusive license to INNOVA and cannot be used nor disclosed in any way either without the prior written approval of INNOVA.</small>				
WEIGHT:		TITLE:		
13 Lbs		Mural anchorage ring adapter		
6 Kg				
COLOR:	MATERIAL:	SHEET(S):	PROJECT:	
	Stainless	1 / 3	SPXTIN2087	



Recommendations:

Concrete must be made of 0,2% brut area reinforced 2000psi (13.8 MPa) or better. Minimum thickness of 8" (203mm).

Vertical load: 5,000 lbf (22,241 N).
 N.B. It is the responsability of the field Engineer to assure installation compliance.

Hardware:

Anchor bolts: Chemical setting 3/4" x 6-5/8" effective holding length and made of 304/316 stainless steel.
 Max pulling strength: 5,000 lbf (22,241N)/bolt
 To be installed with 3/4" stainless steel washers.

For wall installation :

It is recommended that you install the adapter with the longest side in the direction of the load.

Sandwich Installation Type

Thichness of concrete
 6" Minimum Recommended
 (Sandwich Plate)

Sandwich Plate
 P2087-004

Recommended
 minimum distance
 152,4
 [6.000]

PAT. NO.:		©2006/12/07	©
PRODUITS DE SERVICE PUBLICS INNOVA INC. INNOVA PUBLIC UTILITY PRODUCTS INC.			
<small>© 9105-0732 QUEBEC INC. and under exclusive license to INNOVA PUBLIC UTILITY PRODUCTS INC., (hereafter « INNOVA »). All rights reserved. Protected under the Copyright Act of Canada and international treaties and agreements regarding copyrights. Violators are subject to prosecution and other legal recourses for infringement. Any reproduction, adaptation or other use or disclosure whatsoever, in totality or in part, and in any form or by any means whatsoever, strictly forbidden and requires the prior written approval of INNOVA. All data is the exclusive property of 9105-0732 QUEBEC INC. and under exclusive license to INNOVA and cannot be used nor disclosed in any way either without the prior written approval of INNOVA».</small>			
WEIGHT:	TITLE:		
13 Lbs	Mural anchorage ring adapter		
6 Kg			
COLOR:	MATERIAL:	SHEET(S):	PROJECT:
	Stainless	2 / 3	SPXTIN2087

SPECIFICATIONS

This product is man rated with a maximum working capacity of 360lbs (164kg). It is only to be used in conjunction with personal fall arrest equipment that limits the maximum arrest force (MAF).

Maximum working load : 360 lbf (1614 N)
 Maximum conception load : 5000 lbf (22 241 N)

STANDARDS

Meets the following standards:
 OSHA Personal fall arrest system - 1910.66 App C
 ANSI Safety requirements for personal fall arrest system, subsystems and components Z359.1 07
 CAN/CSA Fall arresters, vertical lifelines, and rails Z259.2.1-98

MATERIAL AND CONSTRUCTION

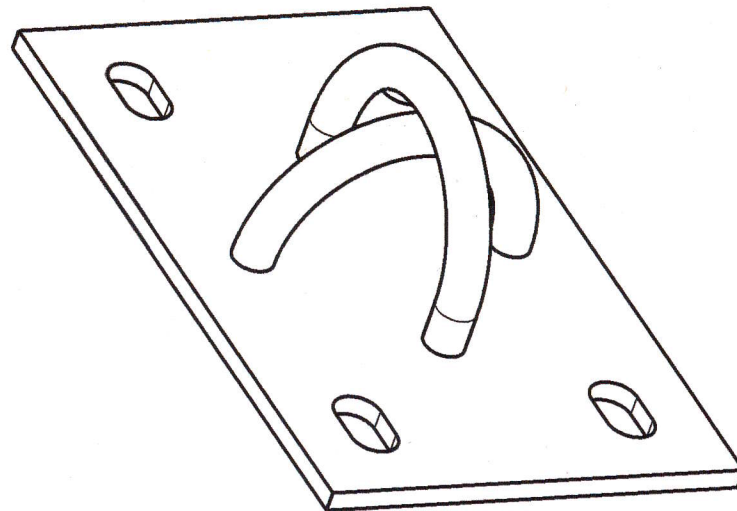
Plate and hooks : 304 Stainless Steel
 Welding Certification : CSA W59 & W47.1, AWS DI.6

RESTRICTIONS

IMPORTANT :

Anchorage hardware must be installed by qualified and experienced personnel. The installer must follow the anchorage hardware manufacturers recommendations at all time. Periodic inspections of hardware must be done. All equipment and hardware must be inspected before re-using by qualified personnel when a fall has occurred.

Product number : SPXTIN2087



PAT. NO. :		©2006/12/07 ©	
PRODUITS DE SERVICE PUBLICS INNOVA INC. INNOVA PUBLIC UTILITY PRODUCTS INC.			
<small>© 9105-0732 QUEBEC INC. and under exclusive license to INNOVA PUBLIC UTILITY PRODUCTS INC., thereafter s. INNOVA s.l. All rights reserved. Protected under the Copyright Act of Canada and international treaties and agreements regarding copyrights. Violators are subject to prosecution and other legal recourse for infringement. Any reproduction, adaptation or other use or disclosure whatsoever, in whole or in part, and in any form or by any means whatsoever, strictly forbidden and requires the prior written approval of INNOVA. All data is the exclusive property of 9105-0732 QUEBEC INC. and under exclusive license to INNOVA and cannot be used nor disclosed in any way either without the prior written approval of INNOVA.</small>			
WEIGHT:	TITLE:		
13 Lbs	Mural anchorage ring adapter		
6 Kg	MATERIAL:	SHEETTS:	PROJECT:
	Stainless	3 / 3	SPXTIN2087

23/11/10