

SPXTIN2108-01: 4 Sided Safety Barricade 42"



SpanSet Australia Ltd

150 Old Bathurst Road
Emu Plains
NSW 2750
Australia

Telephone

+61 2 4735 3955

Fax

+61 2 4735 3630

E-mail

sales@spanset.com.au

Internet

www.spanset.com.au

8

7

6

5

4

3

2

1

H

G

F

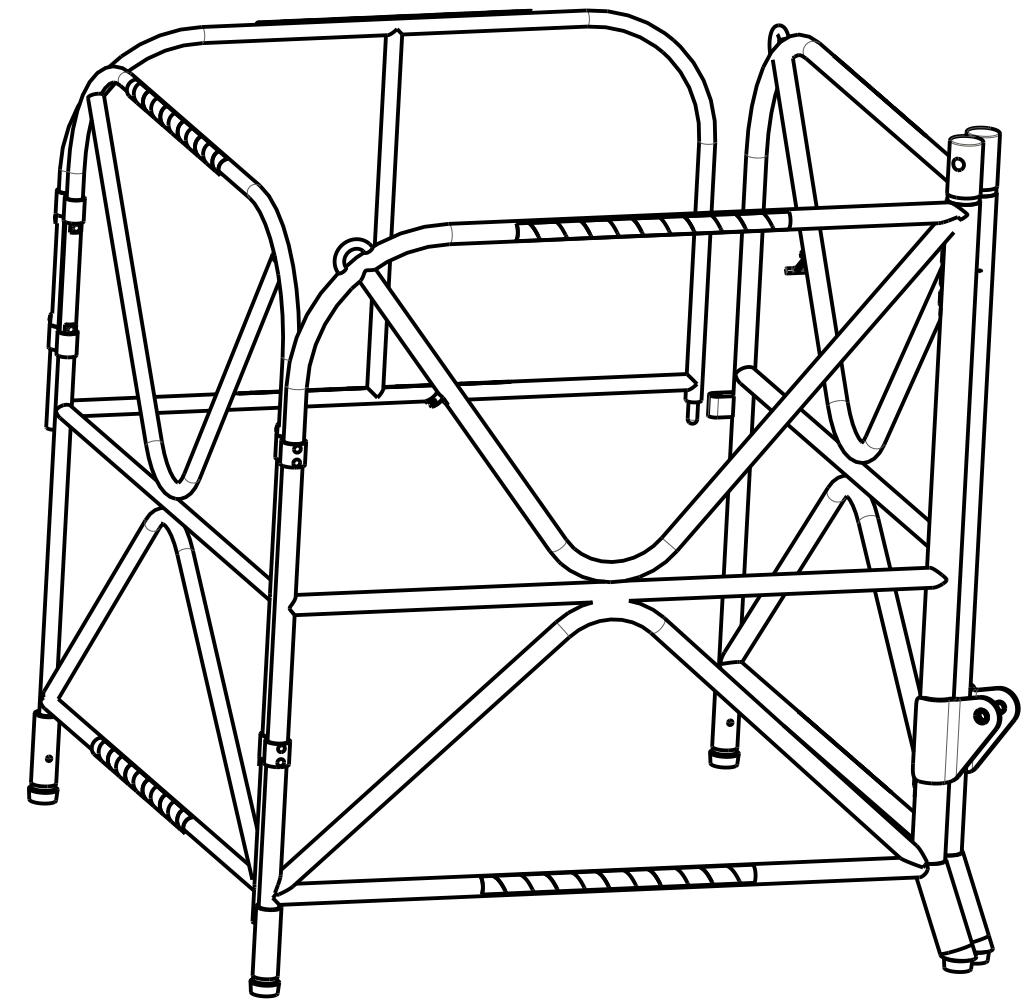
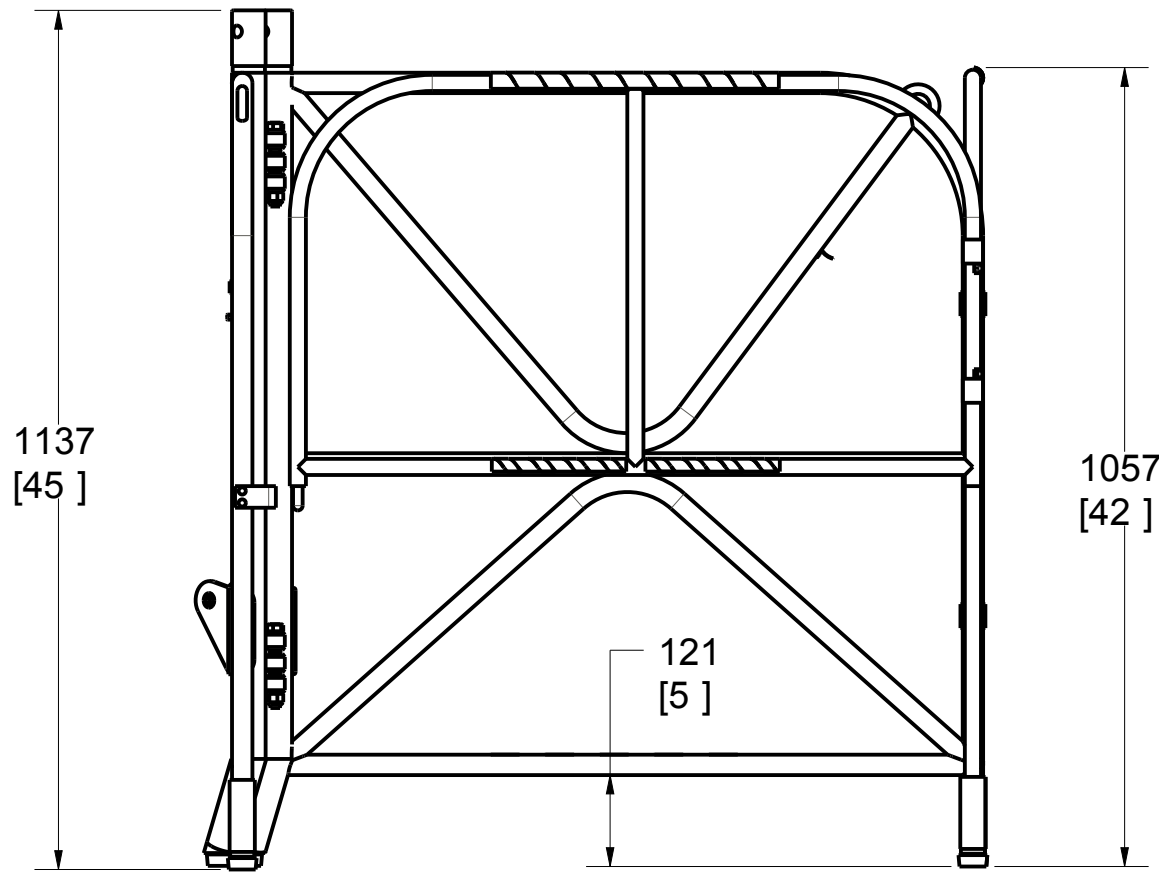
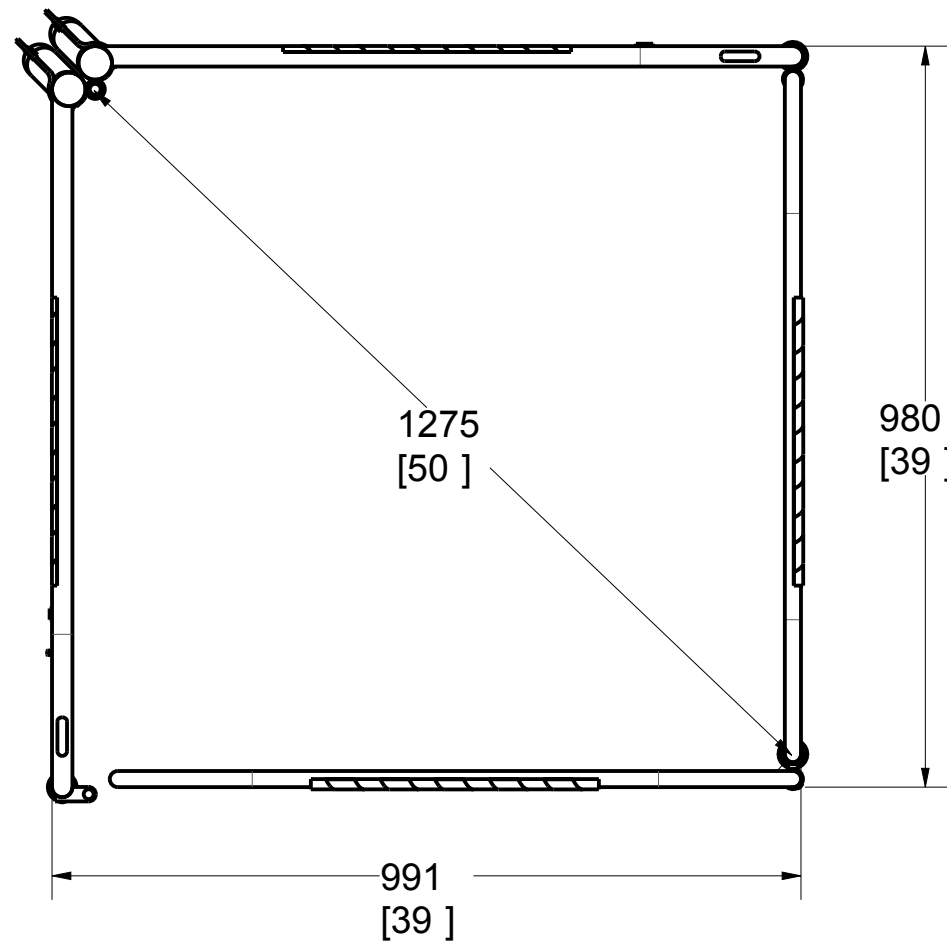
E

D

C

B

A



PAT. NO.:		©2008/03/03	
CA 2,479,513		©	
US 7,213,715 B2			
EP 03 744 296.9			
PRODUITS DE SERVICE PUBLICS INNOVA INC. INNOVA PUBLIC UTILITY PRODUCTS INC.			
<small>© 9105-0732 QUEBEC INC. and under exclusive license to INNOVA PUBLIC UTILITY PRODUCTS INC., (hereafter « INNOVA »). All rights reserved. Protected under the Copyright Act of Canada and international treaties and agreements regarding copyrights. Violators are subject to prosecution and other legal recourses for infringement. Any reproduction, adaptation or other use or disclosure whatsoever, in totality or in part, and in any form or by any means whatsoever, strictly forbidden and requires the prior written approval of INNOVA. All data is the exclusive property of 9105-0732 QUEBEC INC. and under exclusive license to INNOVA and cannot be used nor disclosed in any way either without the prior written approval of INNOVA.</small>			
WEIGHT:	TITLE:		
29 Lbs	4 sided safety barricade 42"		
13 Kg			
COLOR:	MATERIAL:	SHEET(S):	PROJECT:
Safety Yellow	ALu/Dural	1 / 4	SPXTIN2108

8

7

6

5

4

3

2

1

H

G

F

E

D

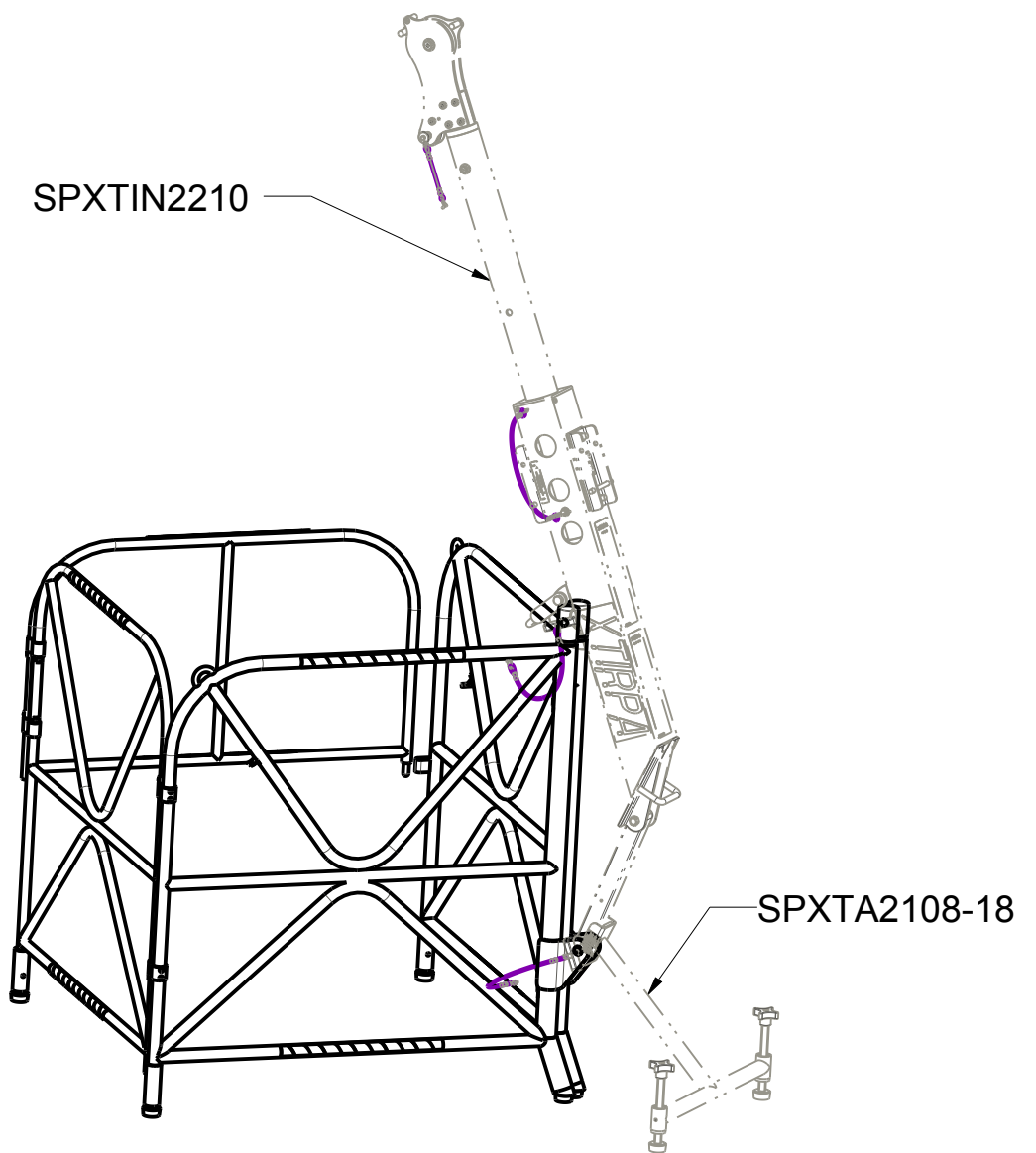
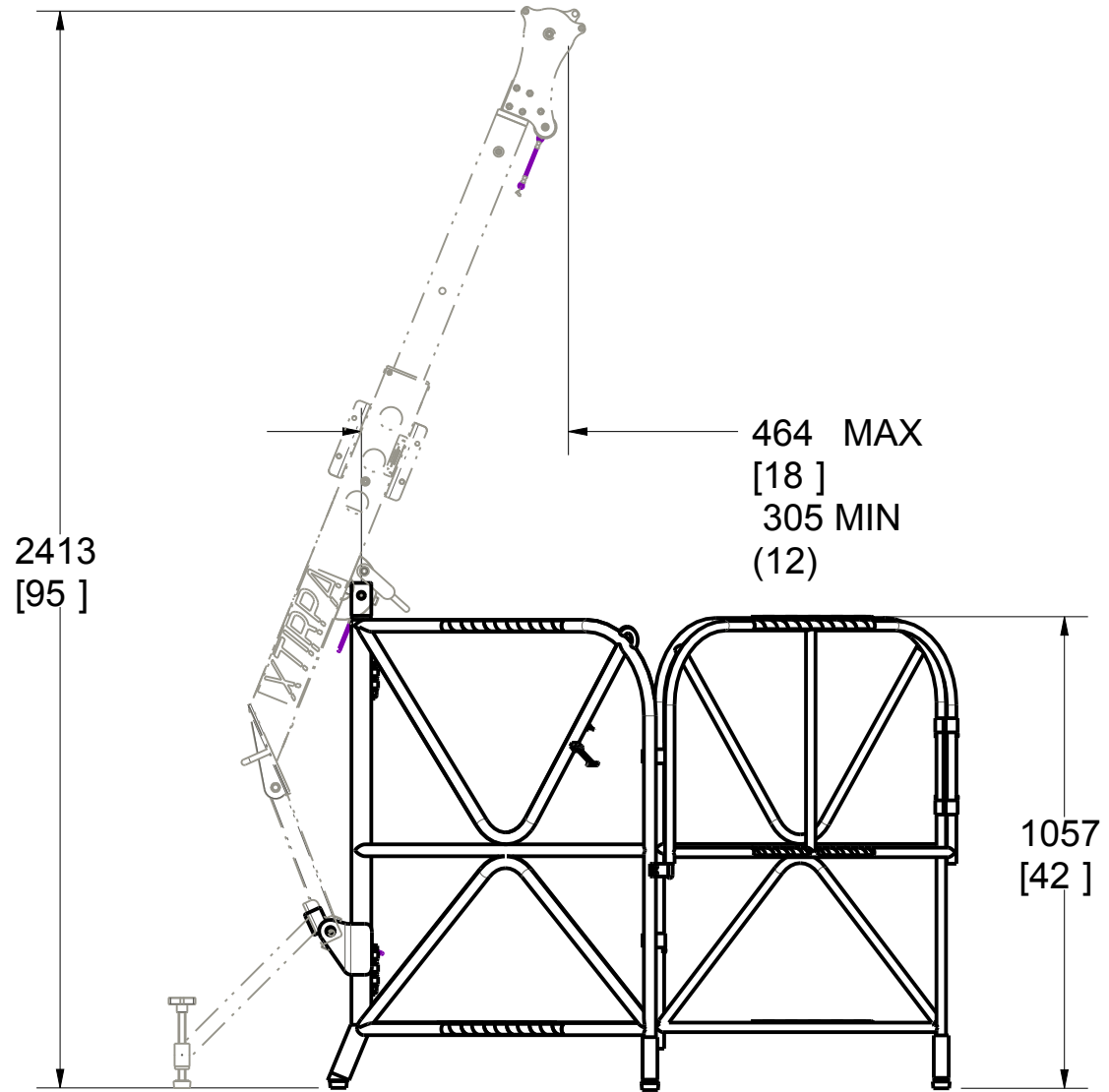
C

B

A

8 7 6 5 4 3 2 1

H G F E D C B A



CECI EST UN DESSIN D'UN INGÉNIEUR
 NOM DU FICHER DESSIN: DA2108-01_ANG .dwg
 NOM ET TYPE DU FICHER MODELE: DA2108-01_ASSEM

PAT. NO.: CA 2.479.513 US 7,213,715 B2 EP 03 744 296.9	©2008/03/03	©
---	-------------	---

PRODUITS DE SERVICE PUBLICS INNOVA INC.
INNOVA PUBLIC UTILITY PRODUCTS INC.

© 9105-0732 QUEBEC INC. and under exclusive license to INNOVA PUBLIC UTILITY PRODUCTS INC., (hereafter « INNOVA »). All rights reserved. Protected under the Copyright Act of Canada and international treaties and agreements regarding copyrights. Violators are subject to prosecution and other legal recourses for infringement. Any reproduction, adaptation or other use or disclosure whatsoever, in totality or in part, and in any form or by any means whatsoever, strictly forbidden and requires the prior written approval of INNOVA. All data is the exclusive property of 9105-0732 QUEBEC INC. and under exclusive license to INNOVA and cannot be used nor disclosed in any way either without the prior written approval of INNOVA.

WEIGHT: 29 Lbs 13 Kg	TITLE: 4 sided safety barricade 42"
----------------------------	---

COLOR: Safety Yellow	MATERIAL: ALu/Dural	SHEET(S): 2 / 4	PROJECT: SPXTIN2108
-------------------------	------------------------	--------------------	------------------------

8 7 6 5 4 3 2 1

H G F E D C B A

8 7 6 5 4 3 2 1
SPECIFICATIONS

H Working Load (mass) :
 With Davit Arm SPXTIN2002 or SPXTIN2210: 191 kg (420 lbs)

Max Capacity without deformation:
 With Davit Arm fully extended SPXTIN2002 or SPXTIN2210: 19,798 N (4,440 lbf)
 With Davit Arm SPXTIN2002 or SPXTIN2210 at Anchorage point : 22,295 N (5000 lbf)
 G Maximum Moment : 8765 N-m (77,580 lbf-in)

F **STANDARDS**

Meets the following standards:
 OSHA Personal fall arrest system - 1910.66 App C
 ANSI Safety requirements for personal fall arrest system,
 subsystems and components Z359.1 (R1999)
 E CAN/CSA Fall arresters, vertical lifelines, and rails Z259.2.1-98

D **MATERIAL AND CONSTRUCTION**

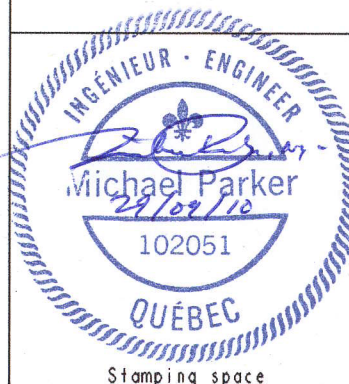
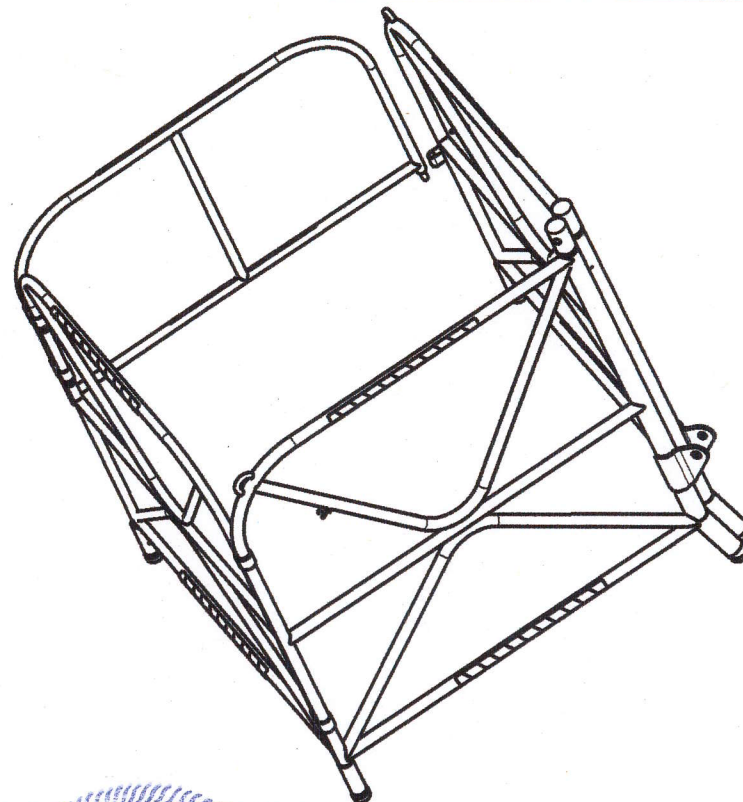
Structural tubes : Duralcan and Aluminum 6061-T6
 Levelling Screws : Stainless Steel and Rubber
 Hardware : Zinc plated steel Gr. 5 and stainless steel
 Finish : Yellow security powder paint with metal protection.
 Welding certification: CSA W47.2M

C **RESTRICTIONS**

This product is to be used only with products approved by Innova public utility products INC.

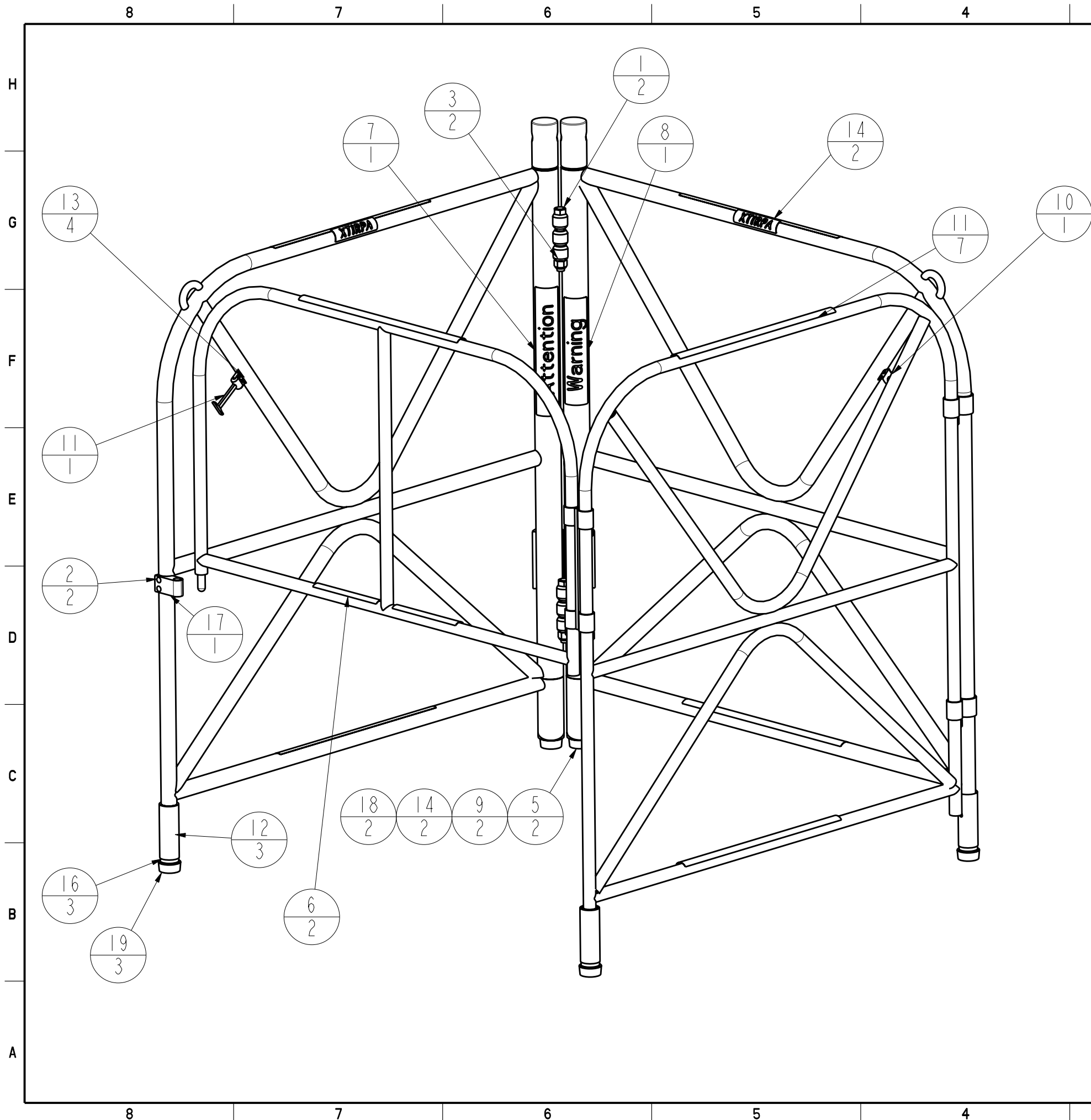
B Important:
 This product is man rated and shall be used in conjunction with
 Fall Arrest Equipment which limits the maximum arrest force (MAF).

Product number : SPXTIN2108



PAT. NO.:		02008/03/03	
CA 2,479,513			
US 7,213,715 B2			
EP 03 744 296.9			
PRODUITS DE SERVICE PUBLICS INNOVA INC. INNOVA PUBLIC UTILITY PRODUCTS INC.			
<small>© 9105-9732 QUEBEC INC. and under exclusive license to INNOVA PUBLIC UTILITY PRODUCTS INC. (hereafter "INNOVA"). All rights reserved. Protected under the Copyright Act of Canada and international treaties and agreements regarding copyrights. Violators are subject to prosecution and other legal remedies for infringement. Any reproduction, adaptation or other use or disclosure whatsoever, in totality or in part, and in any form or by any means whatsoever, strictly forbidden and requires the prior written approval of INNOVA. All data is the exclusive property of 9105-9732 QUEBEC INC. and under exclusive license to INNOVA and cannot be used nor disclosed in any way either without the prior written approval of INNOVA.</small>			
WEIGHT:	TITLE:		
29 Lbs	4 sided safety barricade 42"		
13 Kg			
COLOR:	MATERIAL:	SHEETS:	PROJECT:
Safety Yellow	ALU/Dural	3 / 4	SPXTIN2108

8 7 6 5 4 3 2 1



IDX	QTE	COMPOSANTE	REV	DESCRIPTION	MATERIAU
19	3	A2001-09		Adjustable leg for Xtirpa Barricade	
18	2	2333		Flat washer 1/4 x .065	
17	1	P2001-035		Door stop	UHMW Noir
16	3	P2001-017	03	Cylinder for adjustable leg	Delrin Noir
15	2	S2001-003		Sticker SpanSet Xtirpa	
14	2	301-443		Rivet 1/4" x 0.625"	
13	4	310-803		Pop rivets 1/8" x 0.515"	
12	3	310-802		Pop rivets 1/8" x 0.390"	
11	1	372007120B		Latch (handle)	
10	1	372007120A		Hook (keeper)	
9	2	672-057YZ		Ext. overlap tooth lckwshr 1/4"	
8	1	S2001-002		Sticker "Warning" for Manhole Guard	
7	1	S2001-001		Sticker "Mise en Garde" pour barricade, (français)	
6	2	RST-106-COURT		Short Reflective band 1" x 30' yellow/black	
5	2	RB-115		Rubber bumper 1-1/2" x 5/8" x 3/4"	
4	7	RST-116		Reflective band 1" x 30' yellow/black	
3	2	HN-2035		Nylon Insert Hex Locknuts 1/2-13 ss	
2	2	310-805		Pop rivet SS 3/16" x 0.565"	
1	2	HC-83		Bolt unc 1/2"-13 x 4" steel	

PAT. NO.:			
CA 2,479,513		©2008/03/03 ©	
US 7,213,715 B2			
EP 03 744 296.9			
PRODUITS DE SERVICE PUBLICS INNOVA INC. INNOVA PUBLIC UTILITY PRODUCTS INC.			
<small>© 9105-0732 QUEBEC INC. and under exclusive license to INNOVA PUBLIC UTILITY PRODUCTS INC., (hereafter « INNOVA »). All rights reserved. Protected under the Copyright Act of Canada and international treaties and agreements regarding copyrights. Violators are subject to prosecution and other legal recourses for infringement. Any reproduction, adaptation or other use or disclosure whatsoever, in totality or in part, and in any form or by any means whatsoever, strictly forbidden and requires the prior written approval of INNOVA. All data is the exclusive property of 9105-0732 QUEBEC INC. and under exclusive license to INNOVA and cannot be used nor disclosed in any way either without the prior written approval of INNOVA.</small>			
WEIGHT:	TITLE:		
29 Lbs	4 sided safety barricade 42"		
13 Kg			
COLOR:	MATERIAL:	SHEET(S):	PROJECT:
Safety Yellow	ALu/Dural	4 / 4	SPXTIN2008