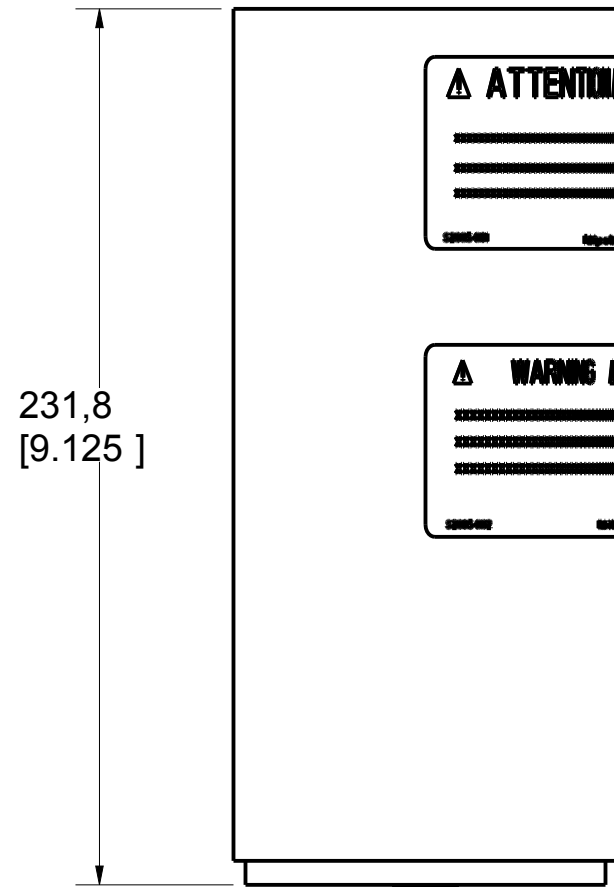
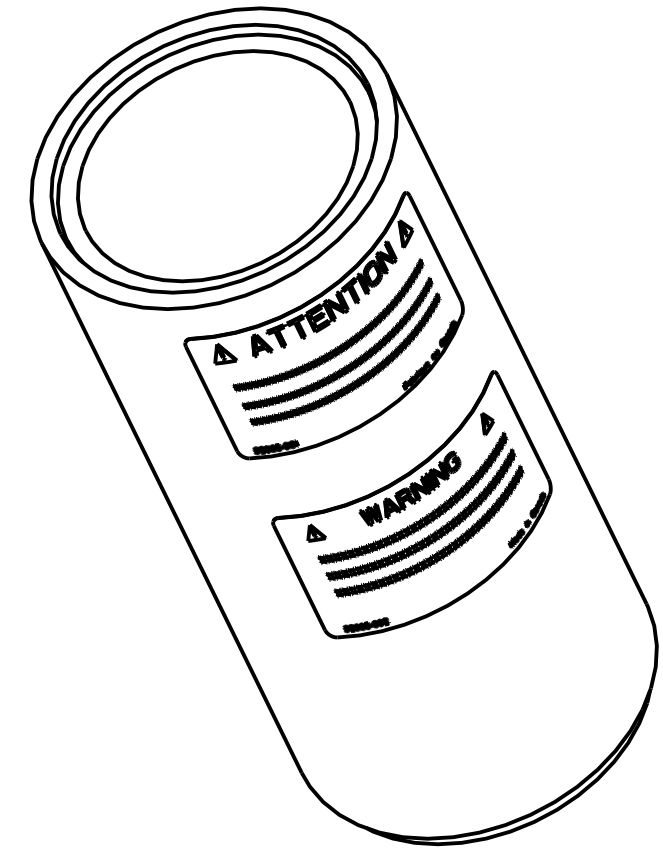
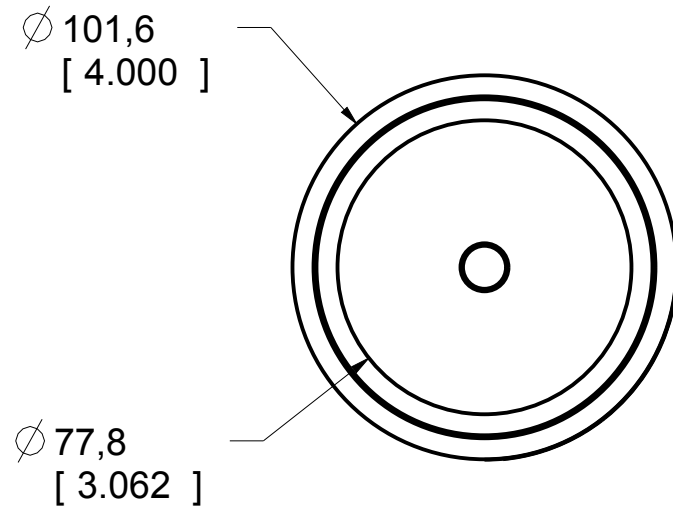
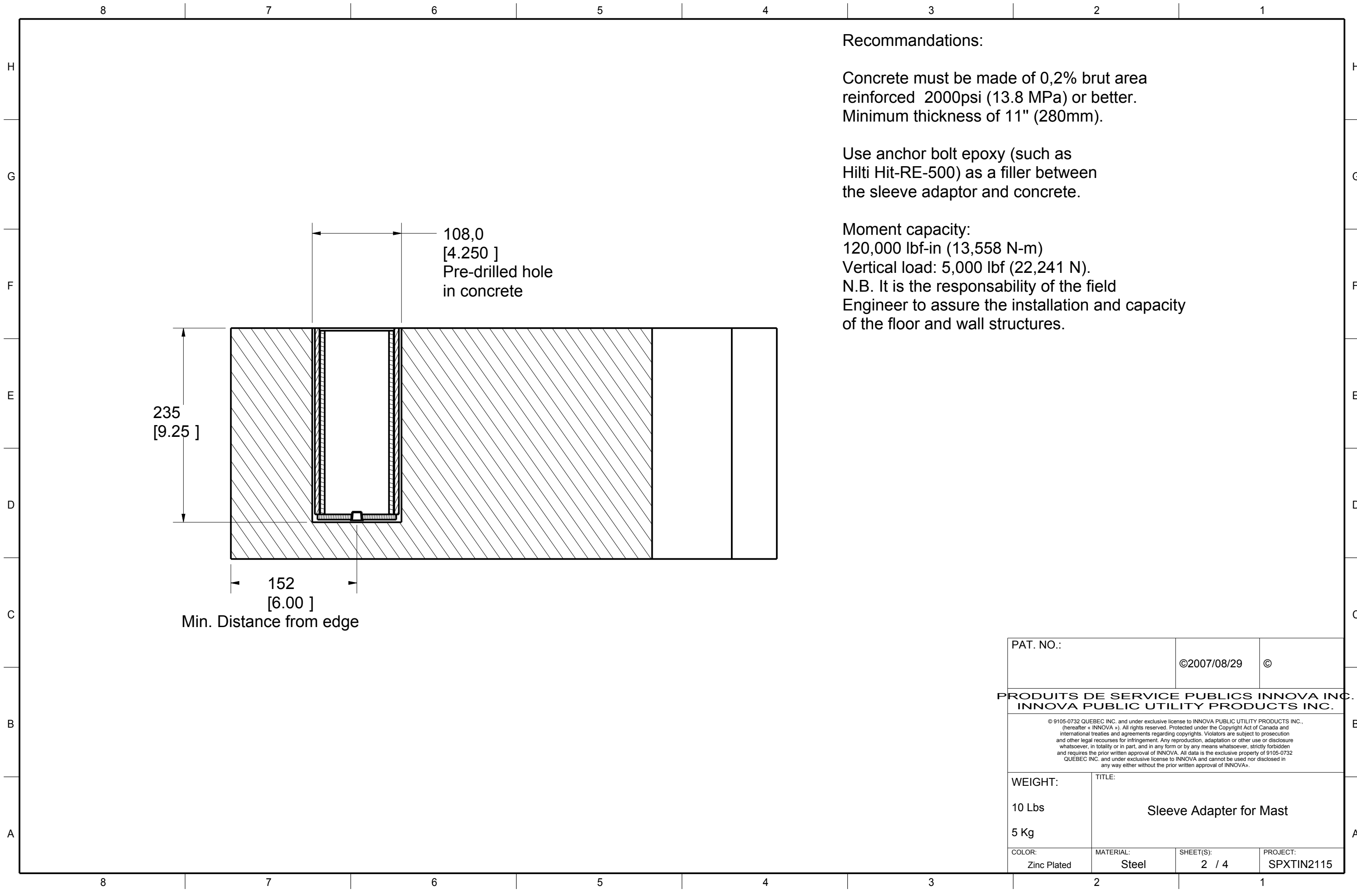




Product number: SPXTIN2115



PAT. NO.:		©2007/08/29	©
<b>PRODUITS DE SERVICE PUBLICS INNOVA INC.</b> <b>INNOVA PUBLIC UTILITY PRODUCTS INC.</b>			
<small>© 9105-0732 QUEBEC INC. and under exclusive license to INNOVA PUBLIC UTILITY PRODUCTS INC., (hereafter « INNOVA »). All rights reserved. Protected under the Copyright Act of Canada and international treaties and agreements regarding copyrights. Violators are subject to prosecution and other legal recourses for infringement. Any reproduction, adaptation or other use or disclosure whatsoever, in totality or in part, and in any form or by any means whatsoever, strictly forbidden and requires the prior written approval of INNOVA. All data is the exclusive property of 9105-0732 QUEBEC INC. and under exclusive license to INNOVA and cannot be used nor disclosed in any way either without the prior written approval of INNOVA.</small>			
WEIGHT:	TITLE:		
10 Lbs	Sleeve Adapter for Mast		
5 Kg			
COLOR:	MATERIAL:	SHEET(S):	PROJECT:
Zinc Plated	Steel	1 / 4	SPXTIN2115



**Recommandations:**

Concrete must be made of 0,2% brut area reinforced 2000psi (13.8 MPa) or better. Minimum thickness of 11" (280mm).

Use anchor bolt epoxy (such as Hilti Hit-RE-500) as a filler between the sleeve adaptor and concrete.

Moment capacity:  
 120,000 lbf-in (13,558 N-m)  
 Vertical load: 5,000 lbf (22,241 N).  
 N.B. It is the responsibility of the field Engineer to assure the installation and capacity of the floor and wall structures.

PAT. NO.:		©2007/08/29		©
<b>PRODUITS DE SERVICE PUBLICS INNOVA INC. INNOVA PUBLIC UTILITY PRODUCTS INC.</b>				
<small>© 9105-0732 QUEBEC INC. and under exclusive license to INNOVA PUBLIC UTILITY PRODUCTS INC., (hereafter « INNOVA »). All rights reserved. Protected under the Copyright Act of Canada and international treaties and agreements regarding copyrights. Violators are subject to prosecution and other legal recourses for infringement. Any reproduction, adaptation or other use or disclosure whatsoever, in totality or in part, and in any form or by any means whatsoever, strictly forbidden and requires the prior written approval of INNOVA. All data is the exclusive property of 9105-0732 QUEBEC INC. and under exclusive license to INNOVA and cannot be used nor disclosed in any way either without the prior written approval of INNOVA.</small>				
WEIGHT:	TITLE:			
10 Lbs	<b>Sleeve Adapter for Mast</b>			
5 Kg				
COLOR:	MATERIAL:	SHEET(S):	PROJECT:	
Zinc Plated	Steel	2 / 4	SPXTIN2115	

8 7 6 5 4 3 2 1

**SPECIFICATIONS**

H This product is man rated with a maximum working capacity of 360lbs (164kg). It is only to be used in conjunction with personal fall arrest equipment that limits the maximum arrerst force (MAF).

G Maximum Working Moment : 976 N-m (8,640 lbf-in)  
Maximum Moment : 13,558 N-m (120,000 lbf-in)

**STANDARDS**

F Meets the following standards:  
OSHA Personal fall arrest system - 1910.66 App C  
ANSI Safety requirements for personal fall arrest system, subsystems and components Z359.1 R1999 / 2007  
CAN/CSA Fall arresters, vertical lifelines, and rails Z259.2.1-98

**MATERIAL AND CONSTRUCTION**

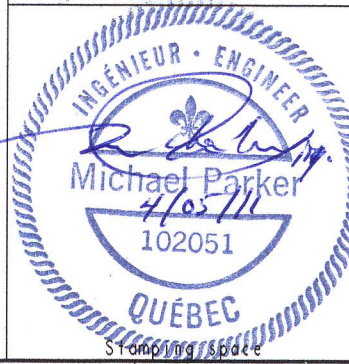
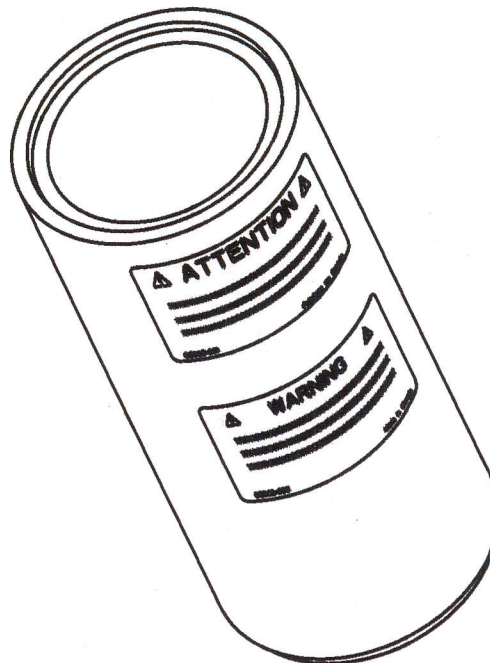
D Plate : Steel 44W (300W) CSA G40.21  
Sleeve : 1026 DOM Steel  
Finish : Zinc plated, ASTM B633-85, Type III, SC2  
Sleeve bearing : PVC Pipe.  
Welding Certification : CSA W59 & W47.1, AWS D1.6

**RESTRICTIONS**

**IMPORTANT :**

B Adaptors are designed to function only with Innova public utility products INC. equipment.  
All equipment must be inspected before re-using by qualified personnel when a fall has accured.

Product number : SPXTIN2115



PAT. NO. :		©2007/08/29 ©	
<b>PRODUITS DE SERVICE PUBLICS INNOVA INC.</b> <b>INNOVA PUBLIC UTILITY PRODUCTS INC.</b>			
<small>© 9105-0732 QUEBEC INC. and under exclusive license to INNOVA PUBLIC UTILITY PRODUCTS INC., Sherbrooke, QUEBEC, QC. All rights reserved. Protected under the Copyright Act of Canada and international treaties and agreements regarding copyrights. Violators are subject to prosecution and other legal recourse for infringement. Any reproduction, adaptation or offset use or disclosure whatsoever, in totality or in part, and in any form or by any means whatsoever, strictly forbidden and requires the prior written approval of INNOVA. All data is the exclusive property of 9105-0732 QUEBEC INC. and under exclusive license to INNOVA and cannot be used nor disclosed in any way either without the prior written approval of INNOVA.</small>			
WEIGHT:	TITLE:		
10 Lbs	Sleeve Adapter for Mast		
5 Kg			
COLOR:	MATERIAL:	SHEET(S):	PROJECT:
Zinc Plated	Steel	3 / 4	SPXTIN2115

Stamping plate

8

7

6

5

4

3

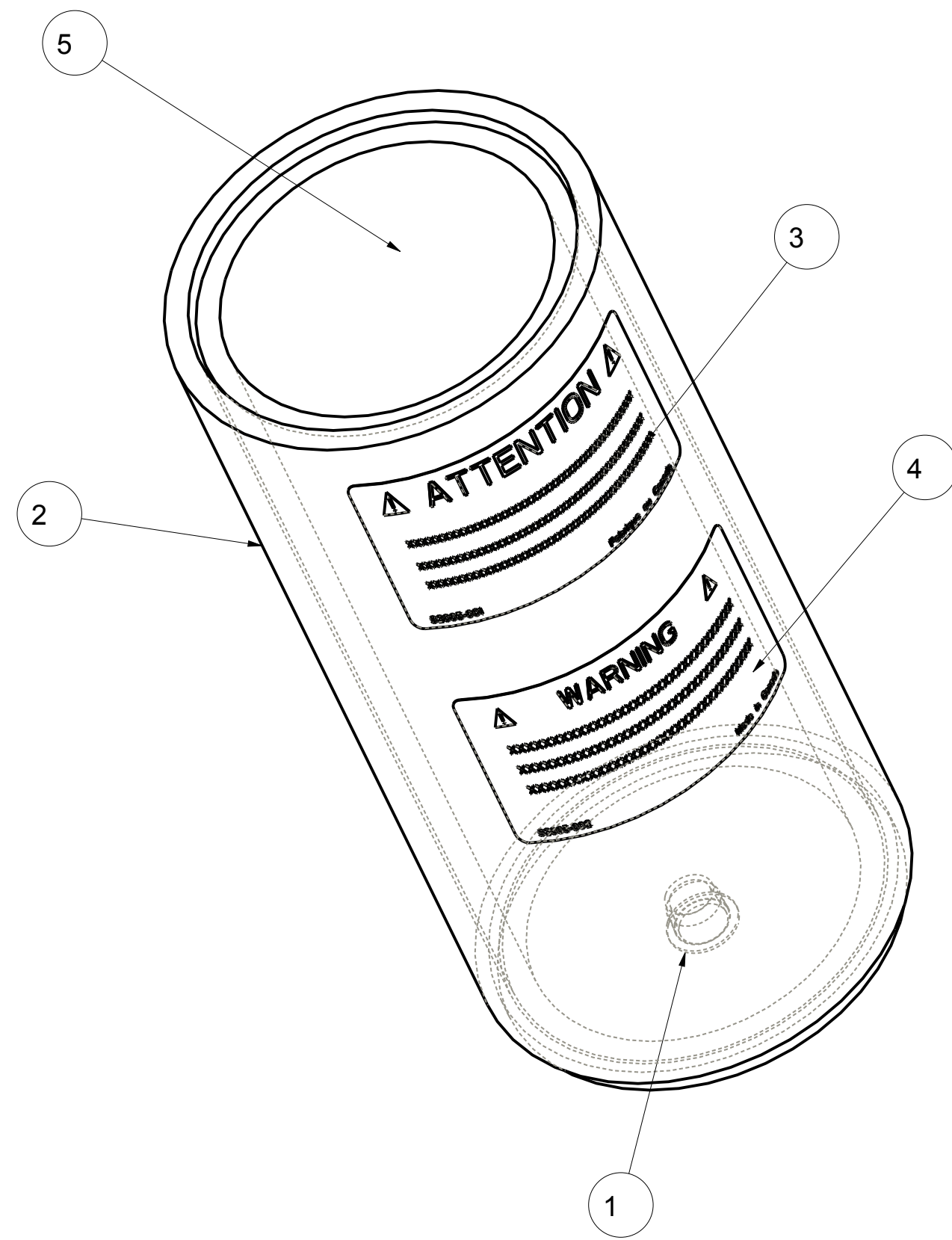
2

1

Product number: SPXTIN2115

5	1	P2006-004		Chemise de cylindre	PVC Ced. 40
4	1	S2005-002	RevA	Étiquette "WARNING"	
3	1	S2005-001	RevA	Étiquette "ATTENTION"	
2	1	SPXTA2115-02	01	Ass soudé de l'adaptateur cylindre pour mât (acier plaqué zinc)	
1	1	317-129		Bouchon effilé 7/16 Plastique	
IDX	QTE	COMPOSANTE	REV	DESCRIPTION	MATERIAU

H  
G  
F  
E  
D  
C  
B  
A



PAT. NO.:		©2007/08/29	©
<b>PRODUITS DE SERVICE PUBLICS INNOVA INC.</b> <b>INNOVA PUBLIC UTILITY PRODUCTS INC.</b>			
<small>© 9105-0732 QUEBEC INC. and under exclusive license to INNOVA PUBLIC UTILITY PRODUCTS INC., (hereafter « INNOVA »). All rights reserved. Protected under the Copyright Act of Canada and international treaties and agreements regarding copyrights. Violators are subject to prosecution and other legal recourses for infringement. Any reproduction, adaptation or other use or disclosure whatsoever, in totality or in part, and in any form or by any means whatsoever, strictly forbidden and requires the prior written approval of INNOVA. All data is the exclusive property of 9105-0732 QUEBEC INC. and under exclusive license to INNOVA and cannot be used nor disclosed in any way either without the prior written approval of INNOVA.</small>			
WEIGHT:	TITLE:		
10 Lbs	Sleeve Adapter for Mast		
5 Kg			
COLOR:	MATERIAL:	SHEET(S):	PROJECT:
Zinc Plated	Steel	4 / 4	SPXTIN2115

8

7

6

5

4

3

2

1