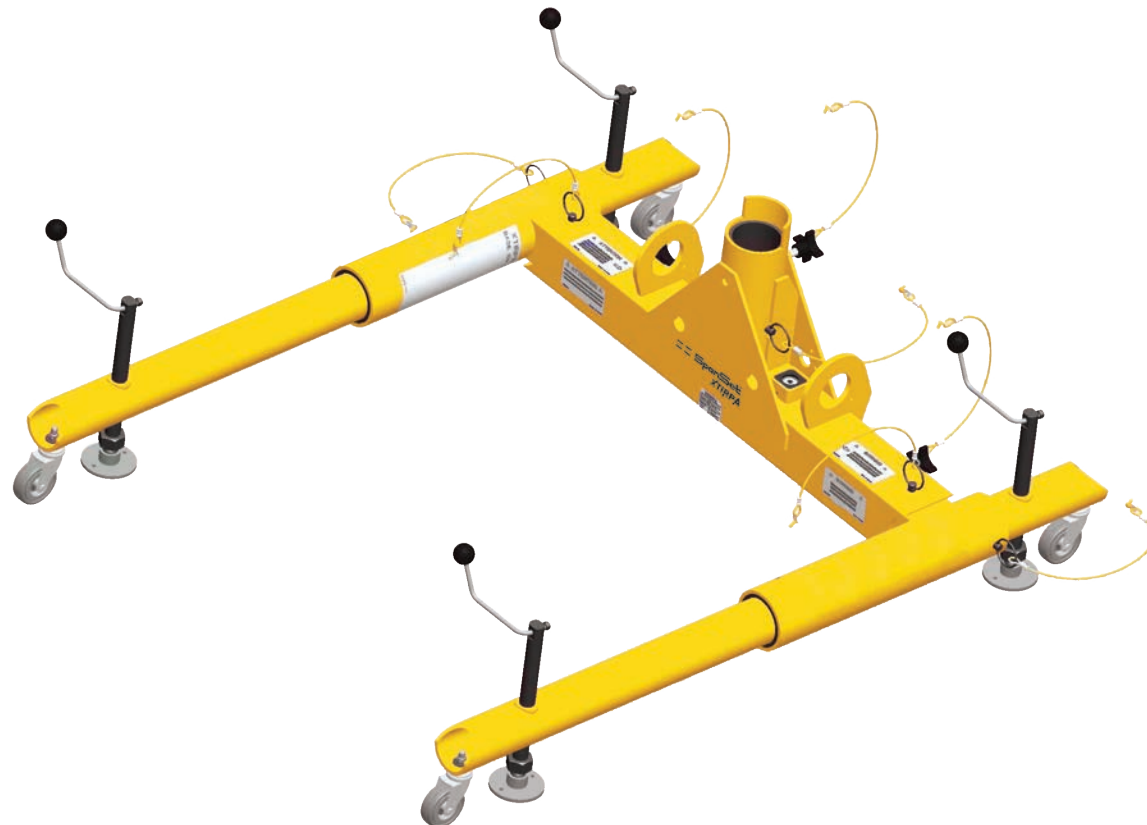


SPXTIN2118-01: H Base



SpanSet Australia Ltd

150 Old Bathurst Road
Emu Plains
NSW 2750
Australia

Telephone

+61 2 4735 3955

Fax

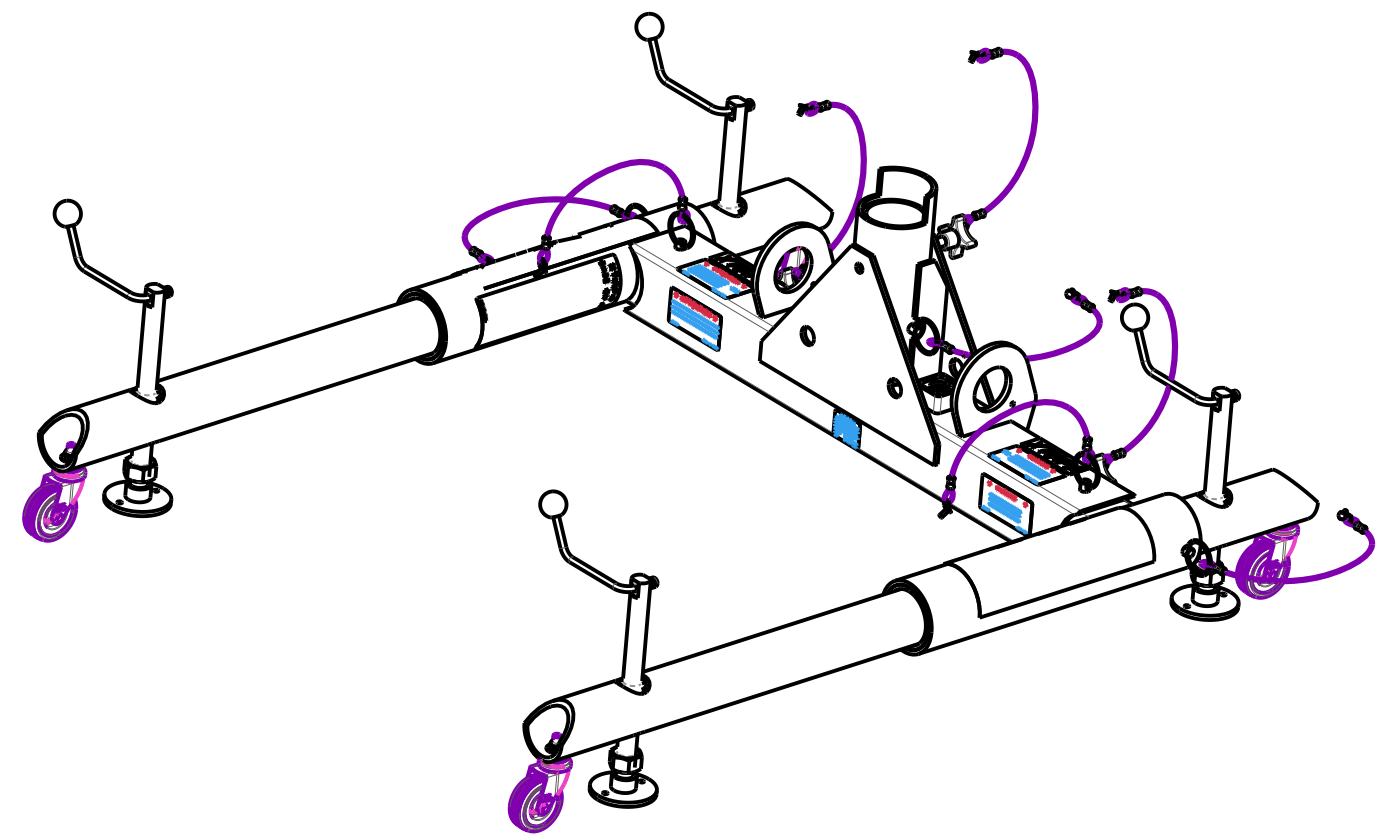
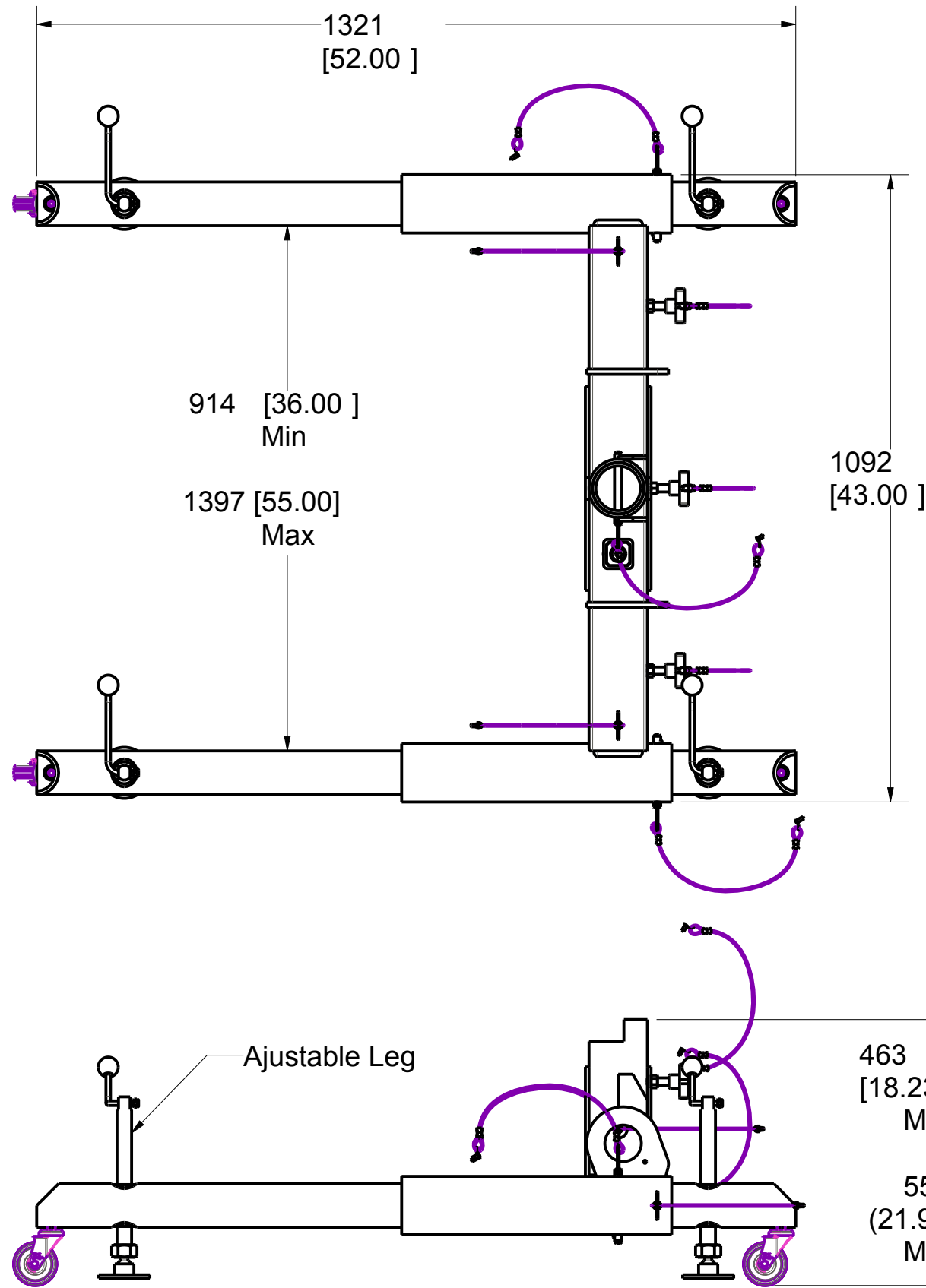
+61 2 4735 3630

E-mail

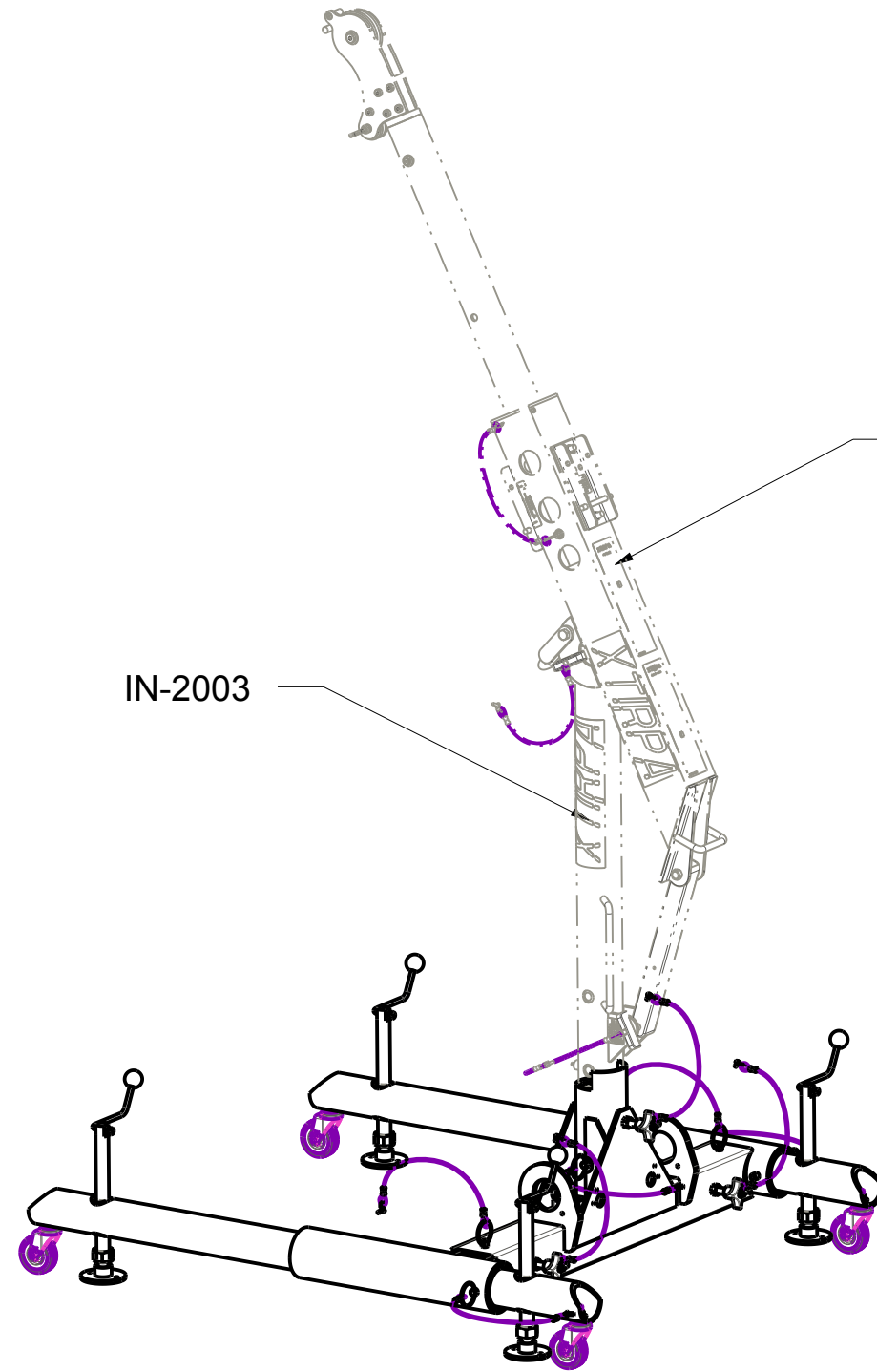
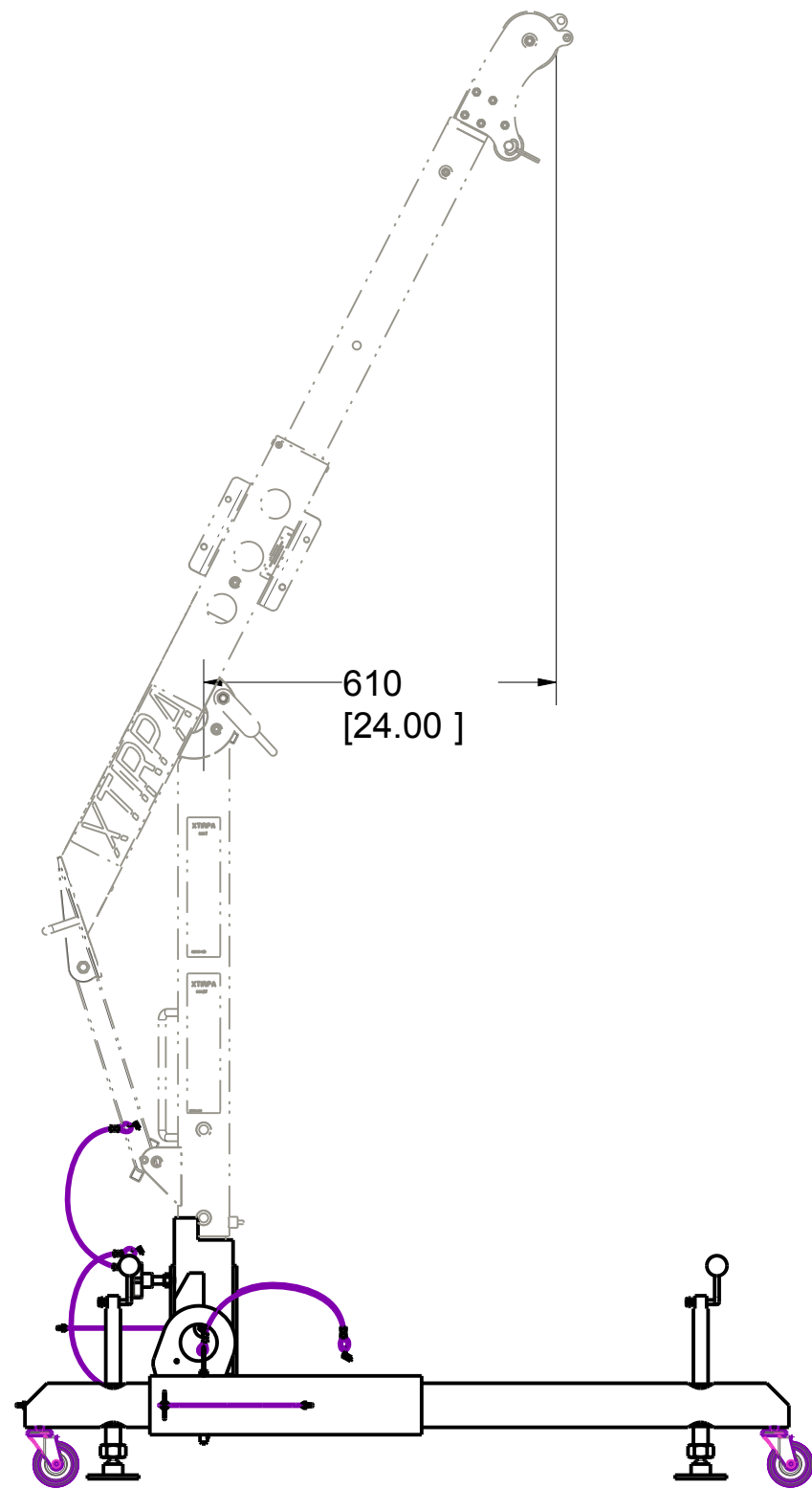
sales@spanset.com.au

Internet

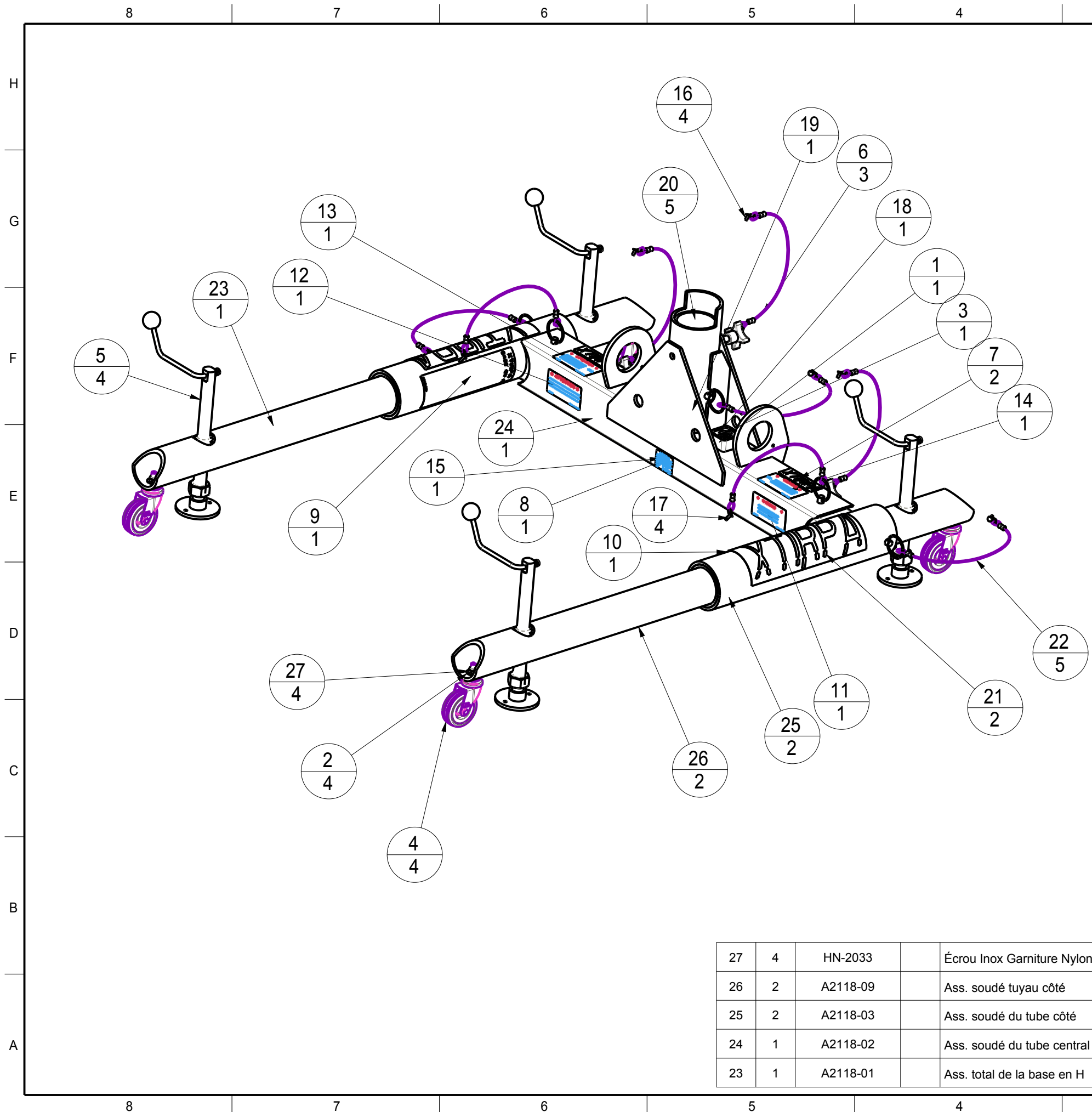
www.spanset.com.au



PAT. NO.:		©2007/10/30	©
PRODUITS DE SERVICE PUBLICS INNOVA INC. INNOVA PUBLIC UTILITY PRODUCTS INC.			
<small>© 9105-0732 QUEBEC INC. and under exclusive license to INNOVA PUBLIC UTILITY PRODUCTS INC., (hereafter « INNOVA »). All rights reserved. Protected under the Copyright Act of Canada and international treaties and agreements regarding copyrights. Violators are subject to prosecution and other legal recourses for infringement. Any reproduction, adaptation or other use or disclosure whatsoever, in totality or in part, and in any form or by any means whatsoever, strictly forbidden and requires the prior written approval of INNOVA. All data is the exclusive property of 9105-0732 QUEBEC INC. and under exclusive license to INNOVA and cannot be used nor disclosed in any way either without the prior written approval of INNOVA.</small>			
WEIGHT: 81 Lbs 36.82 Kg	TITLE: H Base		
COLOR: Yellow security	MATERIAL: Aluminum	SHEET(S): 1 / 4	PROJECT: SPXTIN2118



PAT. NO.:		©2007/10/30	©
PRODUITS DE SERVICE PUBLICS INNOVA INC. INNOVA PUBLIC UTILITY PRODUCTS INC.			
© 9105-0732 QUEBEC INC. and under exclusive license to INNOVA PUBLIC UTILITY PRODUCTS INC., (hereafter « INNOVA »). All rights reserved. Protected under the Copyright Act of Canada and international treaties and agreements regarding copyrights. Violators are subject to prosecution and other legal recourses for infringement. Any reproduction, adaptation or other use or disclosure whatsoever, in totality or in part, and in any form or by any means whatsoever, strictly forbidden and requires the prior written approval of INNOVA. All data is the exclusive property of 9105-0732 QUEBEC INC. and under exclusive license to INNOVA and cannot be used nor disclosed in any way either without the prior written approval of INNOVA.			
WEIGHT:	TITLE:		
81 Lbs	H Base		
36.82 Kg			
COLOR:	MATERIAL:	SHEET(S):	PROJECT:
Yellow security	Aluminum	2 / 4	SPXTIN2118



QTE	COMPOSANTE	REV	DESCRIPTION	MATERIAU	
22	5	SPXTA2005-04	Ass. Cable de Goupille		
21	2	S2002-003_PLIER	Logo SpanSet Xtirpa	Vinyle clear	
20	5	P2006-004	Chemise de cylindre	PVC Ced. 40	
19	1	P2118-021	Plaque de fond	Delerin noir	
18	1	P2118-022	01 Bloc en Acetal Noir pour niveau à bulle	Acetal Noir	
17	4	310-805	Rivet pop inox 3/16" x 0.565"		
16	4	310-804	Rivet pop inox 3/16" x 0.440"		
15	1	S2001-005	RevB Étiquette NO. produit et NO. Série		
14	1	S2118-007	RevA Autocollant "warning" pour H-frame		
13	1	S2118-006	RevA Étiquette "Attention" pour H-frame		
12	1	S2118-004	RevA Étiquette "Attention" pour base en H		
11	1	S2118-003	RevA Étiquette "Warning" pour H Base		
10	1	S2118-002	RevA Étiquette Instruction H base		
9	1	S2118-001	RevA Étiquette Instruction H base		
8	1	S2001-007	01 Étiquette Temporaire		
7	2	S2001-003_PLAT	Logo SpanSet Xtirpa		
6	3	SPXTA2118-13	Ass. de la poignée + câble		
5	4	SPXTA2118-08	Ass. de la vis stabilisatrice		
4	4	2368T52	Roulette 3"		
3	1	2308A9	Bull's-Eye glass surface mount		
2	4	658-025	Rondelle plate 3/8" (0.391" id x 1" od x .048" th) 18-8 ss		
1	1	310-802	Rivet 1/8" x 1/4" grip		
IDX	QTE	COMPOSANTE	REV	DESCRIPTION	MATERIAU

27	4	HN-2033	Écrou Inox Garniture Nylon 3/8-16
26	2	A2118-09	Ass. soudé tuyau côté
25	2	A2118-03	Ass. soudé du tube côté
24	1	A2118-02	Ass. soudé du tube central
23	1	A2118-01	Ass. total de la base en H

PAT. NO.:		©2007/10/30	©
PRODUITS DE SERVICE PUBLICS INNOVA INC. INNOVA PUBLIC UTILITY PRODUCTS INC.			
<small>© 9105-0732 QUEBEC INC. and under exclusive license to INNOVA PUBLIC UTILITY PRODUCTS INC., (hereafter « INNOVA »). All rights reserved. Protected under the Copyright Act of Canada and international treaties and agreements regarding copyrights. Violators are subject to prosecution and other legal recourses for infringement. Any reproduction, adaptation or other use or disclosure whatsoever, in totality or in part, and in any form or by any means whatsoever, strictly forbidden and requires the prior written approval of INNOVA. All data is the exclusive property of 9105-0732 QUEBEC INC. and under exclusive license to INNOVA and cannot be used nor disclosed in any way either without the prior written approval of INNOVA.</small>			
WEIGHT:	TITLE:		
81 Lbs	H Base		
36.82 Kg			
COLOR:	MATERIAL:	SHEET(S):	PROJECT:
Yellow security	Aluminum	4 / 4	SPXTIN2118