

SPXTIN2120-01: Pole Hoist 45" to 67"



SpanSet Australia Ltd

150 Old Bathurst Road
Emu Plains
NSW 2750
Australia

Telephone

+61 2 4735 3955

Fax

+61 2 4735 3630

E-mail

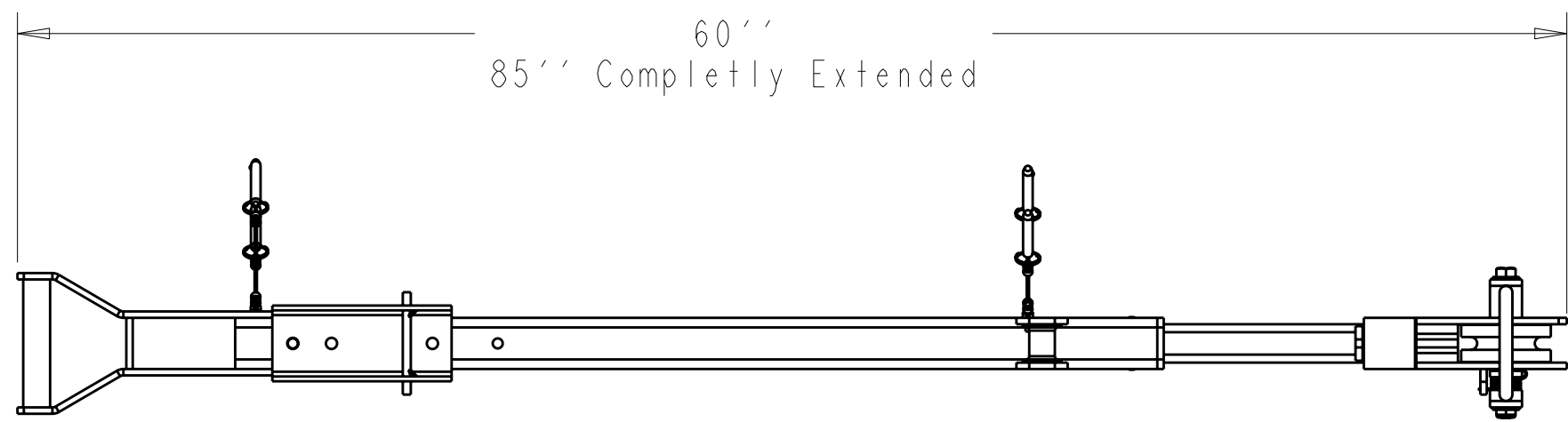
sales@spanset.com.au

Internet

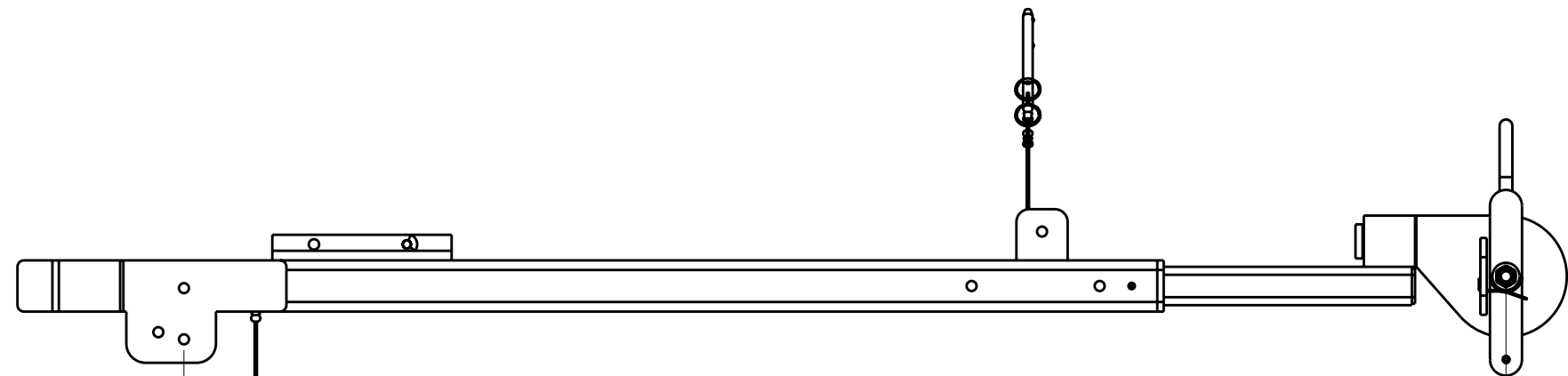
www.spanset.com.au

8 7 6 5 4 3 2 1

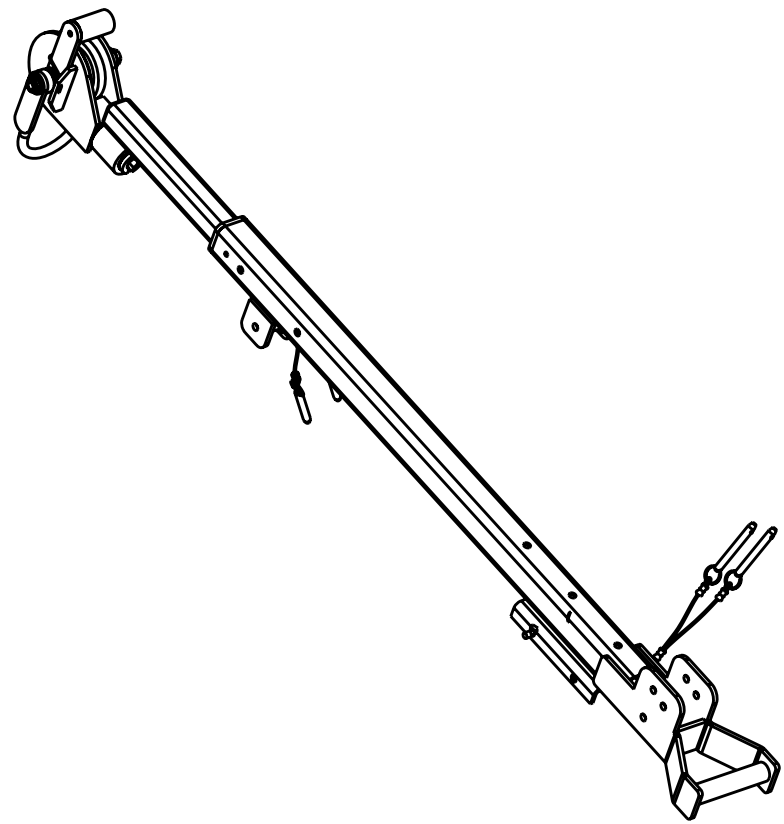
H
G
F
E
D
C
B
A



60''
85'' Completely Extended



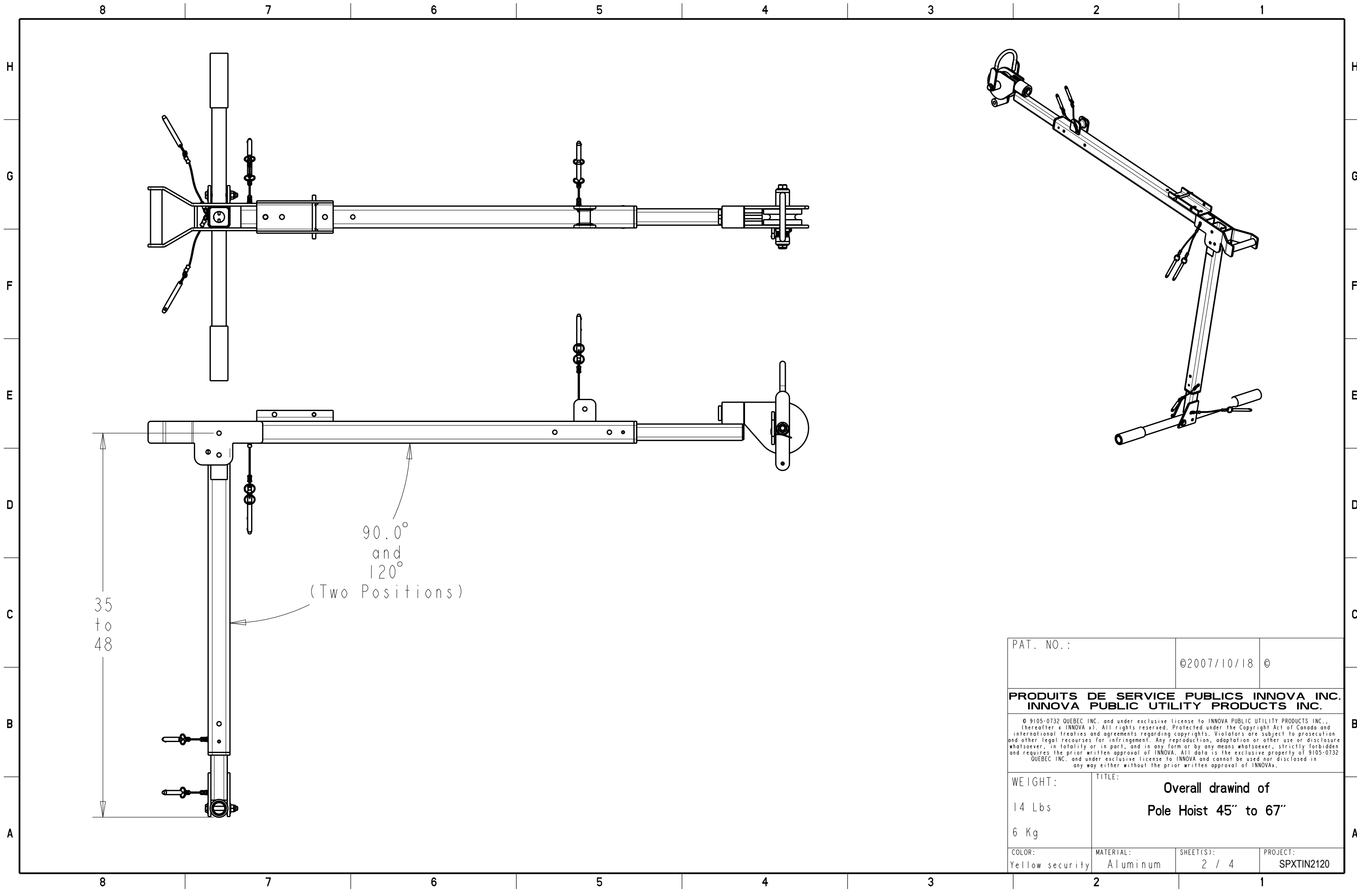
52'' First pin position
Additional Extension Positions
54'', 57'', 62'', 66'', 72'', 76''



PAT. NO.:		©2007/10/18 ©	
PRODUITS DE SERVICE PUBLICS INNOVA INC. INNOVA PUBLIC UTILITY PRODUCTS INC.			
<small>© 9105-0732 QUEBEC INC. and under exclusive license to INNOVA PUBLIC UTILITY PRODUCTS INC., (hereafter « INNOVA »). All rights reserved. Protected under the Copyright Act of Canada and international treaties and agreements regarding copyrights. Violators are subject to prosecution and other legal recourses for infringement. Any reproduction, adaptation or other use or disclosure whatsoever, in totality or in part, and in any form or by any means whatsoever, strictly forbidden and requires the prior written approval of INNOVA. All data is the exclusive property of 9105-0732 QUEBEC INC. and under exclusive license to INNOVA and cannot be used nor disclosed in any way either without the prior written approval of INNOVA.</small>			
WEIGHT:	TITLE:		
14 Lbs	Overall drawind of Pole Hoist 45'' to 67''		
6 Kg			
COLOR:	MATERIAL:	SHEET(S):	PROJECT:
Yellow security	Aluminum	1 / 4	SPXTIN2120

8 7 6 5 4 3 2 1

H
G
F
E
D
C
B
A



PAT. NO.:		©2007/10/18 ©	
PRODUITS DE SERVICE PUBLICS INNOVA INC. INNOVA PUBLIC UTILITY PRODUCTS INC.			
<small>© 9105-0732 QUEBEC INC. and under exclusive license to INNOVA PUBLIC UTILITY PRODUCTS INC., (hereafter « INNOVA »). All rights reserved. Protected under the Copyright Act of Canada and international treaties and agreements regarding copyrights. Violators are subject to prosecution and other legal recourses for infringement. Any reproduction, adaptation or other use or disclosure whatsoever, in totality or in part, and in any form or by any means whatsoever, strictly forbidden and requires the prior written approval of INNOVA. All data is the exclusive property of 9105-0732 QUEBEC INC. and under exclusive license to INNOVA and cannot be used nor disclosed in any way either without the prior written approval of INNOVA.</small>			
WEIGHT:	TITLE:		
14 Lbs	Overall drawind of Pole Hoist 45" to 67"		
6 Kg			
COLOR:	MATERIAL:	SHEET(S):	PROJECT:
Yellow security	Aluminum	2 / 4	SPXTIN2120

SPECIFICATIONS

This product is man rated with a maximum working capacity of 360lbs (164kg). It is only to be used in conjunction with personal fall arrest equipment that limits the maximum arrest force (MAF). to 900 lbf (408 kgf)

Maximum Working Capacity (Mass): 360 lbs (164 kg)
 Maximum Arresting Force Capacity : 1000 lbs (4455 N)
 Maximum Proof Load: 2000 lbs (8910 N)

STANDARDS

Meets the following standards:

NA

MATERIAL AND CONSTRUCTION

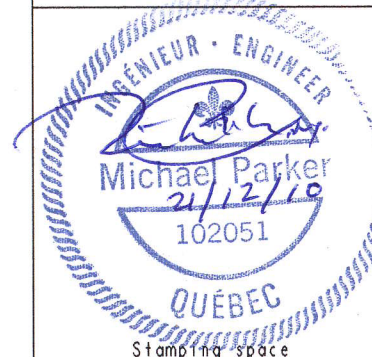
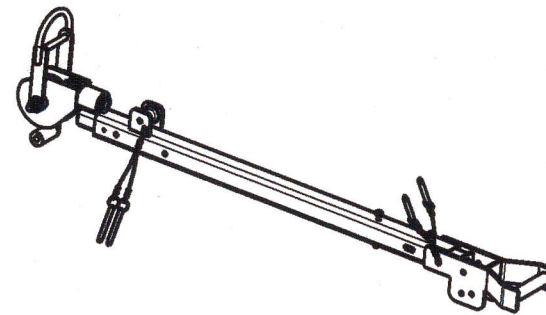
Extension and guide tubes : Aluminum 6061-T6
 Suspension hook : 304 Stainless Steel
 Hardware : Zinc plated steel
 Guide tube sliders, pulley and roll : Black acetal
 Finish : Yellow security powder paint with metal protection base.
 Welding certification: CSA W47,2M

RESTRICTIONS

This product is to be used only with products approved by Innova public utility products INC. such as:
 IN-2127 Adjustable T-Bar Leg

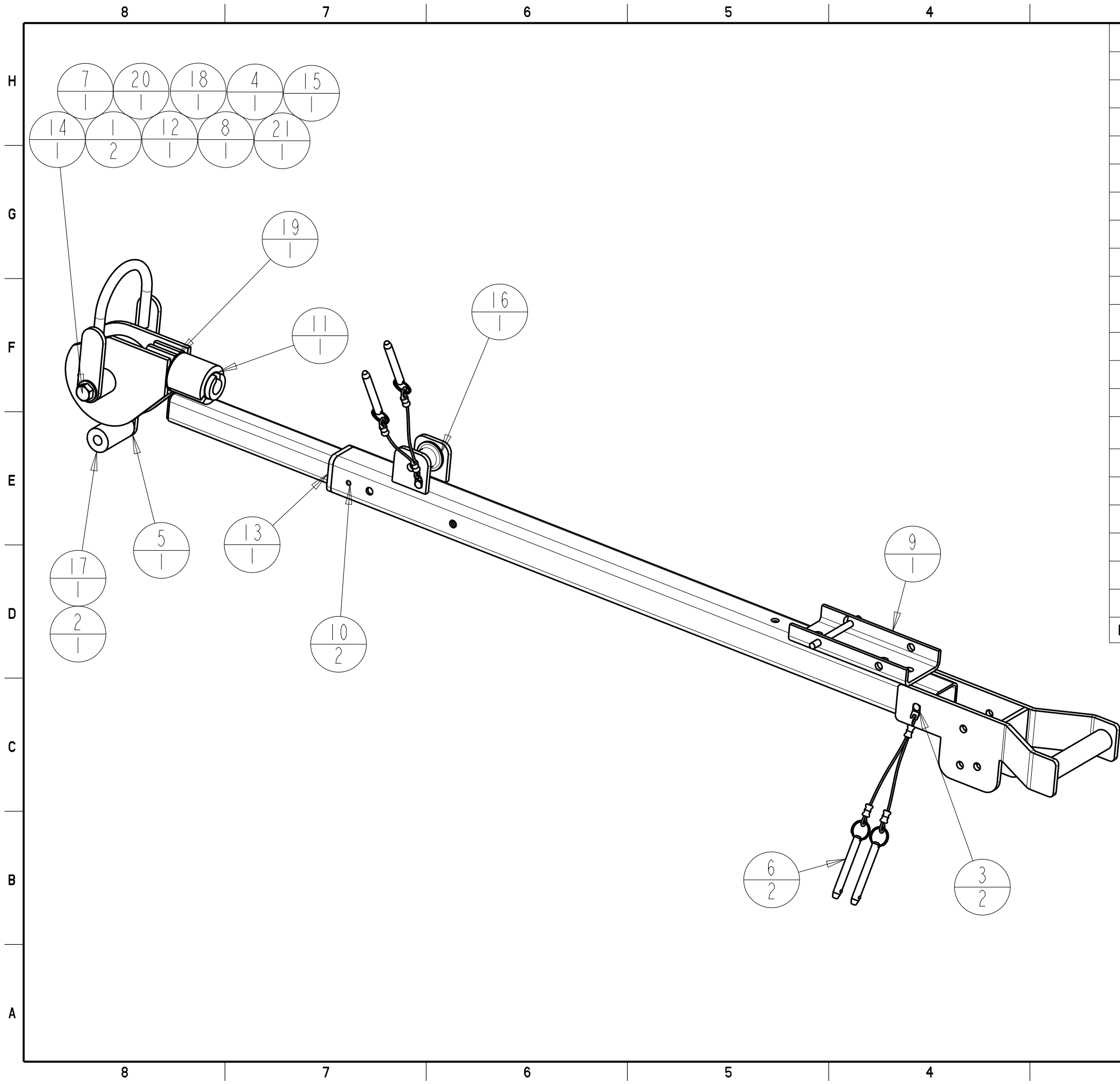
Important:
 This product is man rated and shall be used in conjunction with Fall Arrest Equipment which limits the maximum arrest force (MAF).

Product number: SPXTIN2120



Stamping space

PAT. NO.:		©2007/10/18 ©	
PRODUITS DE SERVICE PUBLICS INNOVA INC. INNOVA PUBLIC UTILITY PRODUCTS INC.			
<small>© 9105-0732 QUEBEC INC. and under exclusive license to INNOVA PUBLIC UTILITY PRODUCTS INC., Chartered in INNOVA INC. All rights reserved. Protected under the Copyright Act of Canada and international treaties and agreements regarding copyright. Violators are subject to prosecution and other legal remedies for infringement. Any reproduction, adaptation or other use of disclosure whatsoever, in totality or in part, and in any form or by any means whatsoever, strictly forbidden and requires the prior written approval of INNOVA. All data is the exclusive property of 9105-0732 QUEBEC INC. and under exclusive license to INNOVA and cannot be used nor disclosed in any way either without the prior written approval of INNOVA.</small>			
WEIGHT:		TITLE:	
14 Lbs		Overall drawind of	
6 Kg		Pole Hoist 45" to 67"	
COLOR:	MATERIAL:	SHEET(S):	PROJECT:
Yellow security	Aluminum	3 / 4	SPXTIN2120



IDX	QTE	COMPONENT	REV	DESCRIPTION	MATERIAL
21	1	P3027-014		Spacing washer	Teflon
20	1	P3027-024		Torsion spring	Spring ss steel
19	1	P3027-027		Spacer	Delrin noir
18	1	P2120-011		Small spacer	Delrin noir
17	1	P3027-021		Retaining roll	Delrin noir
16	1	P2120-013		Retaining pulley for cable	Delrin noir
15	1	P3027-022		Pulley	Delrin noir
14	1	P2120-012		Large spacer	Delrin noir
13	1	P3027-008		Large slide	Delrin noir
12	1	P3027-028		Roll of pulley	Alu. 6061-T6
11	1	R3100-137		Snapping ring 1-3/8"	
10	2	310-800		Pop rivets 1/8" x 0.265"	
9	1	A2002-04N		Mounting bracket black	
8	1	178-048		Hex locknut 1/2"-13 x 0.752"	
7	1	326-014		Hex. bolt 1/2"-13 x 5 1/2"-grade 5	
6	2	A2120-07		Two pins assembly	
5	1	A3027-08		Swivel plate assembly	
4	1	A2120-06		Suspension hook assembly	
3	2	310-805		Pop rivet SS 3/16" x 0.565"	
2	1	HX-20		Hex cap screw 5-16"-UNC	
1	2	W-2041		Flat washer ss 1/2"	

PAT. NO.:		©2007/10/18 ©	
PRODUITS DE SERVICE PUBLICS INNOVA INC. INNOVA PUBLIC UTILITY PRODUCTS INC.			
© 9105-0732 QUEBEC INC. and under exclusive license to INNOVA PUBLIC UTILITY PRODUCTS INC., (hereafter « INNOVA »). All rights reserved. Protected under the Copyright Act of Canada and international treaties and agreements regarding copyrights. Violators are subject to prosecution and other legal recourses for infringement. Any reproduction, adaptation or other use or disclosure whatsoever, in totality or in part, and in any form or by any means whatsoever, strictly forbidden and requires the prior written approval of INNOVA. All data is the exclusive property of 9105-0732 QUEBEC INC. and under exclusive license to INNOVA and cannot be used nor disclosed in any way either without the prior written approval of INNOVA.			
WEIGHT:	TITLE:		
14 Lbs	Overall drawind of Pole Hoist 45" to 67"		
6 Kg			
COLOR:	MATERIAL:	SHEET(S):	PROJECT:
Yellow security	Aluminum	4 / 4	SPXT2120