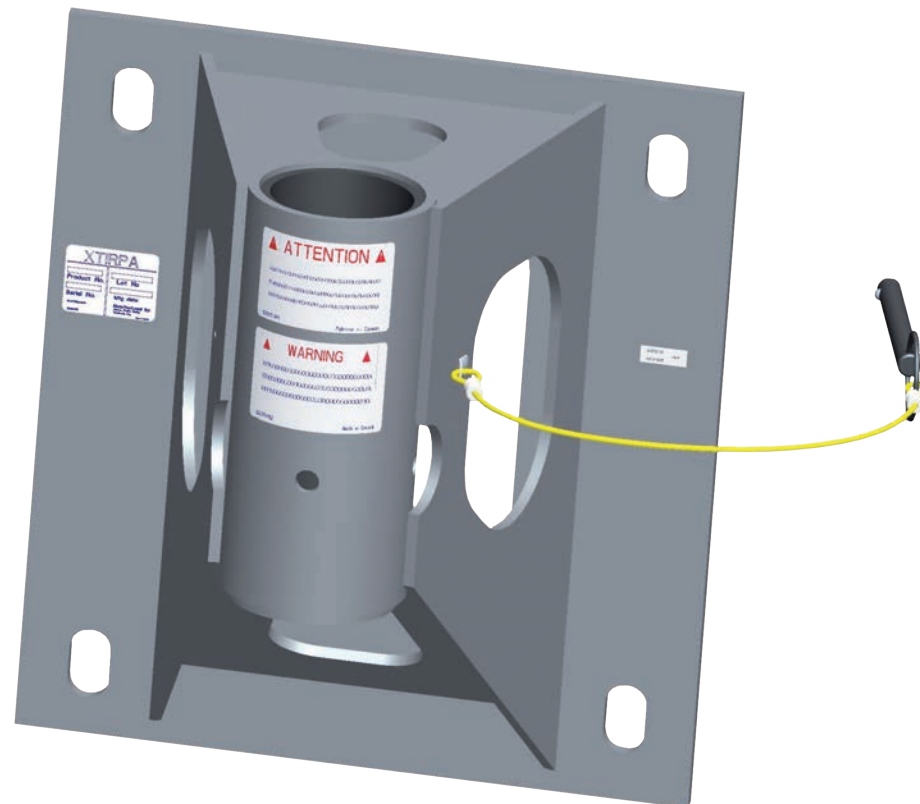


SPXTIN2124-01: Wall Mounted Adapter 8" Clearance



SpanSet Australia Ltd

150 Old Bathurst Road
Emu Plains
NSW 2750
Australia

Telephone

+61 2 4735 3955

Fax

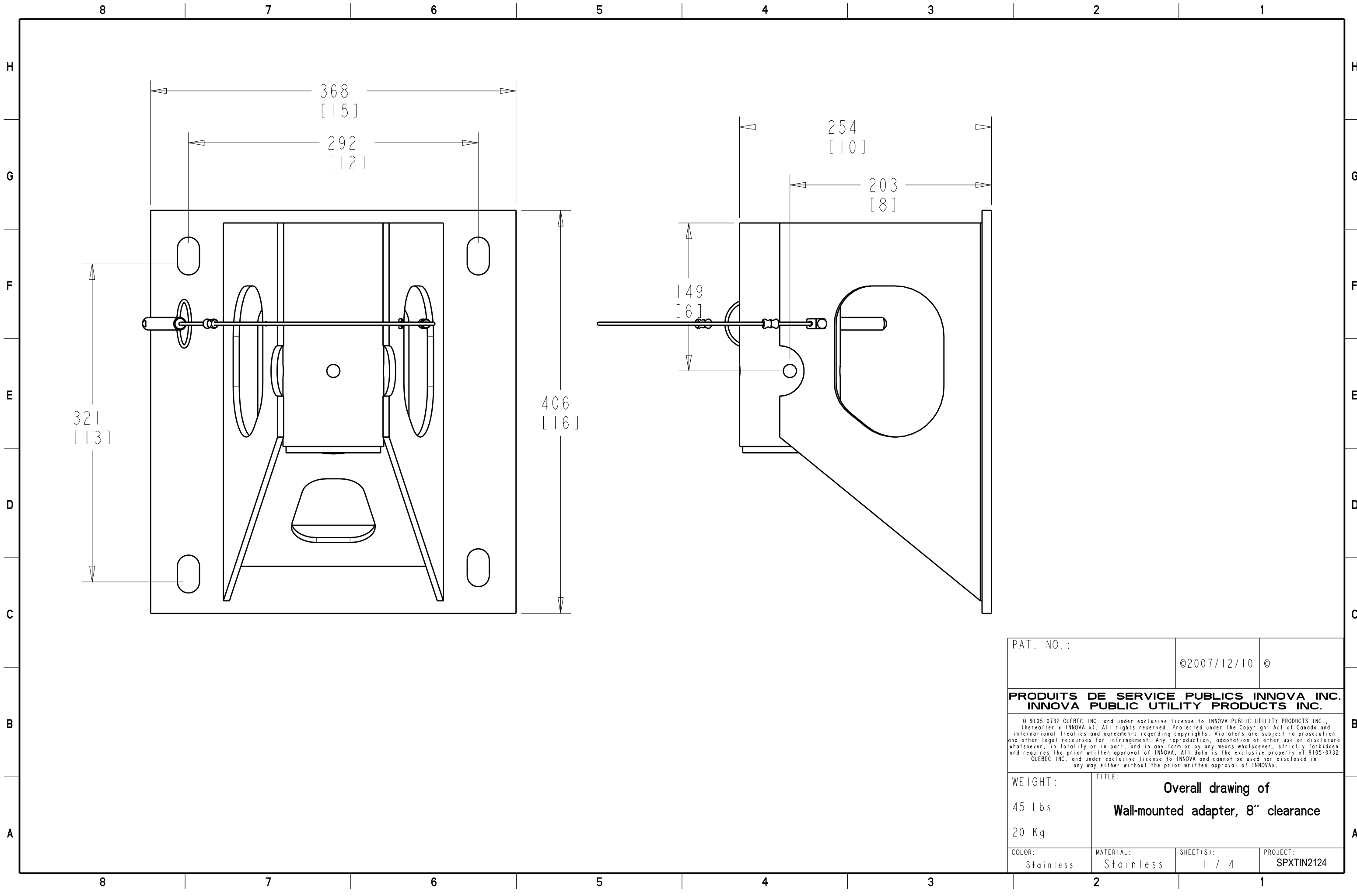
+61 2 4735 3630

E-mail

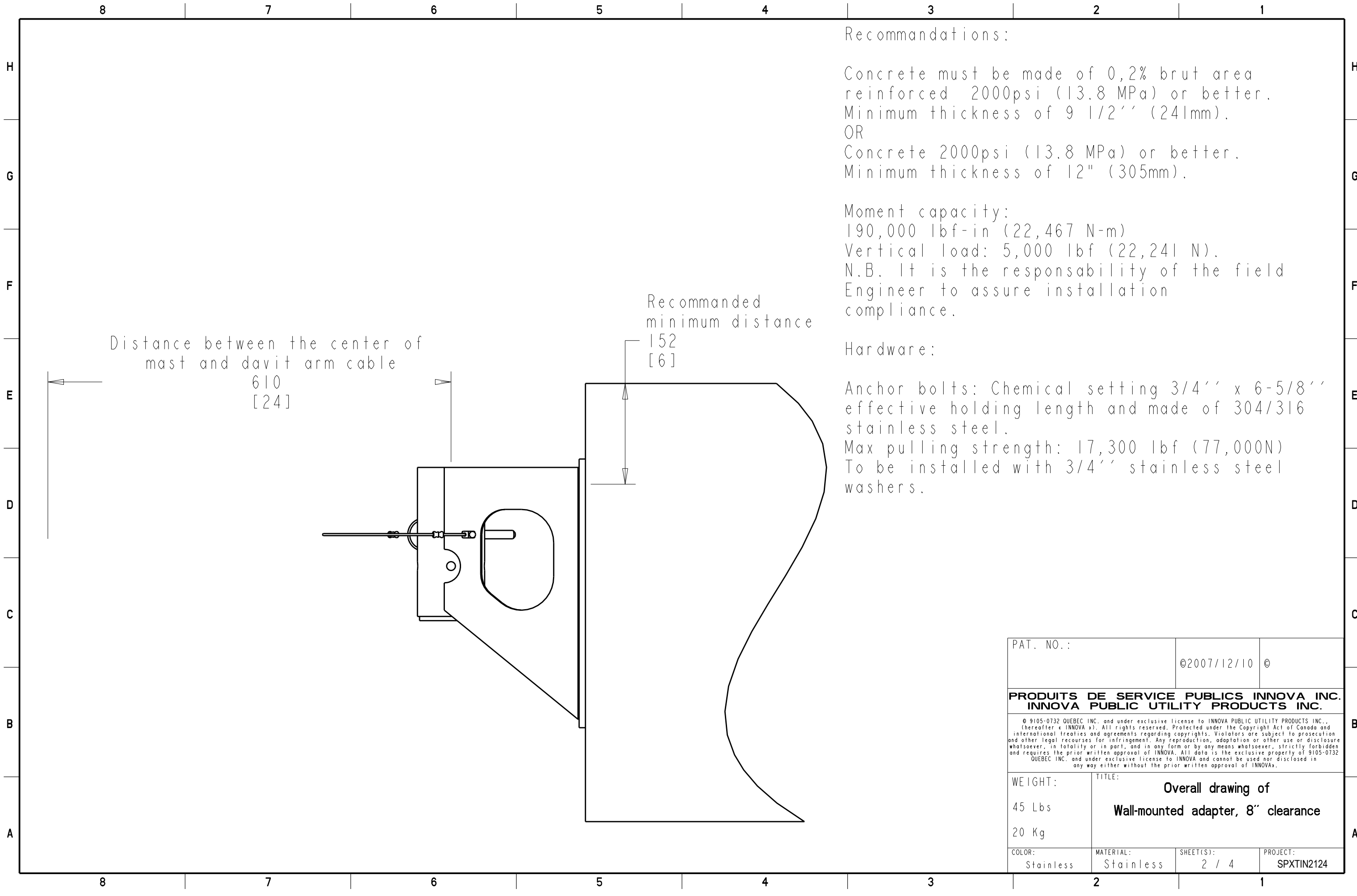
sales@spanset.com.au

Internet

www.spanset.com.au



PAT. NO.:		©2007/12/10 ©	
PRODUITS DE SERVICE PUBLICS INNOVA INC. INNOVA PUBLIC UTILITY PRODUCTS INC.			
<small>© 9105-0732 QUEBEC INC. and under exclusive license to INNOVA PUBLIC UTILITY PRODUCTS INC., (hereafter « INNOVA »). All rights reserved. Protected under the Copyright Act of Canada and international treaties and agreements regarding copyrights. Violators are subject to prosecution and other legal recourses for infringement. Any reproduction, adaptation or other use or disclosure whatsoever, in totality or in part, and in any form or by any means whatsoever, strictly forbidden and requires the prior written approval of INNOVA. All data is the exclusive property of 9105-0732 QUEBEC INC. and under exclusive license to INNOVA and cannot be used nor disclosed in any way either without the prior written approval of INNOVA.</small>			
WEIGHT:	TITLE:		
45 Lbs	Overall drawing of		
20 Kg	Wall-mounted adapter, 8" clearance		
COLOR:	MATERIAL:	SHEET(S):	PROJECT:
Stainless	Stainless	1 / 4	SPXTIN2124



Distance between the center of
mast and davit arm cable
610
[24]

Recommanded
minimum distance
152
[6]

Recommandations:

Concrete must be made of 0,2% brut area
reinforced 2000psi (13.8 MPa) or better.
Minimum thickness of 9 1/2'' (241mm).
OR
Concrete 2000psi (13.8 MPa) or better.
Minimum thickness of 12'' (305mm).

Moment capacity:

190,000 lbf-in (22,467 N-m)
Vertical load: 5,000 lbf (22,241 N).
N.B. It is the responsability of the field
Engineer to assure installation
compliance.

Hardware:

Anchor bolts: Chemical setting 3/4'' x 6-5/8''
effective holding length and made of 304/316
stainless steel.
Max pulling strength: 17,300 lbf (77,000N)
To be installed with 3/4'' stainless steel
washers.

PAT. NO.:		©2007/12/10 ©	
PRODUITS DE SERVICE PUBLICS INNOVA INC. INNOVA PUBLIC UTILITY PRODUCTS INC.			
© 9105-0732 QUEBEC INC. and under exclusive license to INNOVA PUBLIC UTILITY PRODUCTS INC., (hereafter « INNOVA »). All rights reserved. Protected under the Copyright Act of Canada and international treaties and agreements regarding copyrights. Violators are subject to prosecution and other legal recourses for infringement. Any reproduction, adaptation or other use or disclosure whatsoever, in totality or in part, and in any form or by any means whatsoever, strictly forbidden and requires the prior written approval of INNOVA. All data is the exclusive property of 9105-0732 QUEBEC INC. and under exclusive license to INNOVA and cannot be used nor disclosed in any way either without the prior written approval of INNOVA.			
WEIGHT:	TITLE:		
45 Lbs	Overall drawing of Wall-mounted adapter, 8'' clearance		
20 Kg			
COLOR:	MATERIAL:	SHEET(S):	PROJECT:
Stainless	Stainless	2 / 4	SPXTIN2124

Product number: SPXTIN2124

SPECIFICATIONS

This product is man rated with a maximum working capacity of 360lbs (164kg). It is only to be used in conjunction with personal fall arrest equipment that limits the maximum arrest force (MAF).

Maximum Working Moment : 976 N-m (8,640 lbf-in)
 Maximum Moment : 13,558 N-m (120,000 lbf-in)

STANDARDS

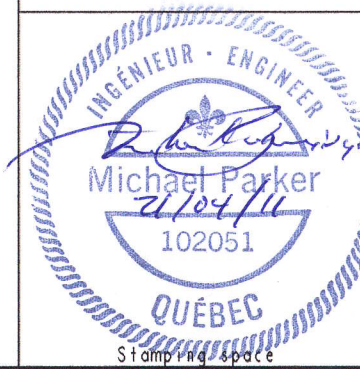
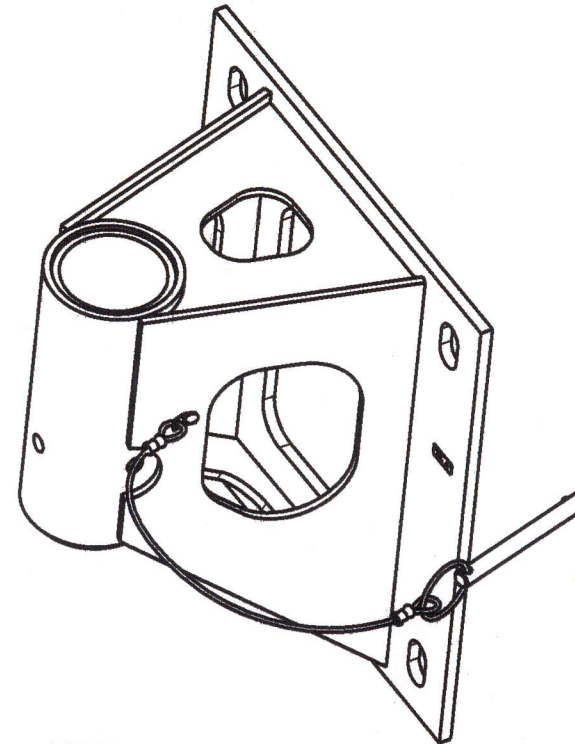
Meets the following standards:
 OSHA Personal fall arrest system - 1910.66 App C
 ANSI Safety requirements for personal fall arrest system, subsystems and components Z359.1 / 2007
 CAN/CSA Fall arresters, vertical lifelines, and rails Z259.2.1-98

MATERIAL AND CONSTRUCTION

Plate, gussets and sleeve : 304 Stainless Steel
 Sleeve bearing : PVC Pipe.
 Pin : Stainless Steel
 Lanyard : Nylon covered Steel Cable
 Welding Certification : CSA W59 & W47.1, AWS D1.6

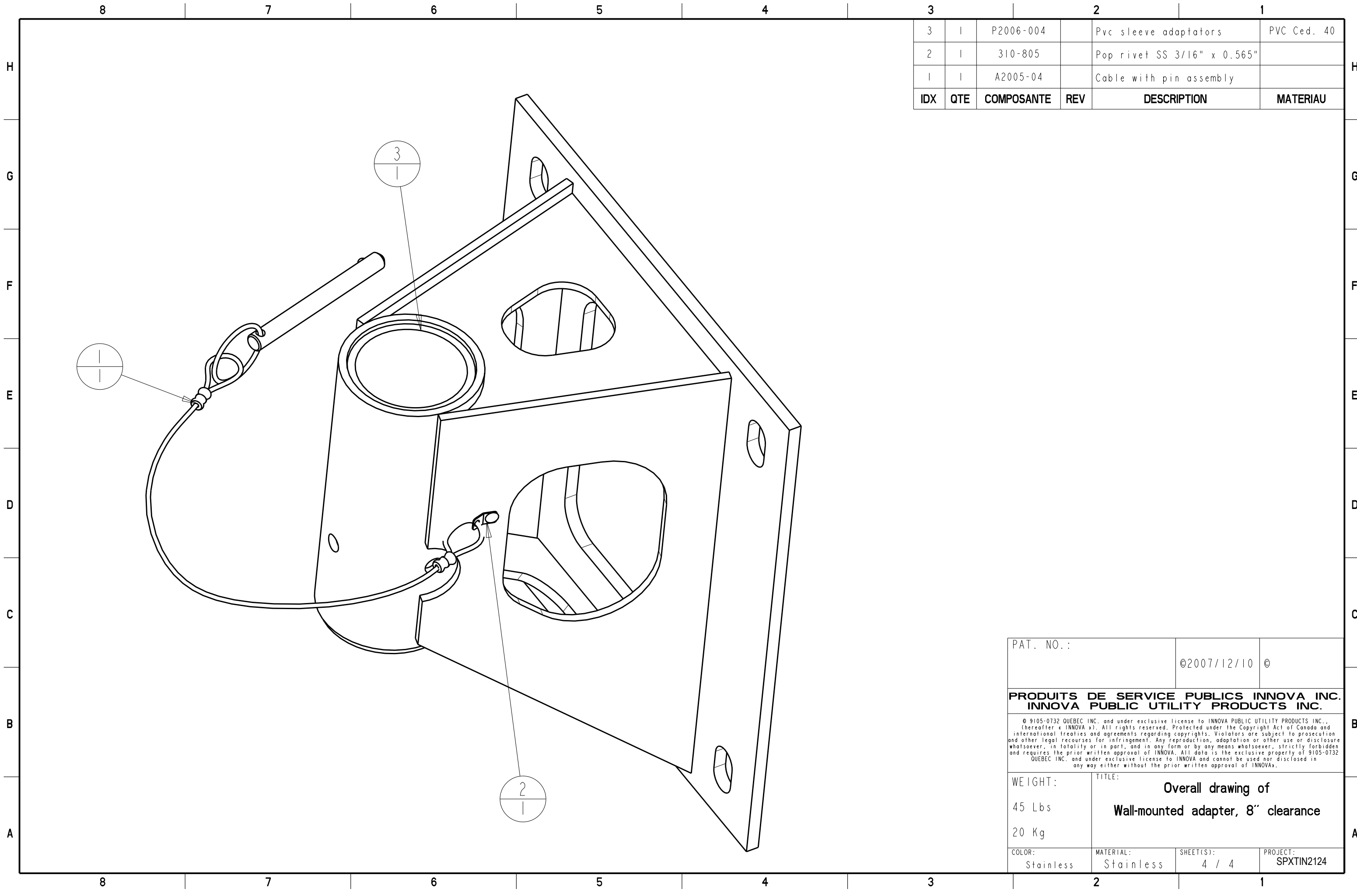
RESTRICTIONS

IMPORTANT :
 The positioning pin must always be in place when manouvering personnel. Adaptors are designed to function only with Innova public utility products INC. equipment. Anchorage hardware must be installed by qualified and experienced personnel. The installer must follow the anchorage hardware manufacturers recommendations at all time. Periodic inspections of hardware must be done. All equipment and hardware must be inspected before re-using by qualified personnel when a fall has occurred.



Stamping space

PAT. NO.:		©2007/12/10 ©	
PRODUITS DE SERVICE PUBLICS INNOVA INC. INNOVA PUBLIC UTILITY PRODUCTS INC.			
<small>© 9105-0732 QUEBEC INC. and under exclusive license to INNOVA PUBLIC UTILITY PRODUCTS INC. (hereafter "INNOVA"). All rights reserved. Protected under the Copyright Act of Canada and international treaties and agreements regarding copyrights. Products are subject to production and other legal notices for infringement. Any reproduction, adaptation or other use or disclosure whatsoever, in totality or in part, and in any form or by any means whatsoever, strictly forbidden and requires the prior written approval of INNOVA. All data is the exclusive property of 9105-0732 QUEBEC INC. and under exclusive license to INNOVA and cannot be used or disclosed in any way either without the prior written approval of INNOVA.</small>			
WEIGHT:	TITLE:		
45 Lbs	Wall-mounted adapter, 8" clearance		
20 Kg			
COLOR:	MATERIAL:	SHEET(S):	PROJECT:
	Stainless Steel	3 / 4	SPXTIN2124



IDX	QTE	COMPOSANTE	REV	DESCRIPTION	MATERIAU
3	1	P2006-004		Pvc sleeve adaptators	PVC Ced. 40
2	1	310-805		Pop rivet SS 3/16" x 0.565"	
1	1	A2005-04		Cable with pin assembly	

PAT. NO.:		©2007/12/10 ©	
PRODUITS DE SERVICE PUBLICS INNOVA INC. INNOVA PUBLIC UTILITY PRODUCTS INC.			
<small>© 9105-0732 QUEBEC INC. and under exclusive license to INNOVA PUBLIC UTILITY PRODUCTS INC., (hereafter « INNOVA »). All rights reserved. Protected under the Copyright Act of Canada and international treaties and agreements regarding copyrights. Violators are subject to prosecution and other legal recourses for infringement. Any reproduction, adaptation or other use or disclosure whatsoever, in totality or in part, and in any form or by any means whatsoever, strictly forbidden and requires the prior written approval of INNOVA. All data is the exclusive property of 9105-0732 QUEBEC INC. and under exclusive license to INNOVA and cannot be used nor disclosed in any way either without the prior written approval of INNOVA.</small>			
WEIGHT:	TITLE:		
45 Lbs	Overall drawing of Wall-mounted adapter, 8" clearance		
20 Kg			
COLOR:	MATERIAL:	SHEET(S):	PROJECT:
Stainless	Stainless	4 / 4	SPXTIN2124