

SPXTIN2126-01: Extensible Hitch Mount



SpanSet Australia Ltd

150 Old Bathurst Road
Emu Plains
NSW 2750
Australia

Telephone

+61 2 4735 3955

Fax

+61 2 4735 3630

E-mail

sales@spanset.com.au

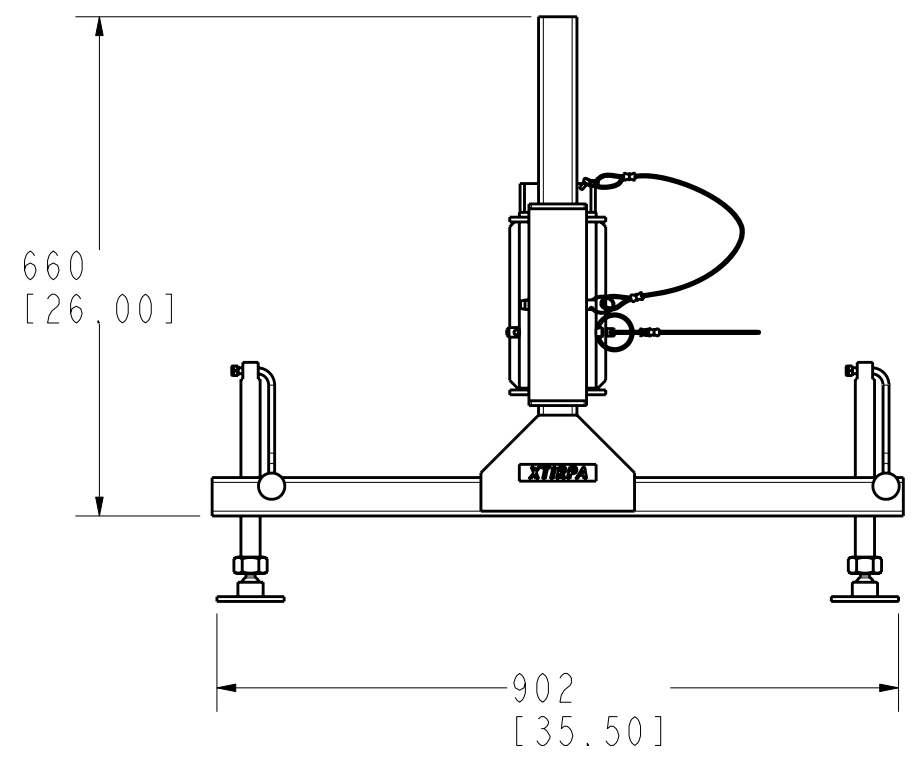
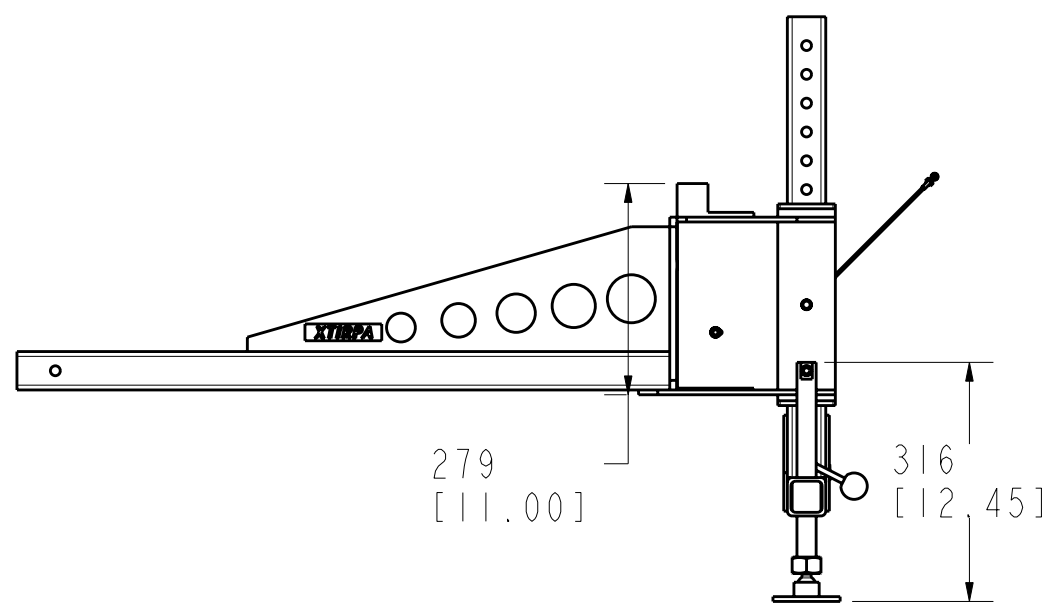
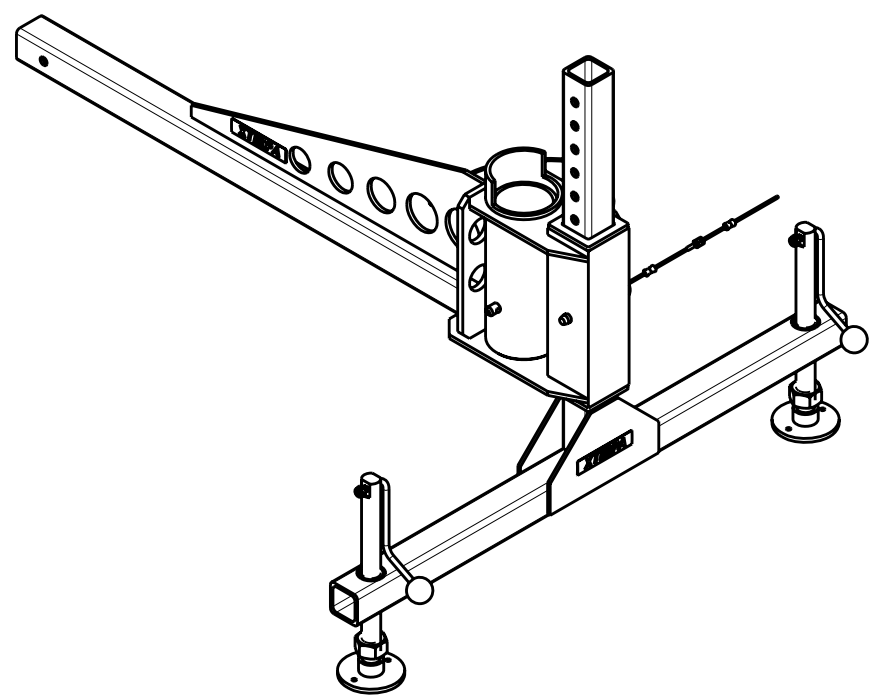
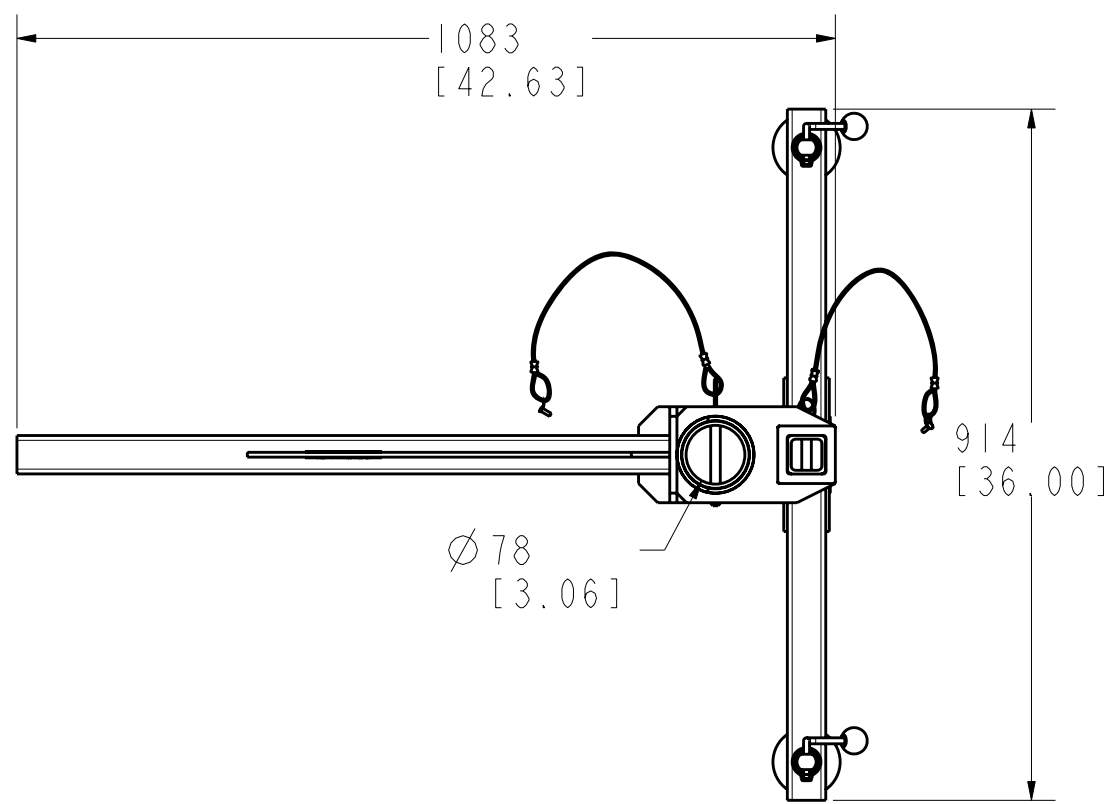
Internet

www.spanset.com.au

8 7 6 5 4 3 2 1

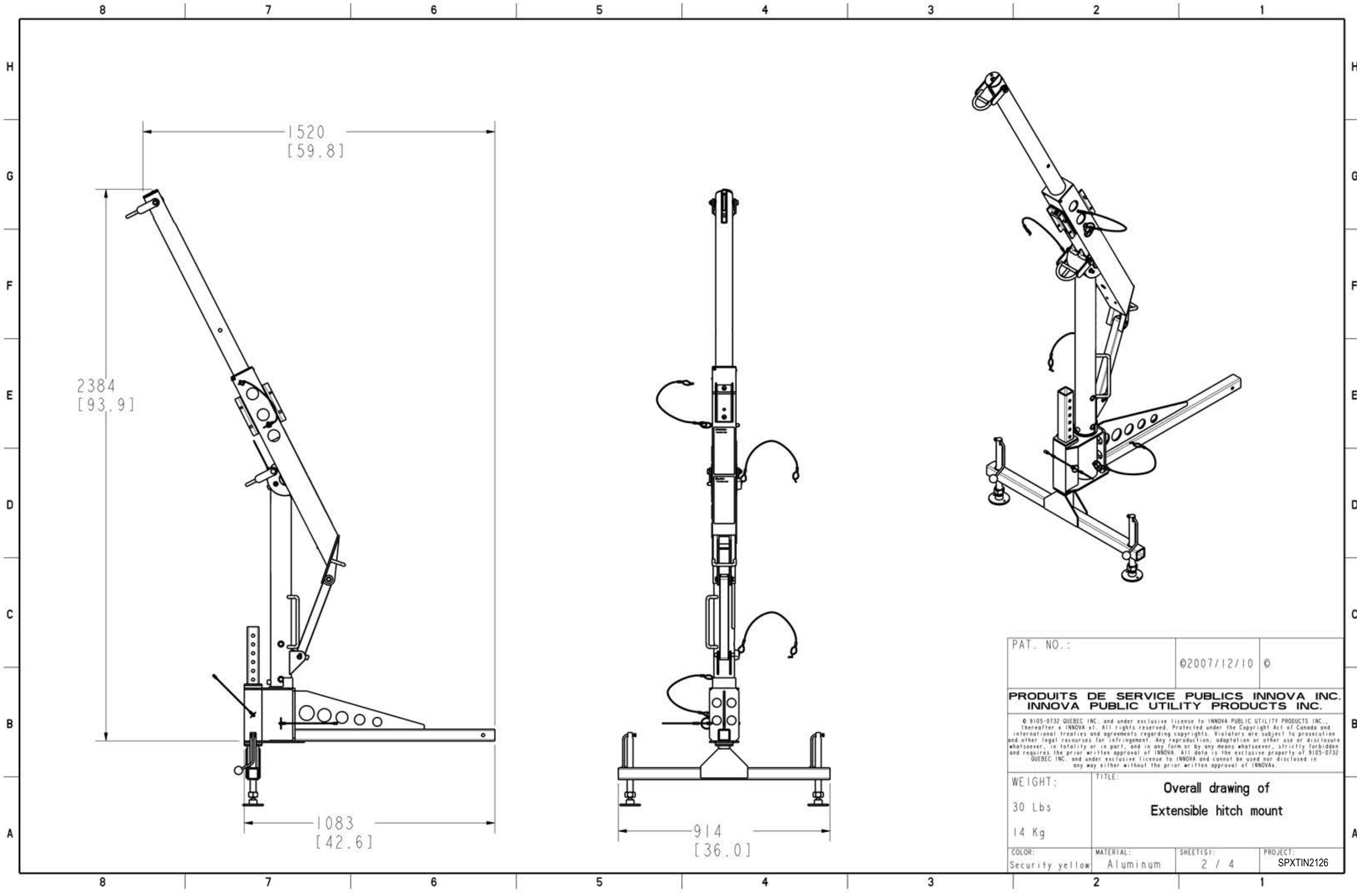
H
G
F
E
D
C
B
A

H
G
F
E
D
C
B
A



PAT. NO.:		©2007/12/10 ©	
PRODUITS DE SERVICE PUBLICS INNOVA INC. INNOVA PUBLIC UTILITY PRODUCTS INC.			
<small>© 9105-0732 QUEBEC INC. and under exclusive license to INNOVA PUBLIC UTILITY PRODUCTS INC., (hereafter « INNOVA »). All rights reserved. Protected under the Copyright Act of Canada and international treaties and agreements regarding copyrights. Violators are subject to prosecution and other legal recourses for infringement. Any reproduction, adaptation or other use or disclosure whatsoever, in totality or in part, and in any form or by any means whatsoever, strictly forbidden and requires the prior written approval of INNOVA. All data is the exclusive property of 9105-0732 QUEBEC INC. and under exclusive license to INNOVA and cannot be used nor disclosed in any way either without the prior written approval of INNOVA.</small>			
WEIGHT:	TITLE:		
30 Lbs	Overall drawing of Extensible hitch mount		
14 Kg			
COLOR:	MATERIAL:	SHEET(S):	PROJECT:
Security yellow	Aluminum	1 / 4	SPXTIN2126

8 7 6 5 4 3 2 1



PAT. NO.:		©2007/12/10 ©	
PRODUITS DE SERVICE PUBLICS INNOVA INC. INNOVA PUBLIC UTILITY PRODUCTS INC.			
<small>© 9105-0732 QUEBEC INC. and under exclusive license to INNOVA PUBLIC UTILITY PRODUCTS INC., (hereafter « INNOVA »). All rights reserved. Protected under the Copyright Act of Canada and international treaties and agreements regarding copyrights. Violators are subject to prosecution and other legal recourses for infringement. Any reproduction, adaptation or other use or disclosure whatsoever, in totality or in part, and in any form or by any means whatsoever, strictly forbidden and requires the prior written approval of INNOVA. All data is the exclusive property of 9105-0732 QUEBEC INC. and under exclusive license to INNOVA and cannot be used nor disclosed in any way either without the prior written approval of INNOVA.</small>			
WEIGHT:	TITLE:		
30 Lbs	Overall drawing of Extensible hitch mount		
14 Kg			
COLOR:	MATERIAL:	SHEET(S):	PROJECT:
Security yellow	Aluminum	2 / 4	SPXTIN2126

8 7 6 5 4 3 2 1
SPECIFICATIONS

H Working load (mass) and moment:
 With mast SPXTIN2003 and
 Davit Arm SPXTIN2002 or SPXTIN2210: 164kg (360lbs), 976 N-m (8640 lb-in)

Max Capacity without deformation:
 With mast SPXTIN2003 and
G Davit Arm SPXTIN2002 or SPXTIN2210: 16014 N (3600 lbf), 9762 N-m (86,400 lbf-in)

Note: Hitch vehicule minimum weight or structure capacity :2727kg (6000lbs)

STANDARDS

Meets the following standards:
F OSHA Personal fall arrest system - 1910.66 App C
 ANSI Safety requirements for personal fall arrest system,
 subsystems and components Z359.1 (R1999)
 CAN/CSA Fall arresters, vertical lifelines, and rails Z259.2.1-98

E MATERIAL AND CONSTRUCTION

Extensions : Aluminum 6061-T6
 Mast Sleeve : Aluminum 6061-T6
 Extension sliders : Black Delrin
 Positioning levels and Hardware: Zinc Plated Steel
 Positioning pads : Aluminum
D Finish : Yellow security powder paint with metal protection base.
 Welding certification: CSA W47,2M

RESTRICTIONS

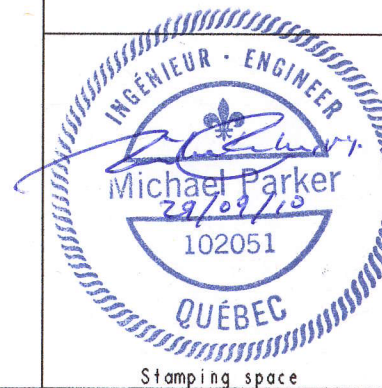
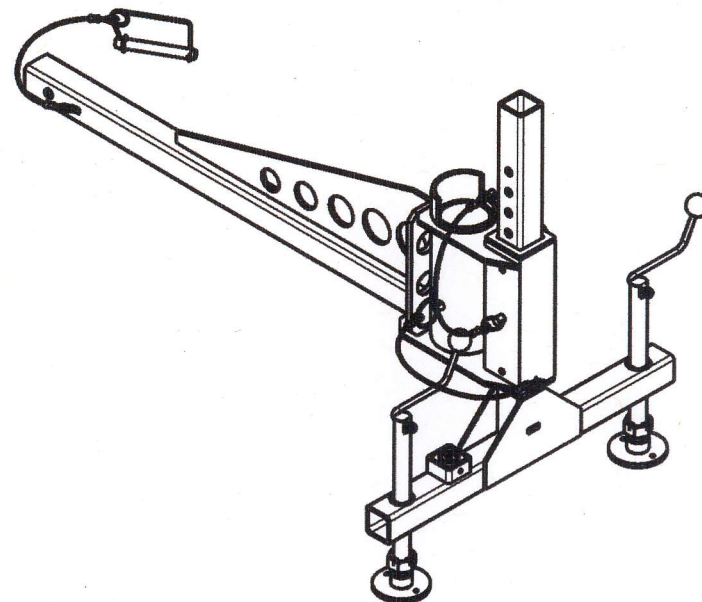
C **IMPORTANT :**
 This product is to be used only with products approved by Innova
 public utility products INC.

This product shall always be used with man rated personal fall arrest
 equipment and shall always be used in a levelled position. **The
B positioning pin must always be in place when manouvering personnel.
 Otherwise, serious injuries may occur.

Periodic inspections of hardware must be done.
 All equipment and hardware must be inspected before re-using by qualified
 personnel when a fall has accured.

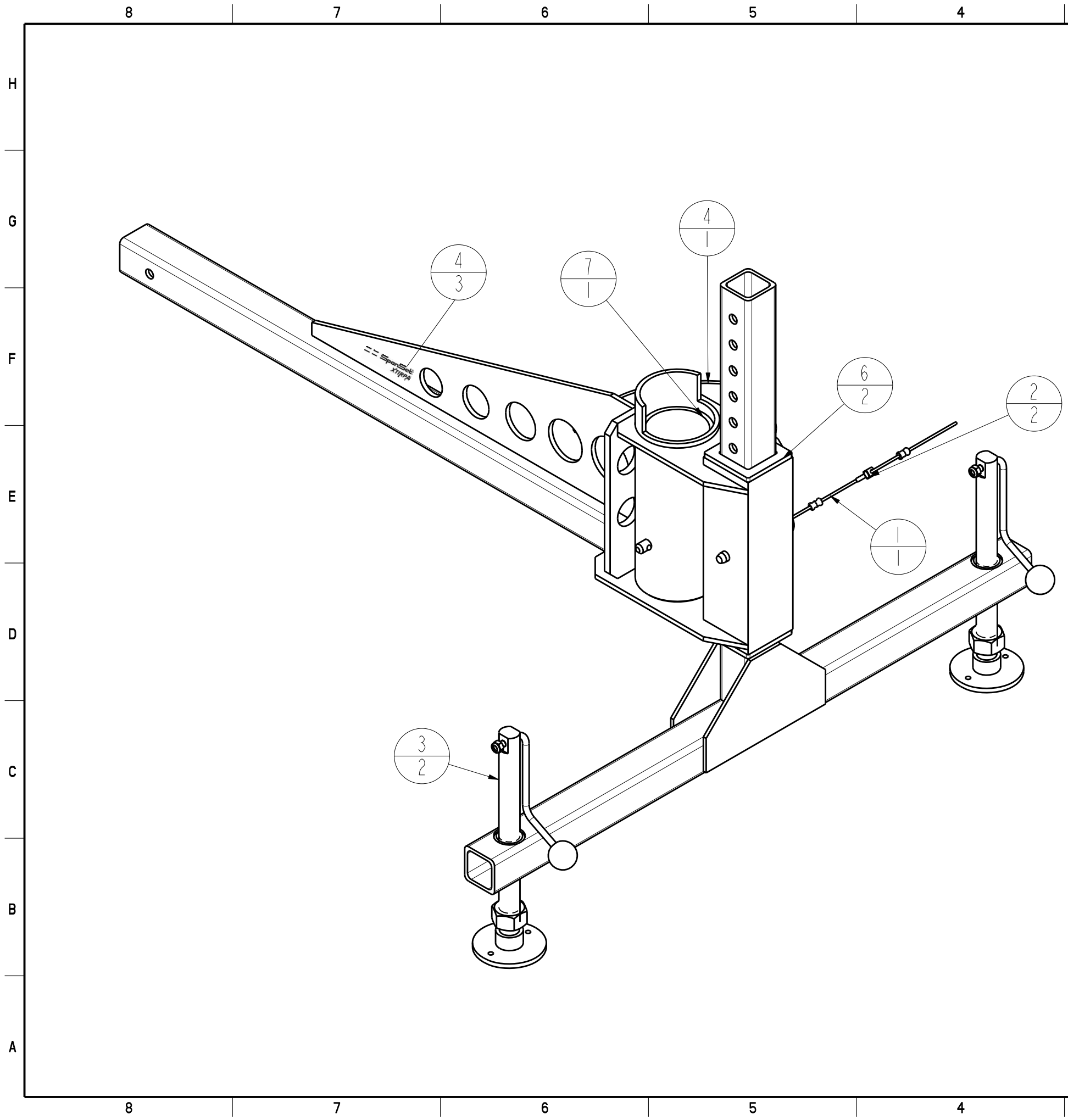
A ** This equipment must always be operated in a levelled position

Product number: SPXTIN2126



PAT. NO.:		©2007/12/10 ©	
PRODUITS DE SERVICE PUBLICS INNOVA INC. INNOVA PUBLIC UTILITY PRODUCTS INC.			
<small>© 9100-9132 QUEBEC INC. and under exclusive license to INNOVA PUBLIC UTILITY PRODUCTS INC. (hereafter "INNOVA"). All rights reserved. Protected under the Copyright Act of Canada and international treaties and agreements regarding copyrights. Violators are subject to prosecution and other legal remedies for infringement. Any reproduction, adaptation or other use or disclosure whatsoever, in totality or in part, and in any form or by any means whatsoever, strictly forbidden and requires the prior written approval of INNOVA. All data is the exclusive property of 9100-9132 QUEBEC INC. and under exclusive license to INNOVA and cannot be used nor disclosed in any way without the prior written approval of INNOVA.</small>			
WEIGHT:	TITLE:		
30 Lbs	Overall drawing of		
14 Kg	Extensible hitch mount		
COLOR:	MATERIAL:	SHEETS:	PROJECT:
Security yellow	Aluminum	3 / 4	SPXTIN2126

Stamping space



IDX	QTE	COMPONENT	REV	DESCRIPTION	MATERIAL
7	1	P2006-004		Pvc sleeve adaptators	PVC Ced. 40
6	2	P2126-013		Plastic spacer	Delrin noir
5	3	S2001-003		Sticker SpanSet Xtirpa	
4	1	SPXTA2005-04		Cable with pin assembly	
3	2	SPXTA2118-08		Assembly of stabilizing screw	
2	2	310-805		Pop rivet SS 3/16" x 0.565"	
1	1	SPXT2126-04		Foot pin assembly	

PAT. NO.:		©2007/12/10 ©	
PRODUITS DE SERVICE PUBLICS INNOVA INC. INNOVA PUBLIC UTILITY PRODUCTS INC.			
<small>© 9105-0732 QUEBEC INC. and under exclusive license to INNOVA PUBLIC UTILITY PRODUCTS INC., (hereafter « INNOVA »). All rights reserved. Protected under the Copyright Act of Canada and international treaties and agreements regarding copyrights. Violators are subject to prosecution and other legal recourses for infringement. Any reproduction, adaptation or other use or disclosure whatsoever, in totality or in part, and in any form or by any means whatsoever, strictly forbidden and requires the prior written approval of INNOVA. All data is the exclusive property of 9105-0732 QUEBEC INC. and under exclusive license to INNOVA and cannot be used nor disclosed in any way either without the prior written approval of INNOVA.</small>			
WEIGHT:	TITLE:		
30 Lbs	Overall drawing of Extensible hitch mount		
14 Kg			
COLOR:	MATERIAL:	SHEET(S):	PROJECT:
Security yellow	Aluminum	4 / 4	SPXTIN2126