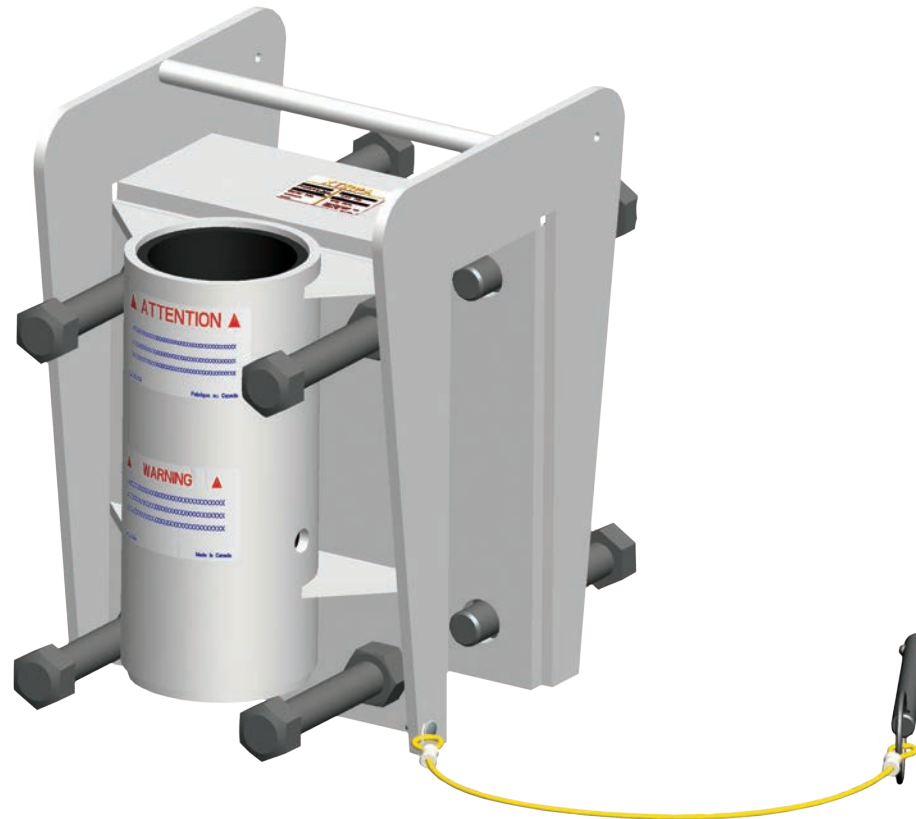


## SPXTIN2129-01: Barrel Adapter 0" to 3" – Zinc Plated Steel



### SpanSet Australia Ltd

150 Old Bathurst Road  
Emu Plains  
NSW 2750  
Australia

### Telephone

+61 2 4735 3955

### Fax

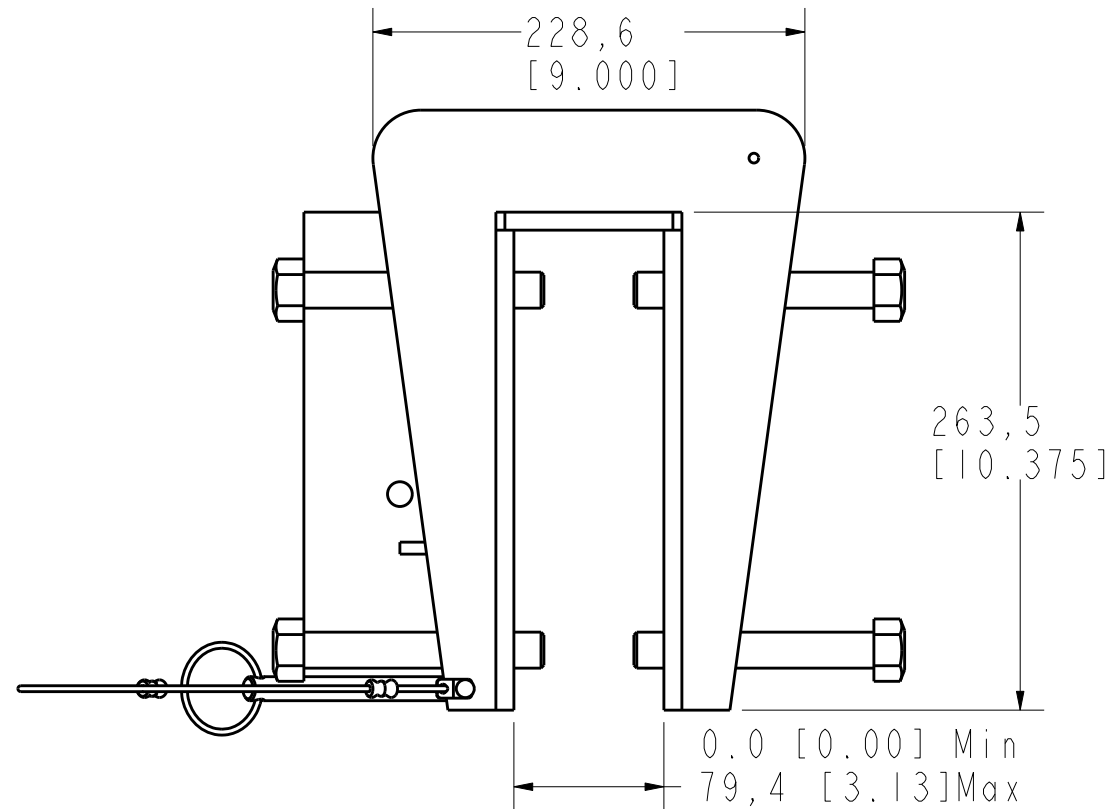
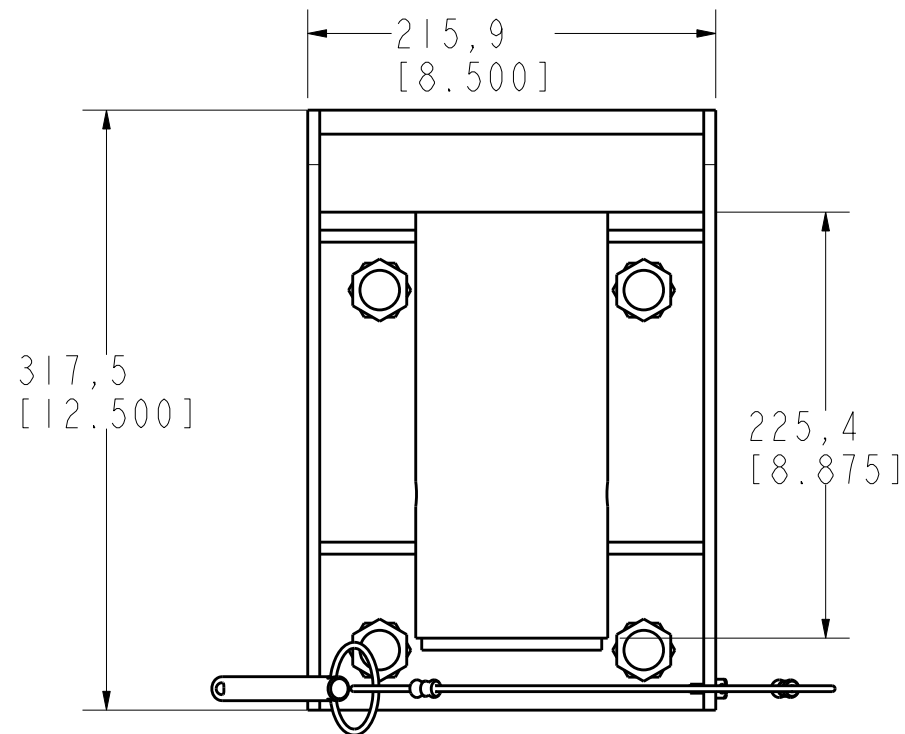
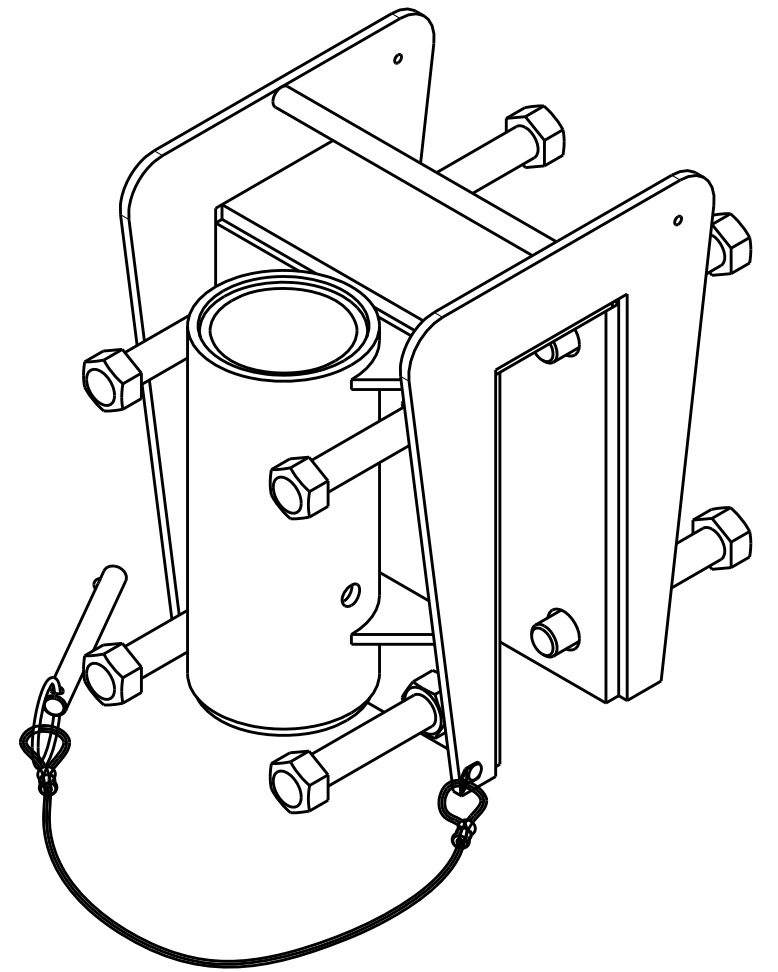
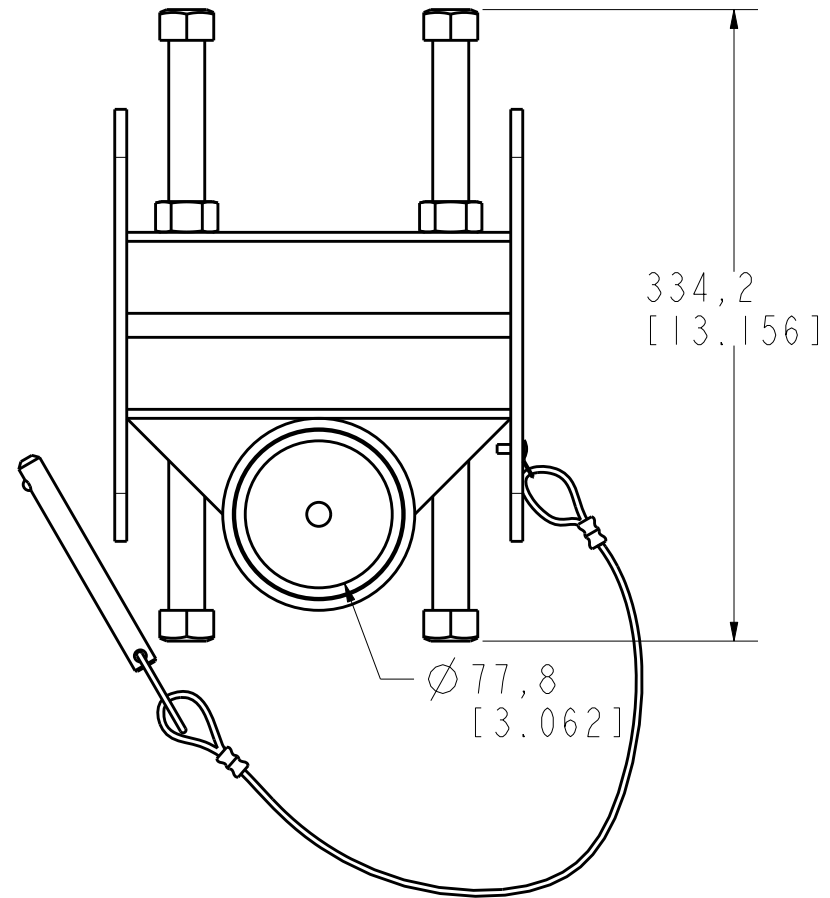
+61 2 4735 3630

### E-mail

[sales@spanset.com.au](mailto:sales@spanset.com.au)

### Internet

[www.spanset.com.au](http://www.spanset.com.au)

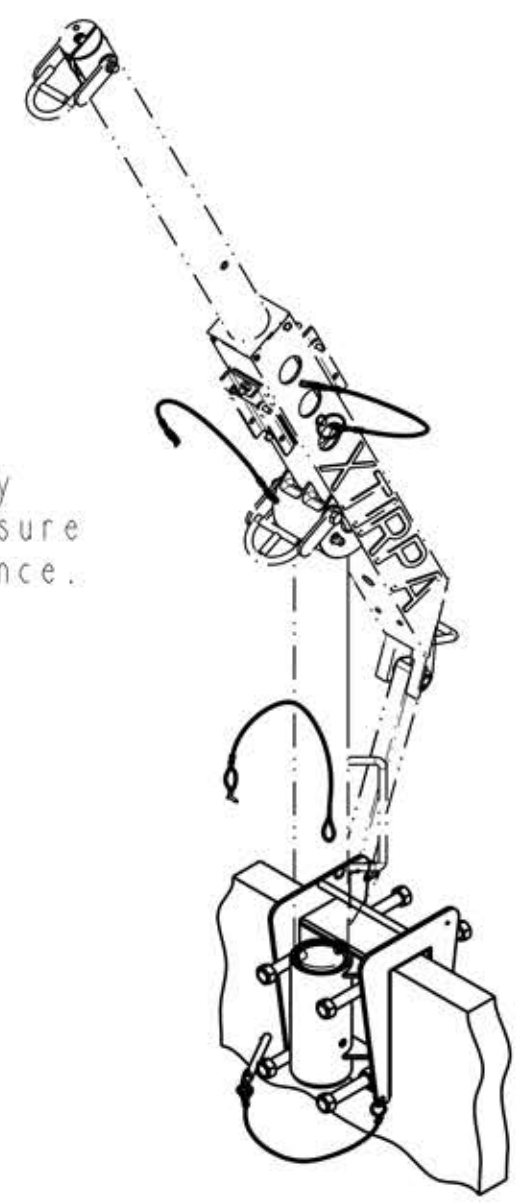
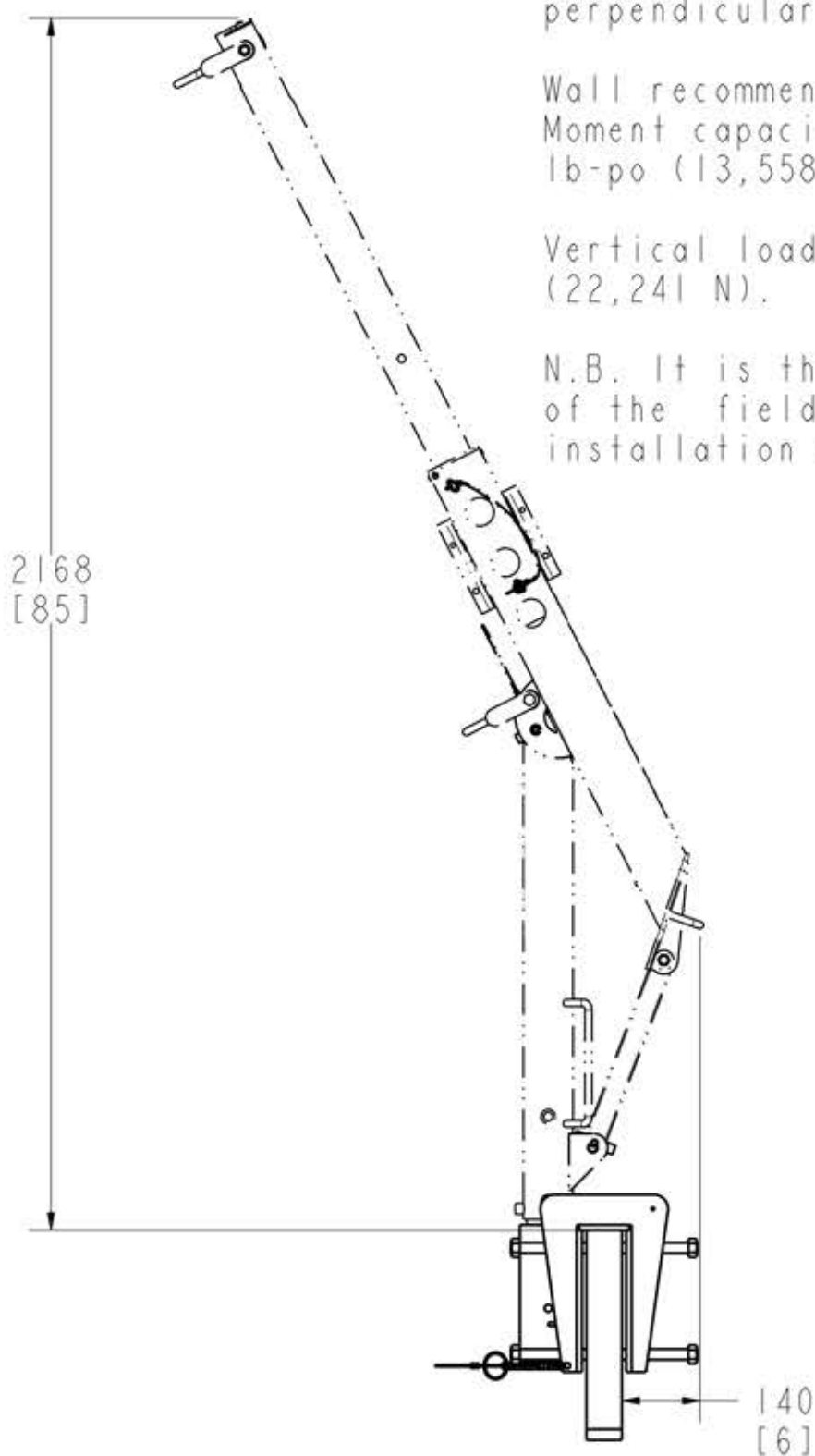
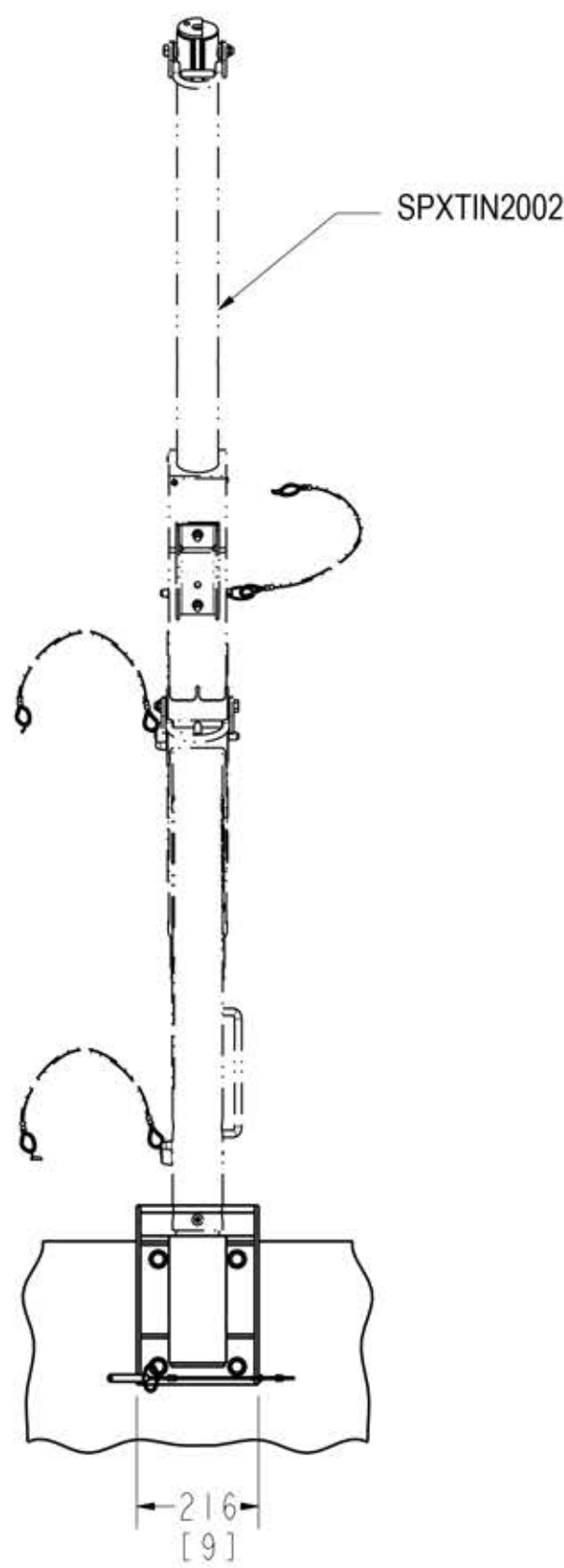


PAT. NO.:		©2008/01/17 ©	
<b>PRODUITS DE SERVICE PUBLICS INNOVA INC.</b> <b>INNOVA PUBLIC UTILITY PRODUCTS INC.</b>			
<small>© 9105-0732 QUEBEC INC. and under exclusive license to INNOVA PUBLIC UTILITY PRODUCTS INC., (hereafter « INNOVA »). All rights reserved. Protected under the Copyright Act of Canada and international treaties and agreements regarding copyrights. Violators are subject to prosecution and other legal recourses for infringement. Any reproduction, adaptation or other use or disclosure whatsoever, in totality or in part, and in any form or by any means whatsoever, strictly forbidden and requires the prior written approval of INNOVA. All data is the exclusive property of 9105-0732 QUEBEC INC. and under exclusive license to INNOVA and cannot be used nor disclosed in any way either without the prior written approval of INNOVA.</small>			
WEIGHT:	TITLE:		
30 Lbs	Overall drawing of barrel adapter 0" to 3" (zinc plated steel)		
14 Kg			
COLOR:	MATERIAL:	SHEET(S):	PROJECT:
Zinc	Steel	1 / 4	SPXTIN2129

8 7 6 5 4 3 2 1

H  
G  
F  
E  
D  
C  
B  
A

H  
G  
F  
E  
D  
C  
B  
A



**IMPORTANT:**

Product shall only be used perpendicular to wall.

Wall recommendations:  
Moment capacity: 120,000 lb-po (13,558 N-m)

Vertical load: 5,000 lbf (22,241 N).

N.B. It is the responsibility of the field Engineer to assure installation and use compliance.

PAT. NO.:		©2008/01/17 ©	
<b>PRODUITS DE SERVICE PUBLICS INNOVA INC.</b> <b>INNOVA PUBLIC UTILITY PRODUCTS INC.</b>			
<small>© 9105-0732 QUEBEC INC. and under exclusive license to INNOVA PUBLIC UTILITY PRODUCTS INC., (hereafter « INNOVA »). All rights reserved. Protected under the Copyright Act of Canada and international treaties and agreements regarding copyrights. Violators are subject to prosecution and other legal recourses for infringement. Any reproduction, adaptation or other use or disclosure whatsoever, in totality or in part, and in any form or by any means whatsoever, strictly forbidden and requires the prior written approval of INNOVA. All data is the exclusive property of 9105-0732 QUEBEC INC. and under exclusive license to INNOVA and cannot be used nor disclosed in any way either without the prior written approval of INNOVA.</small>			
WEIGHT:	TITLE:		
30 Lbs	Overall drawing of barrel adapter 0" to 3" (zinc plated steel)		
14 Kg			
COLOR:	MATERIAL:	SHEET(S):	PROJECT:
Zinc	Steel	2 / 4	SPXTIN2129

8 7 6 5 4 3 2 1

**SPECIFICATIONS**

H This product is man rated with a maximum working capacity of 360lbs (164kg). It is only to be used in conjunction with personal fall arrest equipment that limits the maximum arrerst force (MAF).

Maximum Working Moment : 976 N-m (8,640 lb-in)  
 Maximum Moment : 9,762 N-m (86,400 lb-in)

G The wall shall be able to support a vertical load of 5000 lbf (22, 241 N) and a moment of 120,000 lbf-in (13,558 Nm).

**STANDARDS**

F Meets the following standards:  
 OSHA Personal fall arrest system - 1910.66 App C  
 ANSI Safety requirements for personal fall arrest system, subsystems and components Z359.1 / 2007  
 CAN/CSA Fall arresters, vertical lifelines, and rails Z259.2.1-98

**MATERIAL AND CONSTRUCTION**

E Plate and gussets : Steel 44W (300W) CSA G40.21  
 Sleeve : Steel 1026 DOM  
 Finish : Zinc plated, ASTM B633-85, Type III, SC3  
 Sleeve bearing : PVC.  
 Pin : Stainless Steel  
 Lanyard : Nylon covered Steel Cable  
 Hardware : Gr. 5 Zinc plated steel  
 Welding Certification : As per CSA 47,1

**RESTRICTIONS**

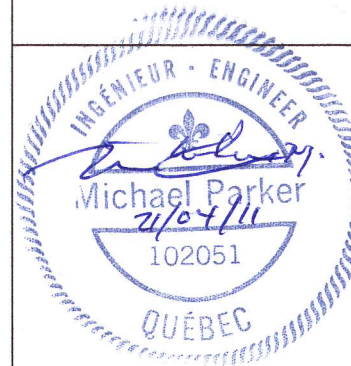
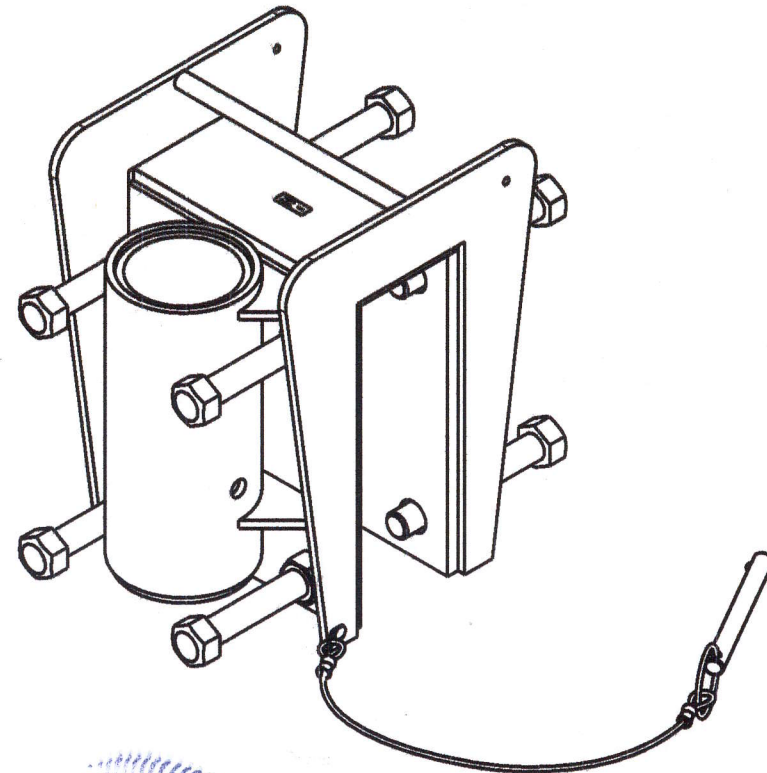
**IMPORTANT :**

B The positioning pin must always be in place when manouvering personnel. Adaptors are designed to function only with Innova public utility products INC. equipment.

Equipment must be inspected before re-using by qualified personnel when a fall has occured.

A This product is not intended to be used sideways. It is not considered as a permanent structure and shall be used with care.

Product number : SPXTIN2129



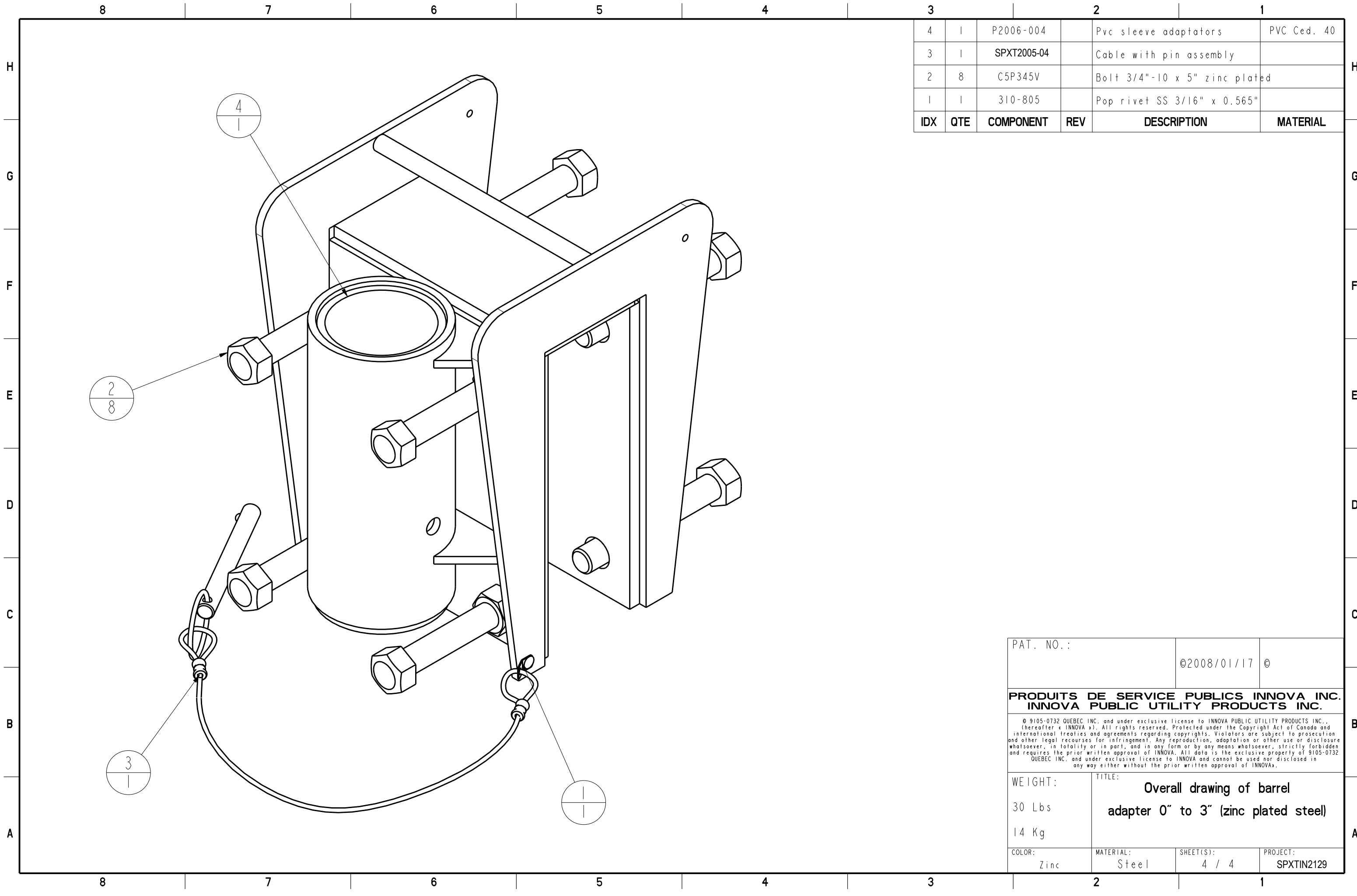
Stamping space

PAT. NO.:	©2008/01/17 ©
-----------	---------------

**PRODUITS DE SERVICE PUBLICS INNOVA INC.**  
**INNOVA PUBLIC UTILITY PRODUCTS INC.**

© 9105-0732 QUEBEC INC. and under exclusive license to INNOVA PUBLIC UTILITY PRODUCTS INC. (hereafter "INNOVA"). All rights reserved. Protected under the Copyright Act of Canada and international treaties and agreements regarding copyrights. Violators are subject to prosecution and other legal recourse for infringement. Any reproduction, adaptation or other use or disclosure whatsoever, in whole or in part, and in any form or by any means whatsoever, strictly forbidden and requires the prior written approval of INNOVA. All data is the exclusive property of 9105-0732 QUEBEC INC. and under exclusive license to INNOVA and cannot be used nor disclosed in any way either without the prior written approval of INNOVA.

WEIGHT:	TITLE:
30 Lbs	barrel adapter
14 Kg	0" to 3" (zinc plated steel)
COLOR:	MATERIAL:
	Steel
SHEET(S):	PROJECT:
3 / 4	SPXTIN2129



IDX	QTE	COMPONENT	REV	DESCRIPTION	MATERIAL
4	1	P2006-004		Pvc sleeve adaptators	PVC Ced. 40
3	1	SPXT2005-04		Cable with pin assembly	
2	8	C5P345V		Bolt 3/4"-10 x 5" zinc plated	
1	1	310-805		Pop rivet SS 3/16" x 0.565"	

PAT. NO.:		©2008/01/17 ©	
<b>PRODUITS DE SERVICE PUBLICS INNOVA INC. INNOVA PUBLIC UTILITY PRODUCTS INC.</b>			
<small>© 9105-0732 QUEBEC INC. and under exclusive license to INNOVA PUBLIC UTILITY PRODUCTS INC., (hereafter « INNOVA »). All rights reserved. Protected under the Copyright Act of Canada and international treaties and agreements regarding copyrights. Violators are subject to prosecution and other legal recourses for infringement. Any reproduction, adaptation or other use or disclosure whatsoever, in totality or in part, and in any form or by any means whatsoever, strictly forbidden and requires the prior written approval of INNOVA. All data is the exclusive property of 9105-0732 QUEBEC INC. and under exclusive license to INNOVA and cannot be used nor disclosed in any way either without the prior written approval of INNOVA.</small>			
WEIGHT:	TITLE:		
30 Lbs	<b>Overall drawing of barrel adapter 0" to 3" (zinc plated steel)</b>		
14 Kg			
COLOR:	MATERIAL:	SHEET(S):	PROJECT:
Zinc	Steel	4 / 4	SPXTIN2129