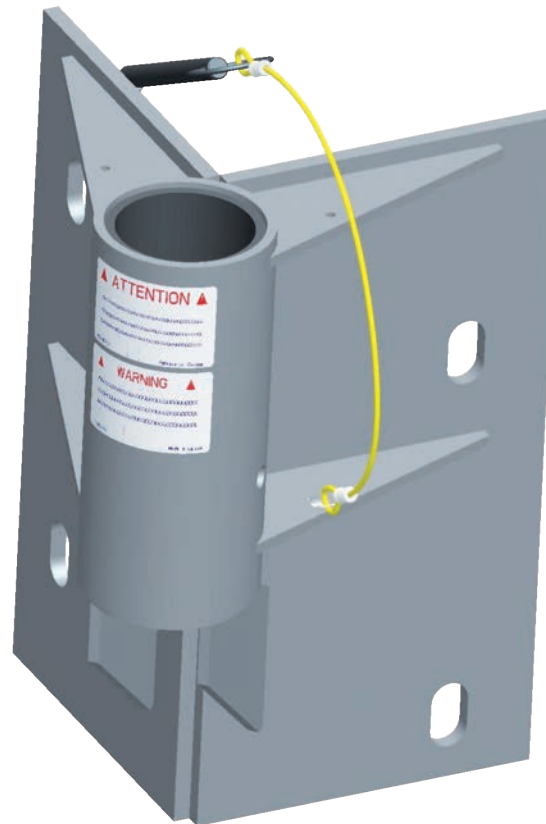


SPXTIN2131-01: 90° Corner Adapter



SpanSet Australia Ltd

150 Old Bathurst Road
Emu Plains
NSW 2750
Australia

Telephone

+61 2 4735 3955

Fax

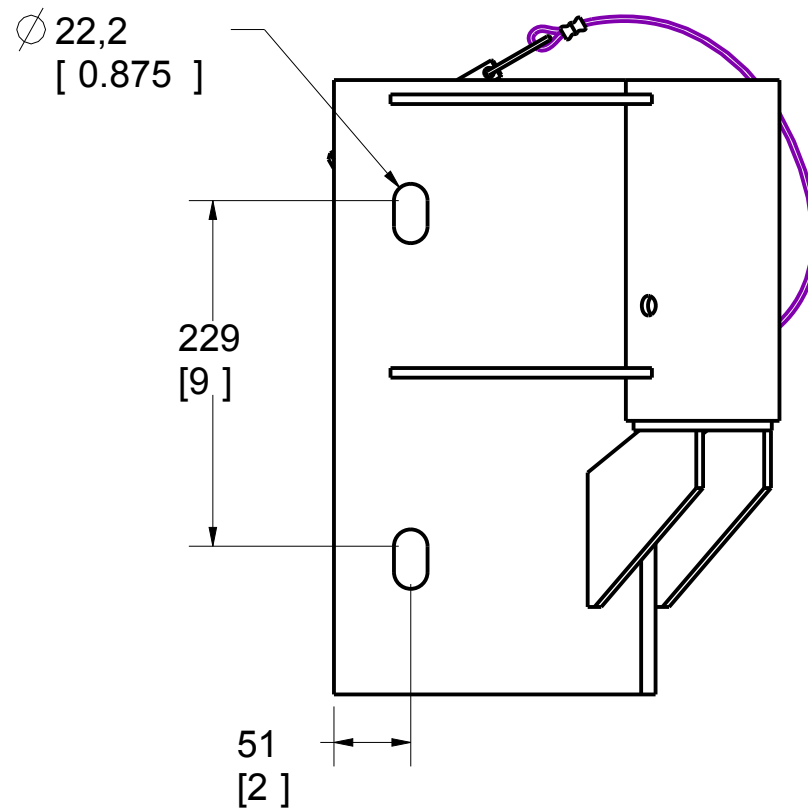
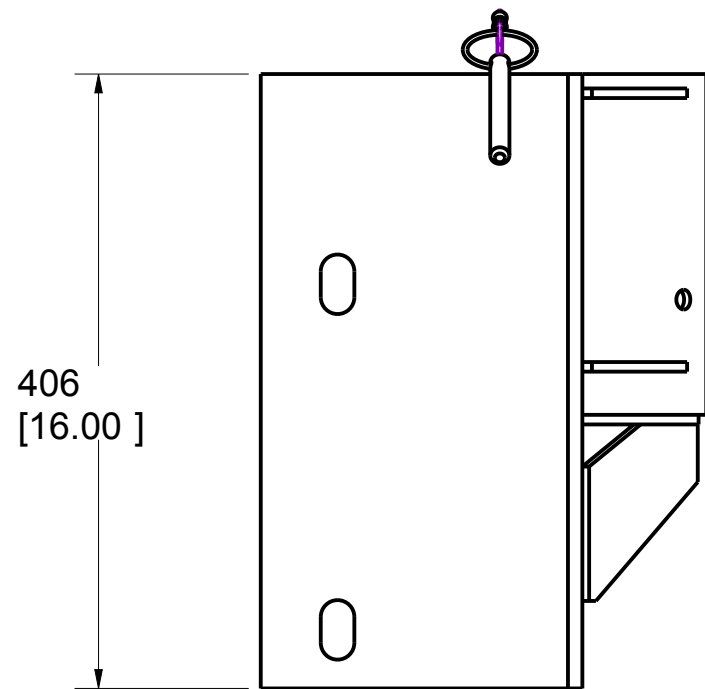
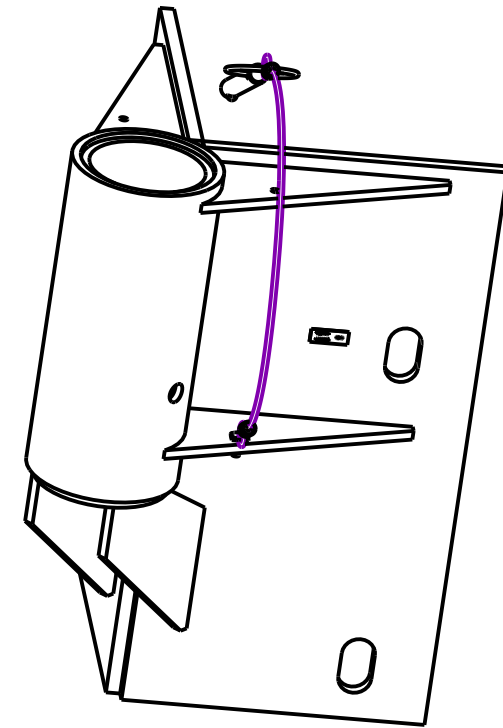
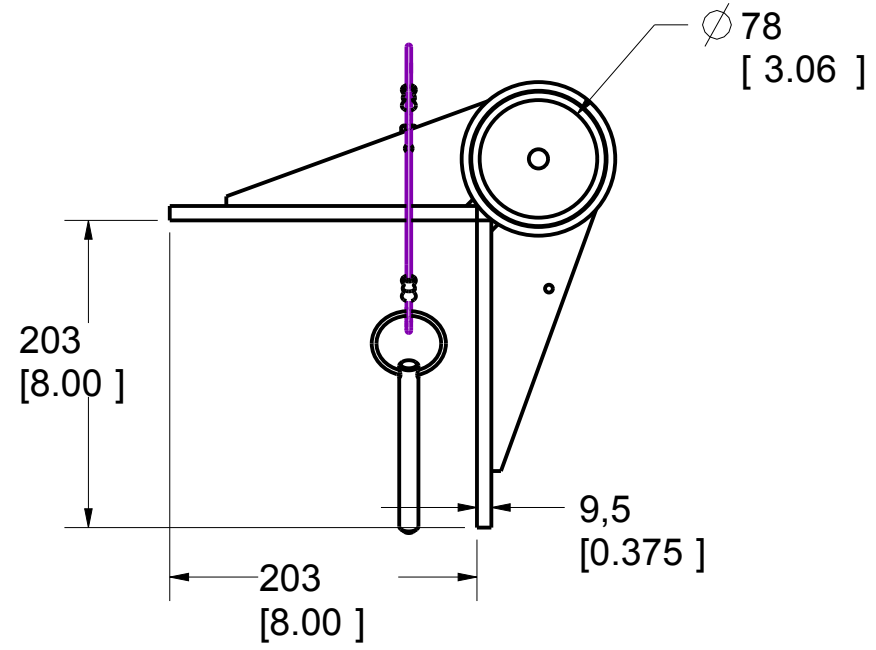
+61 2 4735 3630

E-mail

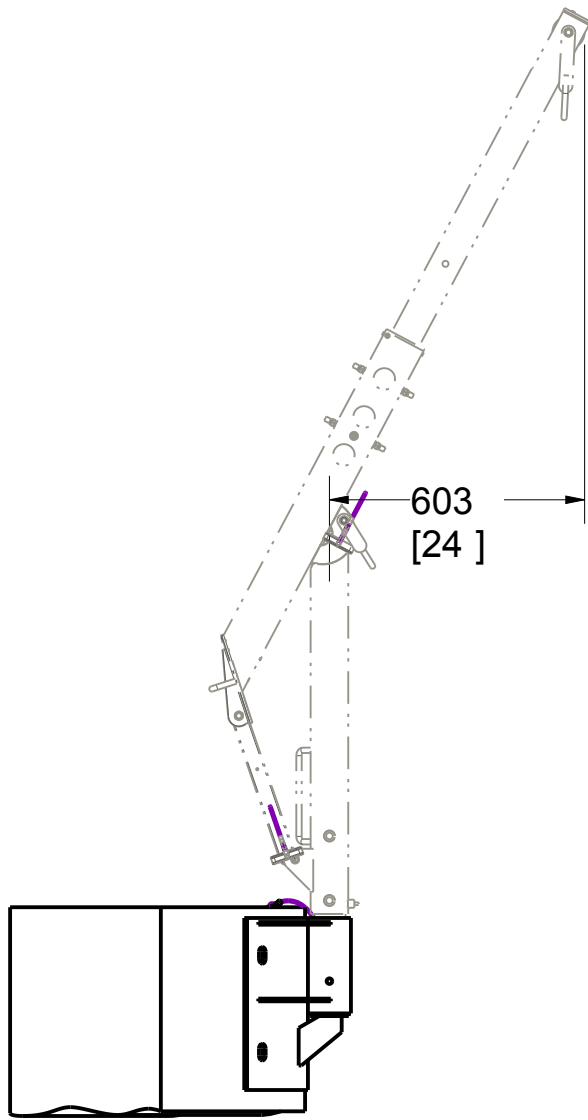
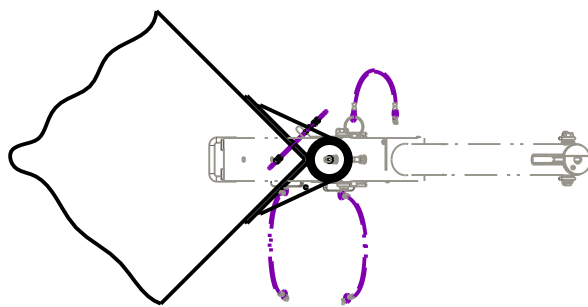
sales@spanset.com.au

Internet

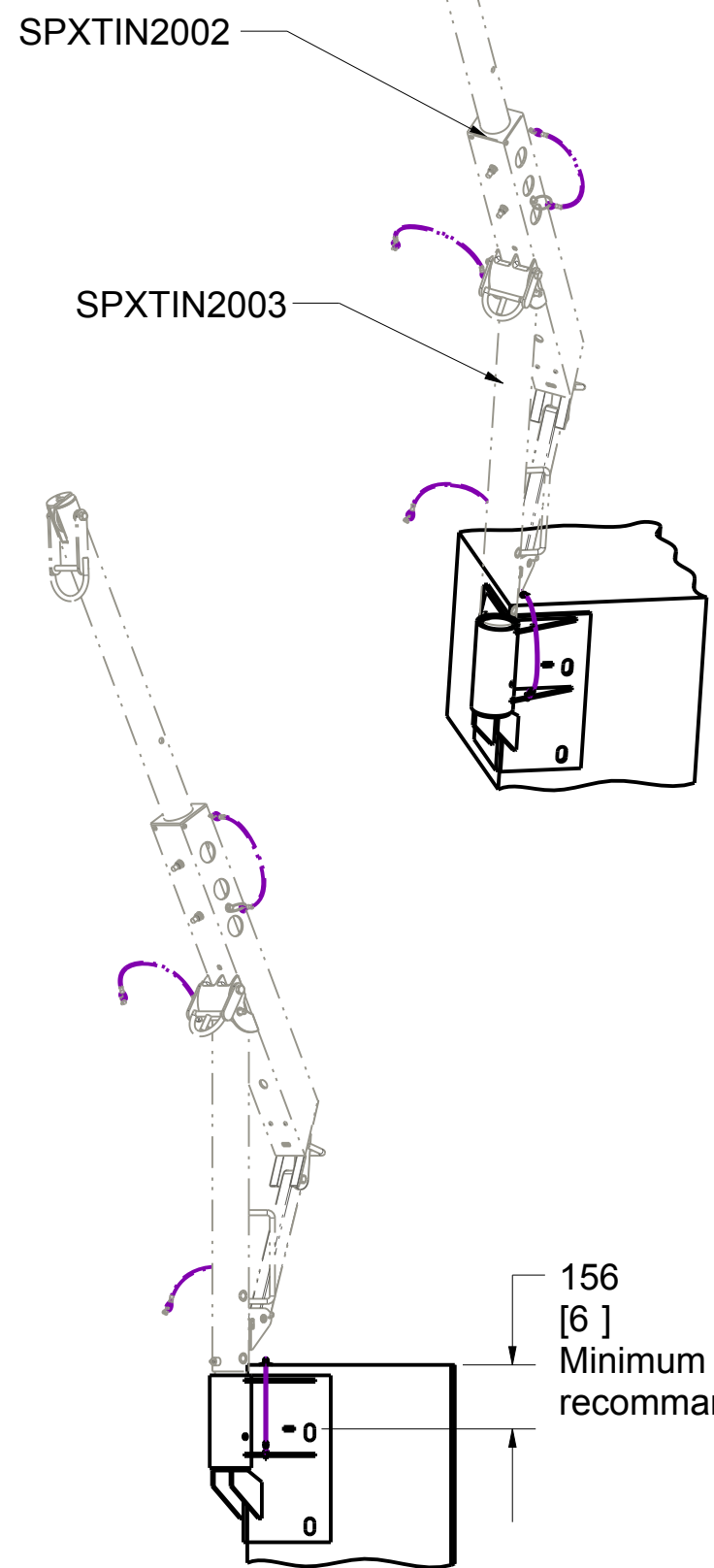
www.spanset.com.au



PAT. NO.:		©2008/02/19	©
PRODUITS DE SERVICE PUBLICS INNOVA INC. INNOVA PUBLIC UTILITY PRODUCTS INC.			
<small>© 9105-0732 QUEBEC INC. and under exclusive license to INNOVA PUBLIC UTILITY PRODUCTS INC. (hereafter « INNOVA »). All rights reserved. Protected under the Copyright Act of Canada and international treaties and agreements regarding copyrights. Violators are subject to prosecution and other legal recourses for infringement. Any reproduction, adaptation or other use or disclosure whatsoever, in totality or in part, and in any form or by any means whatsoever, strictly forbidden and requires the prior written approval of INNOVA. All data is the exclusive property of 9105-0732 QUEBEC INC. and under exclusive license to INNOVA and cannot be used nor disclosed in any way either without the prior written approval of INNOVA.</small>			
WEIGHT:	TITLE:		
38 Lbs	90deg corner adapter		
17 Kg			
COLOR:	MATERIAL:	SHEET(S):	PROJECT:
	Stainless	1 / 4	SPXTIN2131



603
[24]



SPXTIN2002

SPXTIN2003

156
[6]
Minimum distance
recommanded

Recommandations:

Concrete must be made of 0,2% brut area reinforced 2000psi (13.8 MPa) or better.
Minimum thickness of 8" (203mm).

Moment capacity:
120,000 lbf-in (13,558 N-m)
Vertical load: 5,000 lbf (22,241 N).
N.B. It is the responsability of the field Engineer to assure the installation and capacity of the floor and wall structures.

Hardware:

Anchor bolts: Chemical setting 3/4" x 6-5/8" effective holding length and made of 304/316 stainless steel.
Max pulling strength: 17,000 lbf (75,620N N)
To be installed with 3/4" stainless steel washers.

PAT. NO.:		©2008/02/19 ©	
PRODUITS DE SERVICE PUBLICS INNOVA INC. INNOVA PUBLIC UTILITY PRODUCTS INC.			
<small>© 9105-0732 QUEBEC INC. and under exclusive license to INNOVA PUBLIC UTILITY PRODUCTS INC., (hereafter « INNOVA »). All rights reserved. Protected under the Copyright Act of Canada and international treaties and agreements regarding copyrights. Violators are subject to prosecution and other legal recourses for infringement. Any reproduction, adaptation or other use or disclosure whatsoever, in totality or in part, and in any form or by any means whatsoever, strictly forbidden and requires the prior written approval of INNOVA. All data is the exclusive property of 9105-0732 QUEBEC INC. and under exclusive license to INNOVA and cannot be used nor disclosed in any way either without the prior written approval of INNOVA.</small>			
WEIGHT:	TITLE:		
38 Lbs	90deg corner adapter		
17 Kg			
COLOR:	MATERIAL:	SHEET(S):	PROJECT:
	Stainless	2 / 4	SPXTIN2131

Product number: SPXTIN2131

SPECIFICATIONS

This product is man rated with a maximum working capacity of 360lbs (164kg). It is only to be used in conjunction with personal fall arrest equipment that limits the maximum arrest force (MAF).

Maximum Working Moment : 976 N-m (8,640 lbf-in)
 Maximum Moment : 13,558 N-m (120,000 lbf-in)

STANDARDS

Meets the following standards:
 OSHA Personal fall arrest system - 1910.66 App C
 ANSI Safety requirements for personal fall arrest system, subsystems and components Z359.1 / 2007
 CAN/CSA Fall arresters, vertical lifelines, and rails Z259.2.1-98

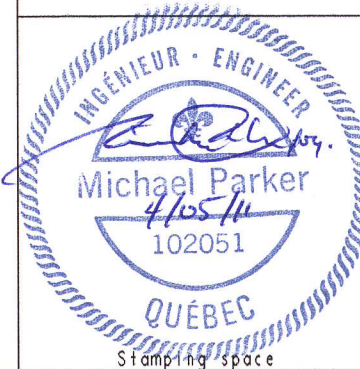
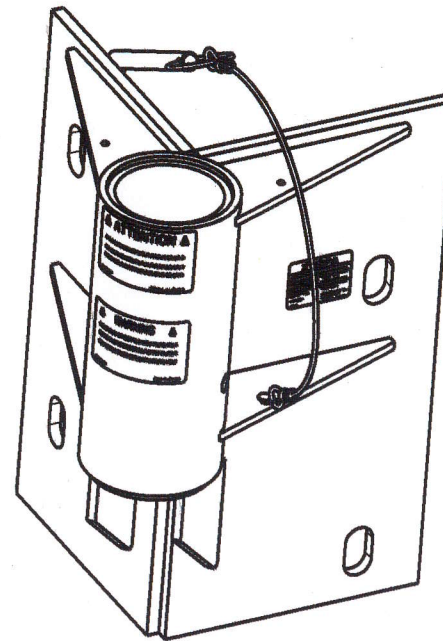
MATERIAL AND CONSTRUCTION

Plate, gussets and sleeve : 304 Stainless Steel
 Sleeve bearing : PVC Pipe.
 Pin : Stainless Steel
 Lanyard : Nylon covered Steel Cable
 Welding Certification : CSA W59 & W47.1, AWS D1.6

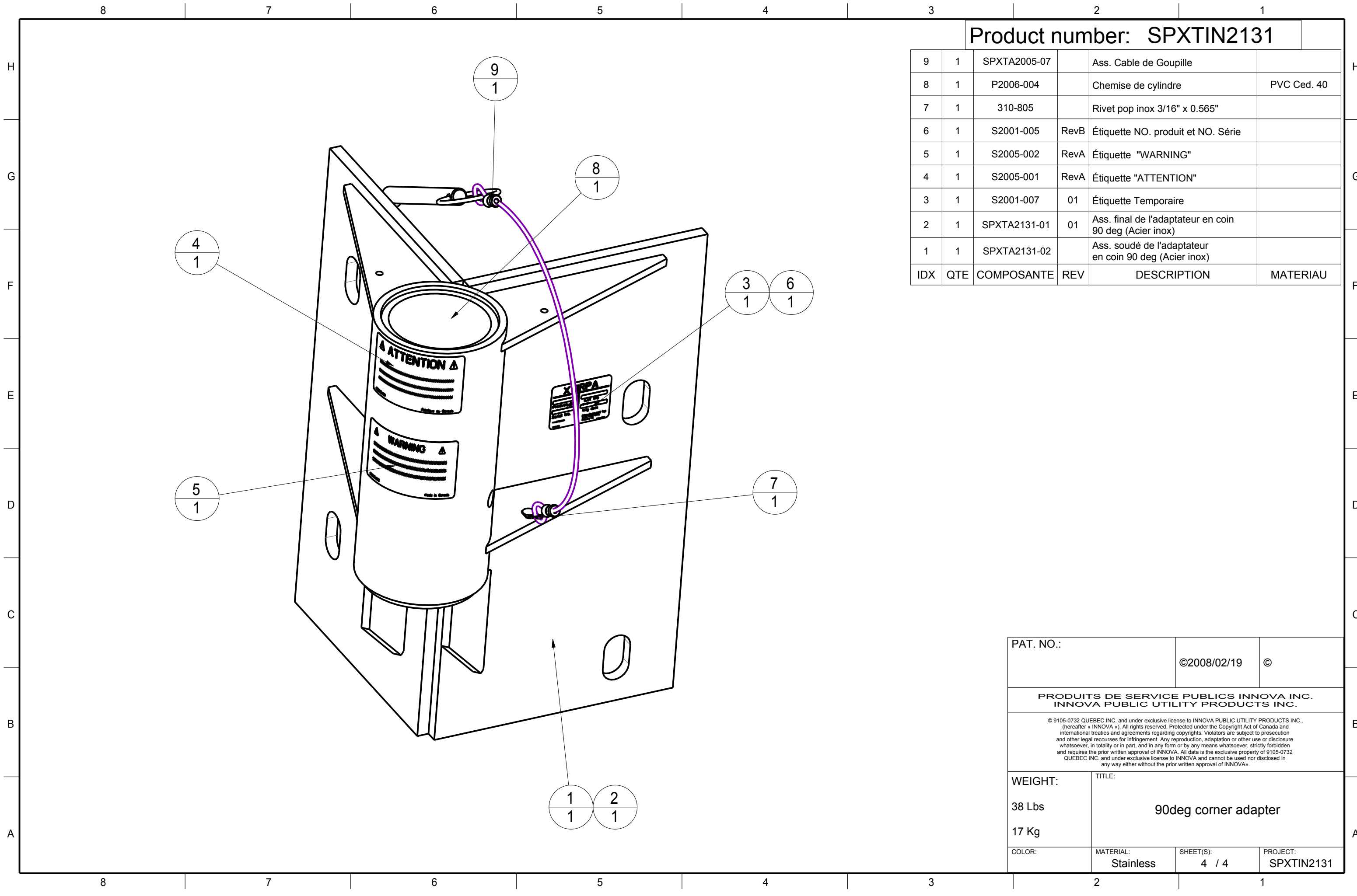
RESTRICTIONS

IMPORTANT :

The positioning pin must always be in place when manouvering personnel. Adaptors are designed to function only with Innova public utility products INC. equipment. Anchorage hardware must be installed by qualified and experienced personnel. The installer must follow the anchorage hardware manufacturers recommendations at all time. Periodic inspections of hardware must be done. All equipment and hardware must be inspected before re-using by qualified personnel when a fall has accured.



PAT. NO. :		©2008/02/19 ©	
PRODUITS DE SERVICE PUBLICS INNOVA INC. INNOVA PUBLIC UTILITY PRODUCTS INC.			
<small>© 0105-0732 QUEBEC INC. and under exclusive license to INNOVA PUBLIC UTILITY PRODUCTS INC. (hereafter "INNOVA"). All rights reserved. Protected under the Copyright Act of Canada and international treaties and agreements regarding copyrights. Violators are subject to prosecution and other legal remedies for infringement. Any reproduction, adaptation or other use or disclosure whatsoever, in totality or in part, and in any form or by any means whatsoever, strictly forbidden and requires the prior written approval of INNOVA. All data is the exclusive property of 0105-0732 QUEBEC INC. and under exclusive license to INNOVA and cannot be used nor disclosed in any way either without the prior written approval of INNOVA.</small>			
WEIGHT :		TITLE :	
38 Lbs		90deg corner adapter	
17 Kg.			
COLOR :	MATERIAL :	SHEET(S) :	PROJECT :
	Stainless	3 / 4	SPXTIN2131



Product number: SPXTIN2131

IDX	QTE	COMPOSANTE	REV	DESCRIPTION	MATERIAU
9	1	SPXTA2005-07		Ass. Cable de Goupille	
8	1	P2006-004		Chemise de cylindre	PVC Ced. 40
7	1	310-805		Rivet pop inox 3/16" x 0.565"	
6	1	S2001-005	RevB	Étiquette NO. produit et NO. Série	
5	1	S2005-002	RevA	Étiquette "WARNING"	
4	1	S2005-001	RevA	Étiquette "ATTENTION"	
3	1	S2001-007	01	Étiquette Temporaire	
2	1	SPXTA2131-01	01	Ass. final de l'adaptateur en coin 90 deg (Acier inox)	
1	1	SPXTA2131-02		Ass. soudé de l'adaptateur en coin 90 deg (Acier inox)	

PAT. NO.:		©2008/02/19	©
PRODUITS DE SERVICE PUBLICS INNOVA INC. INNOVA PUBLIC UTILITY PRODUCTS INC.			
<small>© 9105-0732 QUEBEC INC. and under exclusive license to INNOVA PUBLIC UTILITY PRODUCTS INC., (hereafter « INNOVA »). All rights reserved. Protected under the Copyright Act of Canada and international treaties and agreements regarding copyrights. Violators are subject to prosecution and other legal recourses for infringement. Any reproduction, adaptation or other use or disclosure whatsoever, in totality or in part, and in any form or by any means whatsoever, strictly forbidden and requires the prior written approval of INNOVA. All data is the exclusive property of 9105-0732 QUEBEC INC. and under exclusive license to INNOVA and cannot be used nor disclosed in any way either without the prior written approval of INNOVA.</small>			
WEIGHT:	TITLE:		
38 Lbs	90deg corner adapter		
17 Kg			
COLOR:	MATERIAL:	SHEET(S):	PROJECT:
	Stainless	4 / 4	SPXTIN2131