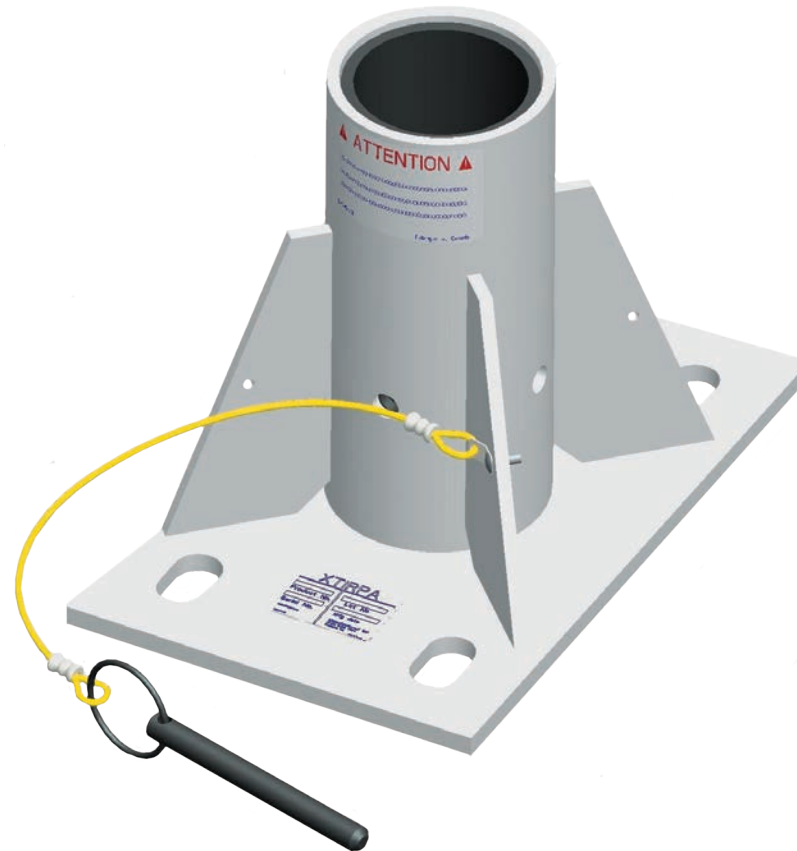


SPXTIN2137-01: Central Floor Adapter – Zinc Plated



SpanSet Australia Ltd

150 Old Bathurst Road
Emu Plains
NSW 2750
Australia

Telephone

+61 2 4735 3955

Fax

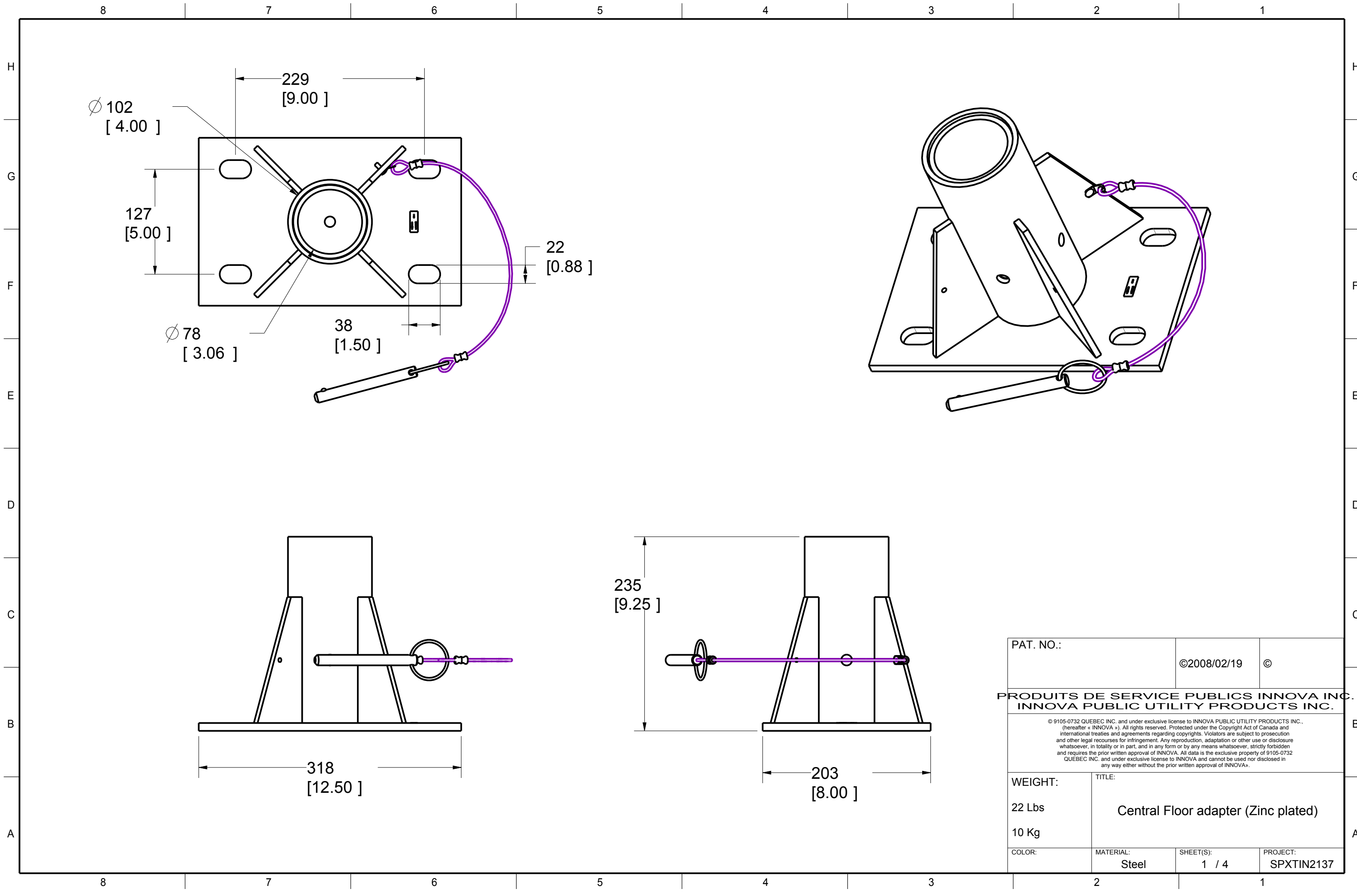
+61 2 4735 3630

E-mail

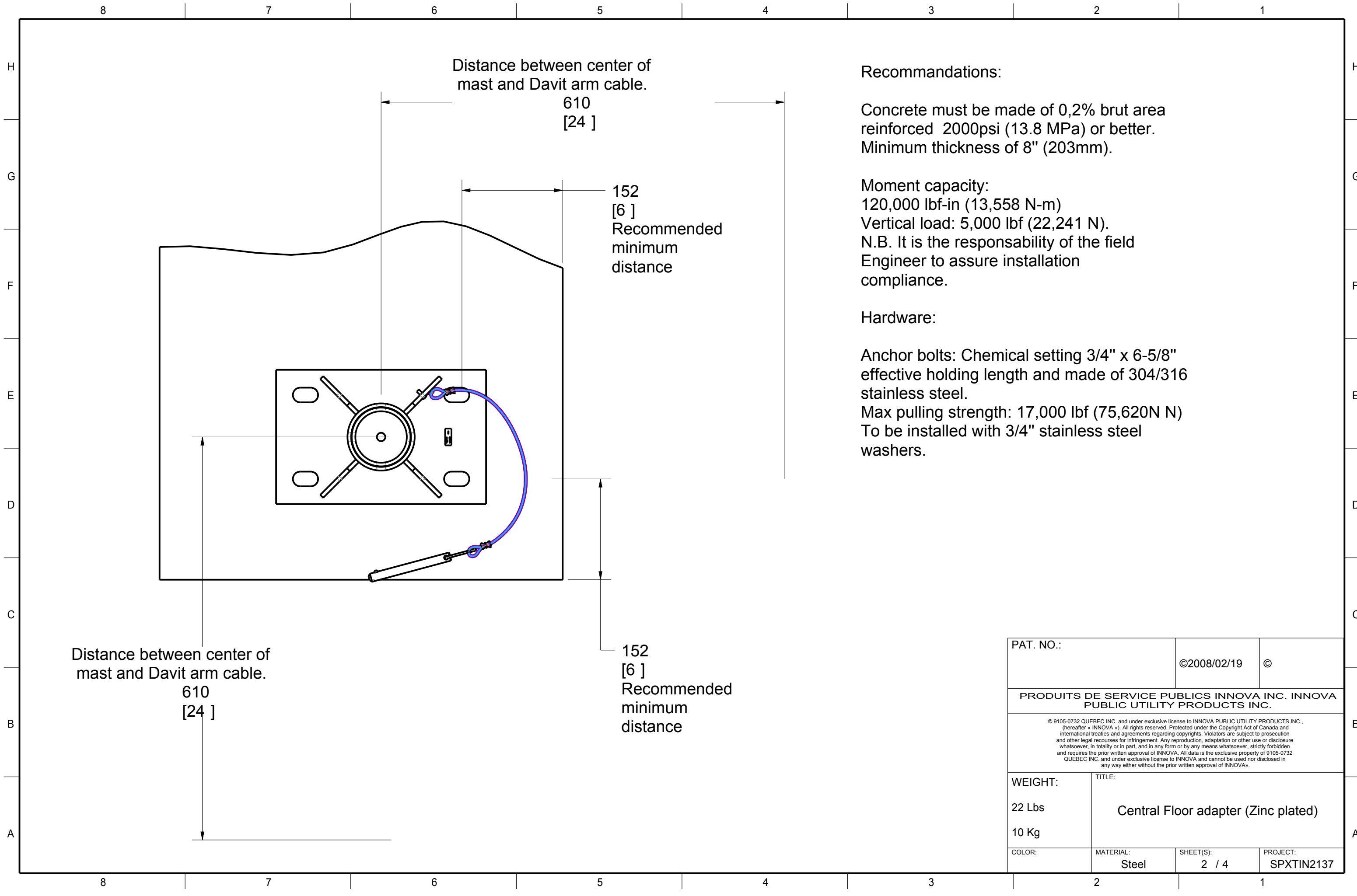
sales@spanset.com.au

Internet

www.spanset.com.au



| | | | | |
|---|-------------------------------------|-------------|------------|---|
| PAT. NO.: | | ©2008/02/19 | | © |
| PRODUITS DE SERVICE PUBLICS INNOVA INC. INNOVA PUBLIC UTILITY PRODUCTS INC. | | | | |
| <small>© 9105-0732 QUEBEC INC. and under exclusive license to INNOVA PUBLIC UTILITY PRODUCTS INC., (hereafter « INNOVA »). All rights reserved. Protected under the Copyright Act of Canada and international treaties and agreements regarding copyrights. Violators are subject to prosecution and other legal recourses for infringement. Any reproduction, adaptation or other use or disclosure whatsoever, in totality or in part, and in any form or by any means whatsoever, strictly forbidden and requires the prior written approval of INNOVA. All data is the exclusive property of 9105-0732 QUEBEC INC. and under exclusive license to INNOVA and cannot be used nor disclosed in any way either without the prior written approval of INNOVA.</small> | | | | |
| WEIGHT: | TITLE: | | | |
| 22 Lbs | Central Floor adapter (Zinc plated) | | | |
| 10 Kg | | | | |
| COLOR: | MATERIAL: | SHEET(S): | PROJECT: | |
| | Steel | 1 / 4 | SPXTIN2137 | |



Distance between center of mast and Davit arm cable.

610
[24]

152
[6]
Recommended minimum distance

Distance between center of mast and Davit arm cable.

610
[24]

152
[6]
Recommended minimum distance

Recommandations:

Concrete must be made of 0,2% brut area reinforced 2000psi (13.8 MPa) or better. Minimum thickness of 8" (203mm).

Moment capacity:
120,000 lbf-in (13,558 N-m)
Vertical load: 5,000 lbf (22,241 N).
N.B. It is the responsibility of the field Engineer to assure installation compliance.

Hardware:

Anchor bolts: Chemical setting 3/4" x 6-5/8" effective holding length and made of 304/316 stainless steel.
Max pulling strength: 17,000 lbf (75,620N N)
To be installed with 3/4" stainless steel washers.

| | | | |
|---|-------------------------------------|-------------|------------|
| PAT. NO.: | | ©2008/02/19 | © |
| PRODUITS DE SERVICE PUBLICS INNOVA INC. INNOVA PUBLIC UTILITY PRODUCTS INC. | | | |
| <small>© 9105-0732 QUEBEC INC. and under exclusive license to INNOVA PUBLIC UTILITY PRODUCTS INC., (hereafter « INNOVA »). All rights reserved. Protected under the Copyright Act of Canada and international treaties and agreements regarding copyrights. Violators are subject to prosecution and other legal recourses for infringement. Any reproduction, adaptation or other use or disclosure whatsoever, in totality or in part, and in any form or by any means whatsoever, strictly forbidden and requires the prior written approval of INNOVA. All data is the exclusive property of 9105-0732 QUEBEC INC. and under exclusive license to INNOVA and cannot be used nor disclosed in any way either without the prior written approval of INNOVA.</small> | | | |
| WEIGHT: | TITLE: | | |
| 22 Lbs | Central Floor adapter (Zinc plated) | | |
| 10 Kg | | | |
| COLOR: | MATERIAL: | SHEET(S): | PROJECT: |
| | Steel | 2 / 4 | SPXTIN2137 |

Product number: SPXTIN2137

SPECIFICATIONS

H This product is man rated with a maximum working capacity of 360lbs (164kg). It is only to be used in conjunction with personal fall arrest equipment that limits the maximum arrest force (MAF).

Maximum Working Moment : 976 N-m (8,640 lbf-in)
Maximum Moment : 13,558 N-m (120,000 lbf-in)

STANDARDS

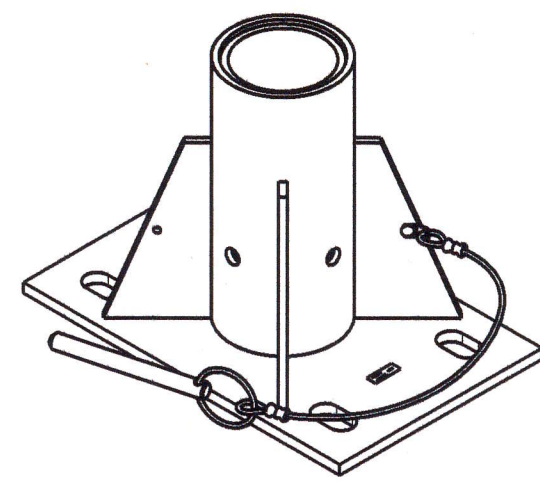
F Meets the following standards:
OSHA Personal fall arrest system - 1910.66 App C
ANSI Safety requirements for personal fall arrest system, subsystems and components Z359.1 / 2007
CAN/CSA Fall arresters, vertical lifelines, and rails Z259.2.1-98

MATERIAL AND CONSTRUCTION

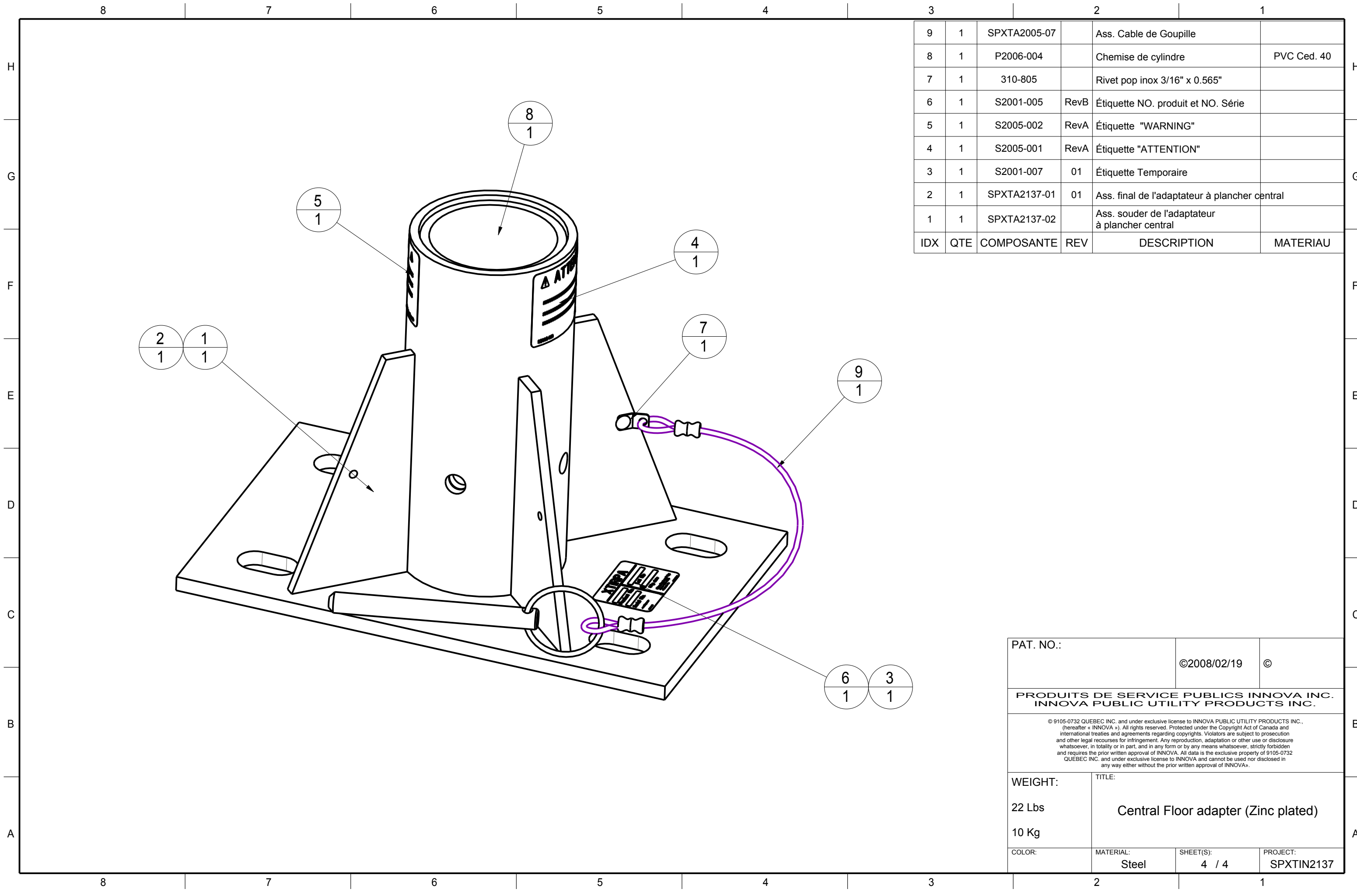
D Plate and gussets : Steel 44W (300W) CSA G40.21
Sleeve : Steel 1026 DOM
Finish : Zinc plated, ASTM B633-85, Type III, SC2
Sleeve bearing : PVC Pipe.
Pin : Stainless Steel
Lanyard : Nylon covered Steel Cable
Welding Certification : CSA W59 & W47.1, AWS DI.6

RESTRICTIONS

B IMPORTANT :
The positioning pin must always be in place when manouvering personnel. Adaptors are designed to function only with Innova public utility products INC. equipment. Anchorage hardware must be installed by qualified and experienced personnel. The installer must follow the anchorage hardware manufacturers recommendations at all time. Periodic inspections of hardware must be done. All equipment and hardware must be inspected before re-using by qualified personnel when a fall has occured.



| | | | |
|--|-------------------------------------|---------------|------------|
| PAT. NO.: | | ©2008/02/19 © | |
| PRODUITS DE SERVICE PUBLICS INNOVA INC. INNOVA PUBLIC UTILITY PRODUCTS INC. | | | |
| <small>© 9105-0732 QUEBEC INC. and under exclusive license to INNOVA PUBLIC UTILITY PRODUCTS INC. InnoVator's INNOVA®. All rights reserved. Protected under the Copyright Act of Canada and international treaties and agreements regarding copyrights. Producers are subject to prosecution and other legal recourse for infringement. Any reproduction, adaptation or other use or disclosure whatsoever, in totality or in part, and in any form or by any means whatsoever, strictly forbidden and requires the prior written approval of INNOVA. All data is the exclusive property of 9105-0732 QUEBEC INC. and under exclusive license to INNOVA and cannot be used nor disclosed in any way either without the prior written approval of INNOVA.</small> | | | |
| WEIGHT: | TITLE: | | |
| 22 Lbs | Central Floor adapter (Zinc plated) | | |
| 10 Kg | | | |
| COLOR: | MATERIAL: | SHEET(S): | PROJECT: |
| | Steel | 3 / 4 | SPXTIN2137 |



| IDX | QTE | COMPOSANTE | REV | DESCRIPTION | MATERIAU |
|-----|-----|--------------|------|--|-------------|
| 9 | 1 | SPXTA2005-07 | | Ass. Cable de Goupille | |
| 8 | 1 | P2006-004 | | Chemise de cylindre | PVC Ced. 40 |
| 7 | 1 | 310-805 | | Rivet pop inox 3/16" x 0.565" | |
| 6 | 1 | S2001-005 | RevB | Étiquette NO. produit et NO. Série | |
| 5 | 1 | S2005-002 | RevA | Étiquette "WARNING" | |
| 4 | 1 | S2005-001 | RevA | Étiquette "ATTENTION" | |
| 3 | 1 | S2001-007 | 01 | Étiquette Temporaire | |
| 2 | 1 | SPXTA2137-01 | 01 | Ass. final de l'adaptateur à plancher central | |
| 1 | 1 | SPXTA2137-02 | | Ass. souder de l'adaptateur à plancher central | |

| | | | |
|---|-------------------------------------|-------------|------------|
| PAT. NO.: | | ©2008/02/19 | © |
| PRODUITS DE SERVICE PUBLICS INNOVA INC. INNOVA PUBLIC UTILITY PRODUCTS INC. | | | |
| <small>© 9105-0732 QUEBEC INC. and under exclusive license to INNOVA PUBLIC UTILITY PRODUCTS INC., (hereafter « INNOVA »). All rights reserved. Protected under the Copyright Act of Canada and international treaties and agreements regarding copyrights. Violators are subject to prosecution and other legal recourses for infringement. Any reproduction, adaptation or other use or disclosure whatsoever, in totality or in part, and in any form or by any means whatsoever, strictly forbidden and requires the prior written approval of INNOVA. All data is the exclusive property of 9105-0732 QUEBEC INC. and under exclusive license to INNOVA and cannot be used nor disclosed in any way either without the prior written approval of INNOVA.</small> | | | |
| WEIGHT: | TITLE: | | |
| 22 Lbs | Central Floor adapter (Zinc plated) | | |
| 10 Kg | | | |
| COLOR: | MATERIAL: | SHEET(S): | PROJECT: |
| | Steel | 4 / 4 | SPXTIN2137 |