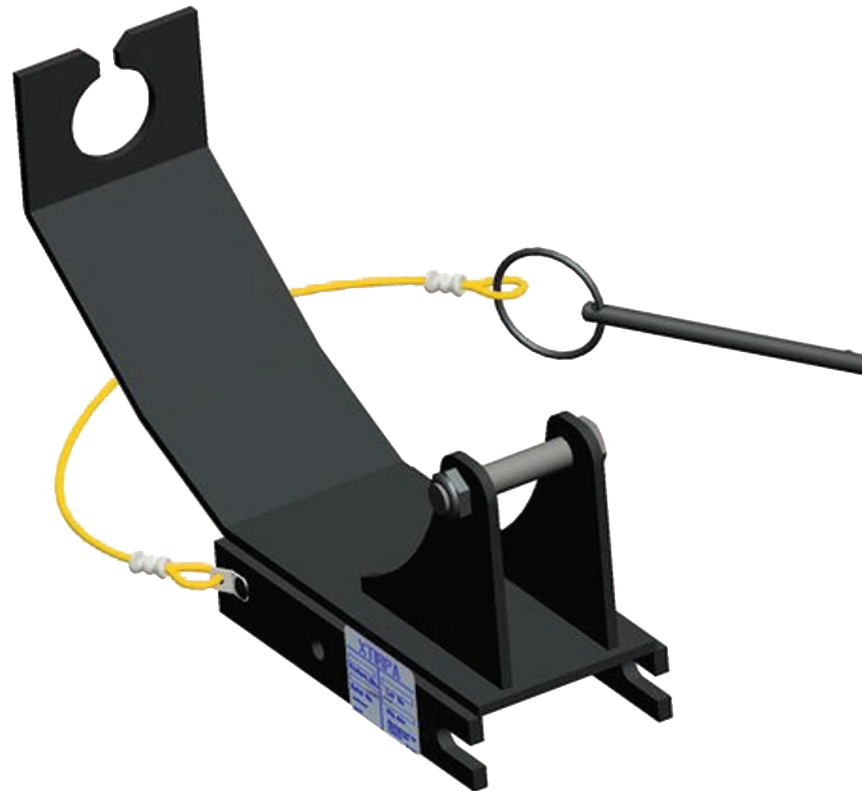


## SPXTIN2152-01: Adapter for Protecta Winch



### SpanSet Australia Ltd

150 Old Bathurst Road  
Emu Plains  
NSW 2750  
Australia

### Telephone

+61 2 4735 3955

### Fax

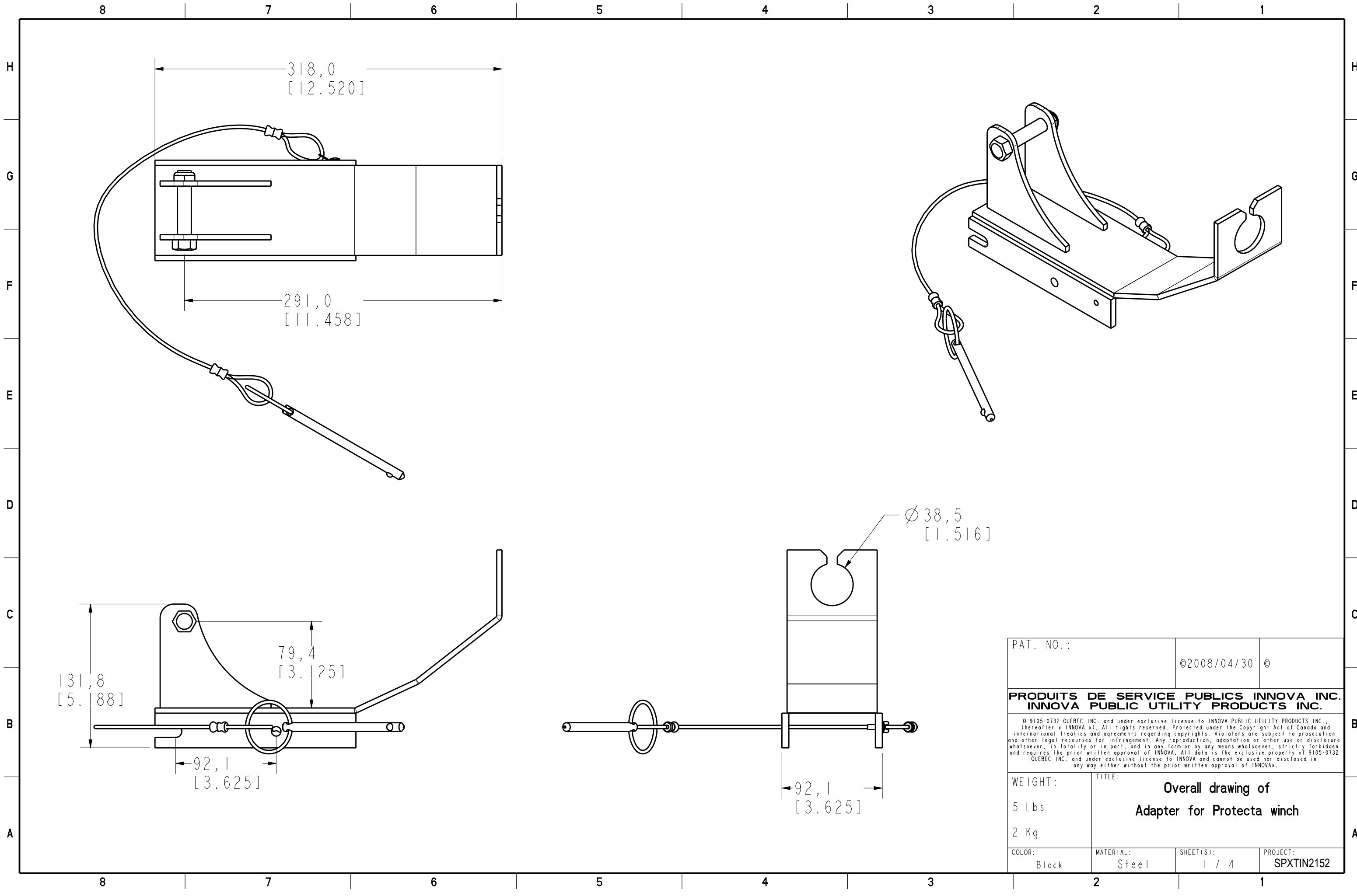
+61 2 4735 3630

### E-mail

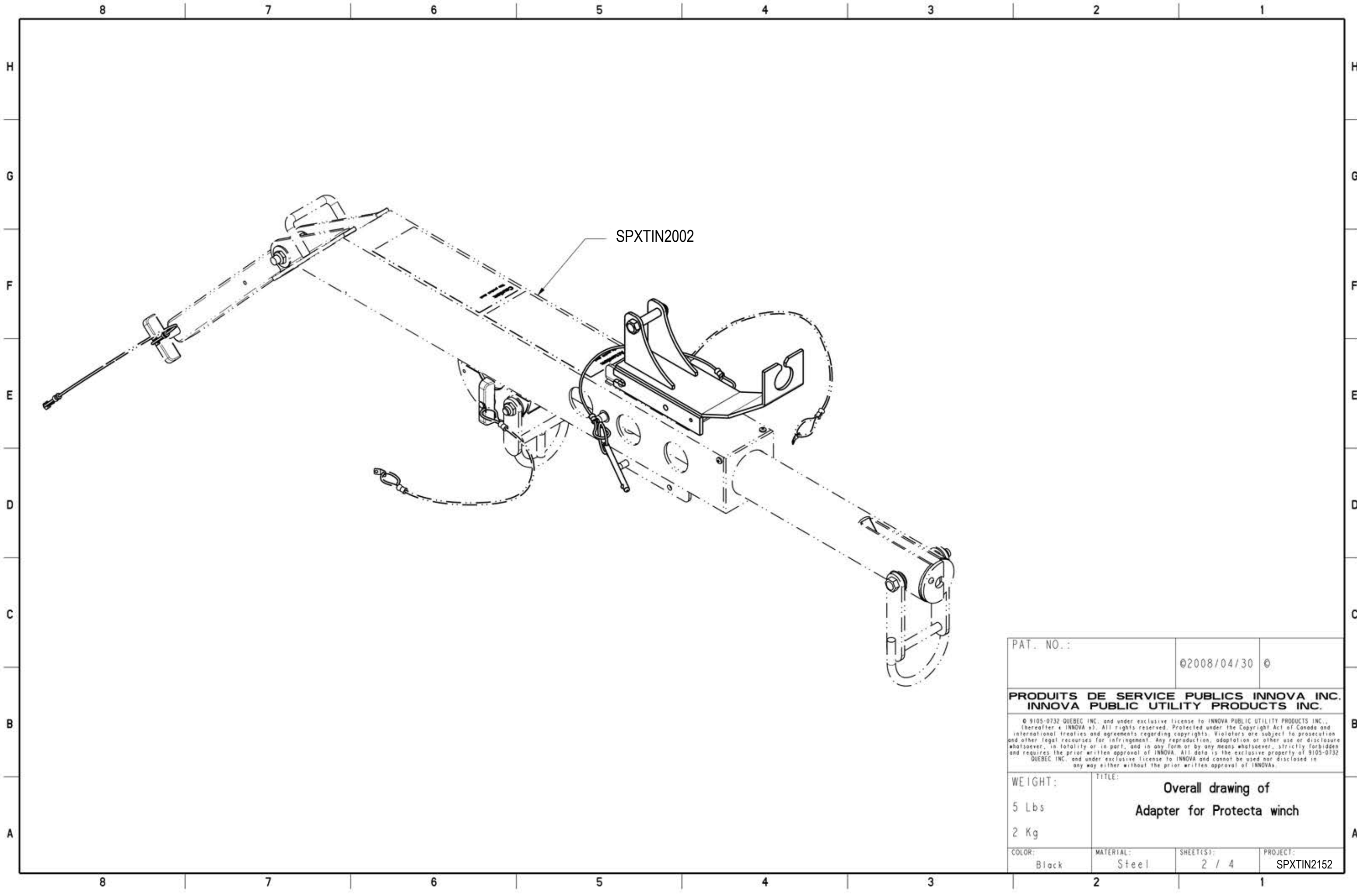
[sales@spanset.com.au](mailto:sales@spanset.com.au)

### Internet

[www.spanset.com.au](http://www.spanset.com.au)



PAT. NO.:		©2008/04/30 ©	
<b>PRODUITS DE SERVICE PUBLICS INNOVA INC.</b> <b>INNOVA PUBLIC UTILITY PRODUCTS INC.</b>			
<small>© 9105-0732 QUEBEC INC. and under exclusive license to INNOVA PUBLIC UTILITY PRODUCTS INC., (hereafter « INNOVA »). All rights reserved. Protected under the Copyright Act of Canada and international treaties and agreements regarding copyrights. Violators are subject to prosecution and other legal recourses for infringement. Any reproduction, adaptation or other use or disclosure whatsoever, in totality or in part, and in any form or by any means whatsoever, strictly forbidden and requires the prior written approval of INNOVA. All data is the exclusive property of 9105-0732 QUEBEC INC. and under exclusive license to INNOVA and cannot be used nor disclosed in any way either without the prior written approval of INNOVA.</small>			
WEIGHT:	TITLE:		
5 Lbs	Overall drawing of		
2 Kg	Adapter for Protecta winch		
COLOR:	MATERIAL:	SHEET(S):	PROJECT:
Black	Steel	1 / 4	SPXTIN2152



SPXTIN2002

PAT. NO.:		©2008/04/30 ©	
<b>PRODUITS DE SERVICE PUBLICS INNOVA INC.</b> <b>INNOVA PUBLIC UTILITY PRODUCTS INC.</b>			
<small>© 9105-0732 QUEBEC INC. and under exclusive license to INNOVA PUBLIC UTILITY PRODUCTS INC., thereafter « INNOVA ». All rights reserved. Protected under the Copyright Act of Canada and international treaties and agreements regarding copyrights. Violators are subject to prosecution and other legal recourses for infringement. Any reproduction, adaptation or other use or disclosure whatsoever, in totality or in part, and in any form or by any means whatsoever, strictly forbidden and requires the prior written approval of INNOVA. All data is the exclusive property of 9105-0732 QUEBEC INC. and under exclusive license to INNOVA and cannot be used nor disclosed in any way either without the prior written approval of INNOVA.</small>			
WEIGHT:	TITLE:		
5 Lbs	<b>Overall drawing of Adapter for Protecta winch</b>		
2 Kg			
COLOR:	MATERIAL:	SHEET(S):	PROJECT:
Black	Steel	2 / 4	SPXTIN2152

**SPECIFICATIONS**

This product is man rated with a maximum working capacity of 360lbs (164kg). It is only to be used in conjunction with personal fall arrest equipment that limits the maximum arrest force (MAF).

Maximum Working Load (user + equipment) : 164 kg (360 lbs)  
 Maximum Proof Load : 1640 kg (3600 lbs)

**STANDARDS**

Meets the following standards:  
 OSHA Personal fall arrest system - 1910.66 App C  
 ANSI Safety requirements for personal fall arrest system, subsystems and components Z359.1  
 CAN/CSA Fall arresters, vertical lifelines, and rails Z259.2.1-98

**MATERIAL AND CONSTRUCTION**

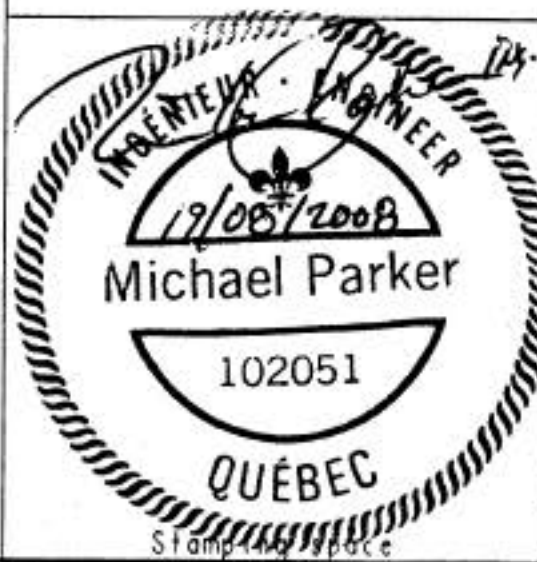
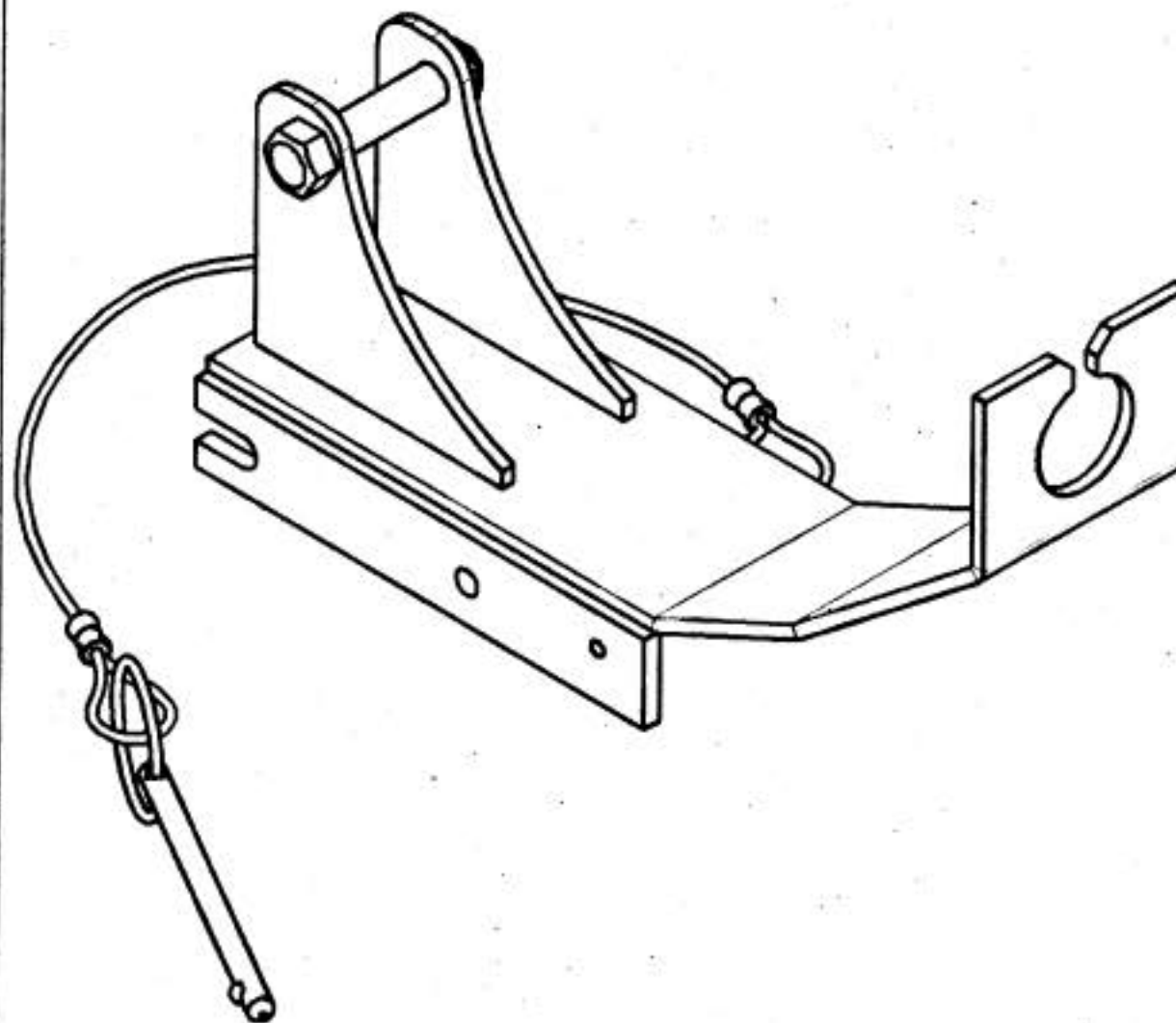
Body and supports : Steel 44W  
 Hardware : Gr.5 Zinc plated Steel  
 Pin : Zinc plated Steel  
 Lanyard : Nylon covered Steel Cable  
 Finish : Black powder paint with metal protection base.  
 Welding Certification : CSA W59 & W47.1, AWS D1.6

**RESTRICTIONS**

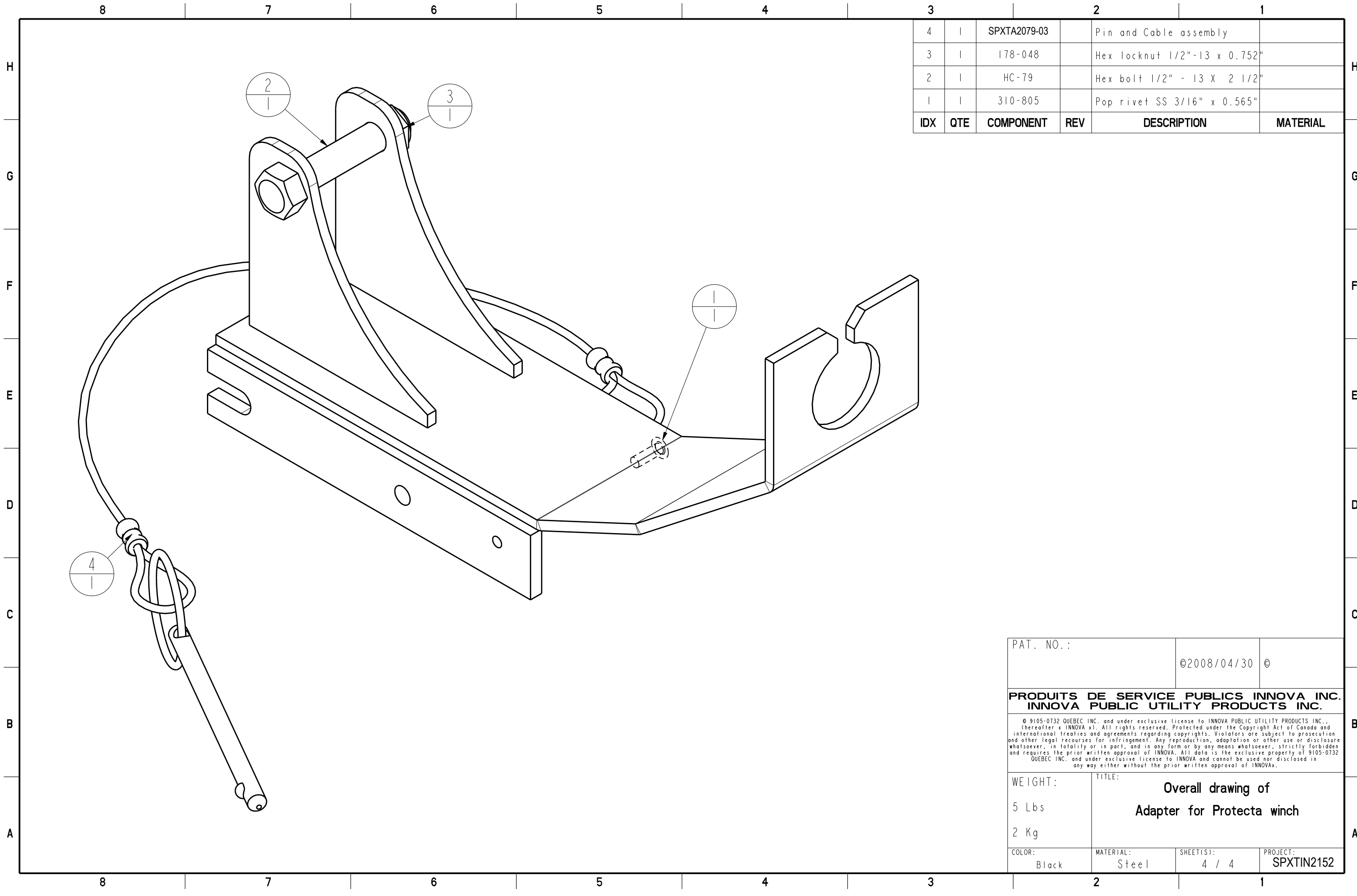
**IMPORTANT :**

The mounting pin and hardware must always be in place at all times. Always use the manufacturers original pin and hardware. No substitutes. Winch adaptors are designed to function only with Innova public utility products INC. equipment. Periodic inspections of winch adaptors must be done to ensure personnel safety. All equipment and hardware must be inspected before re-using by qualified personnel when a fall has occurred.

Product number : SPXTIN2152



PAT. NO.:		02008/04/30	
PRODUITS DE SERVICE PUBLICS INNOVA INC. INNOVA PUBLIC UTILITY PRODUCTS INC.			
<small>© 9195-9732 QUEBEC INC. and under exclusive license to INNOVA PUBLIC UTILITY PRODUCTS INC., hereafter "INNOVA". All rights reserved. Protected under the Copyright Act of Canada and International treaties and agreements regarding copyrights. Violations are subject to prosecution in other legal countries for infringement. Any reproduction, adaptation or other use of disclosure without prior written approval of INNOVA is strictly prohibited and requires the prior written approval of INNOVA. All data is the exclusive property of 9195-9732 QUEBEC INC. and under exclusive license to INNOVA and cannot be used or disclosed in any way other than the prior written approval of INNOVA.</small>			
WEIGHT:	TITLE:		
5 Lbs	Overall drawing of		
2 Kg	Adapter for Protecta winch		
COLOR:	MATERIAL:	DRAWN BY:	PROJECT:
Black	Steel	3 / 4	SPXTIN2152



IDX	QTE	COMPONENT	REV	DESCRIPTION	MATERIAL
4	1	SPXTA2079-03		Pin and Cable assembly	
3	1	178-048		Hex locknut 1/2"-13 x 0.752"	
2	1	HC-79		Hex bolt 1/2" - 13 X 2 1/2"	
1	1	310-805		Pop rivet SS 3/16" x 0.565"	

PAT. NO.:		©2008/04/30 ©	
<b>PRODUITS DE SERVICE PUBLICS INNOVA INC. INNOVA PUBLIC UTILITY PRODUCTS INC.</b>			
<small>© 9105-0732 QUEBEC INC. and under exclusive license to INNOVA PUBLIC UTILITY PRODUCTS INC., (hereafter « INNOVA »). All rights reserved. Protected under the Copyright Act of Canada and international treaties and agreements regarding copyrights. Violators are subject to prosecution and other legal recourses for infringement. Any reproduction, adaptation or other use or disclosure whatsoever, in totality or in part, and in any form or by any means whatsoever, strictly forbidden and requires the prior written approval of INNOVA. All data is the exclusive property of 9105-0732 QUEBEC INC. and under exclusive license to INNOVA and cannot be used nor disclosed in any way either without the prior written approval of INNOVA.</small>			
WEIGHT:	TITLE:		
5 Lbs	<b>Overall drawing of Adapter for Protecta winch</b>		
2 Kg			
COLOR:	MATERIAL:	SHEET(S):	PROJECT:
Black	Steel	4 / 4	SPXTIN2152