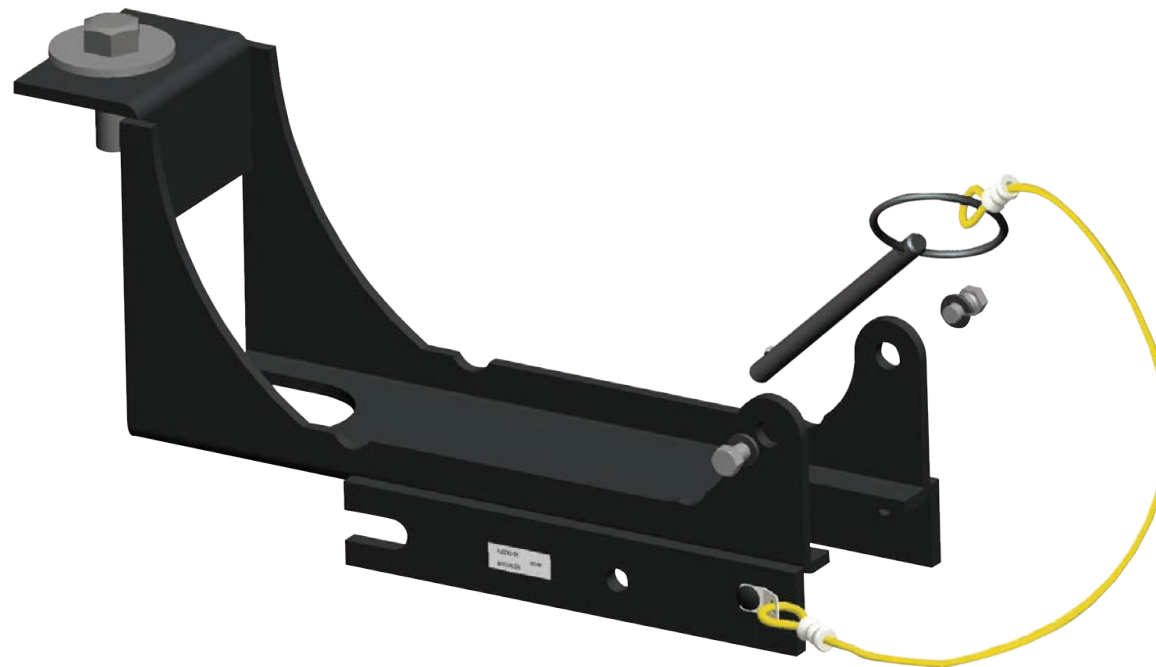


SPXTIN2153-01: Adapter for Miller Winch



SpanSet Australia Ltd

150 Old Bathurst Road
Emu Plains
NSW 2750
Australia

Telephone

+61 2 4735 3955

Fax

+61 2 4735 3630

E-mail

sales@spanset.com.au

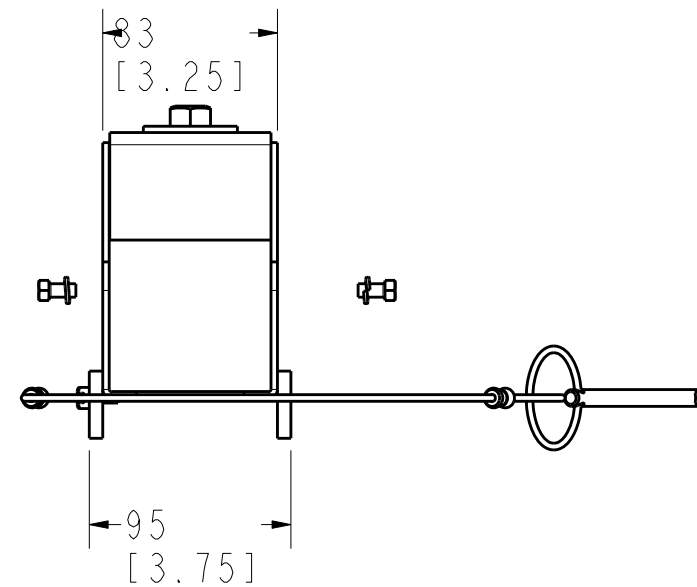
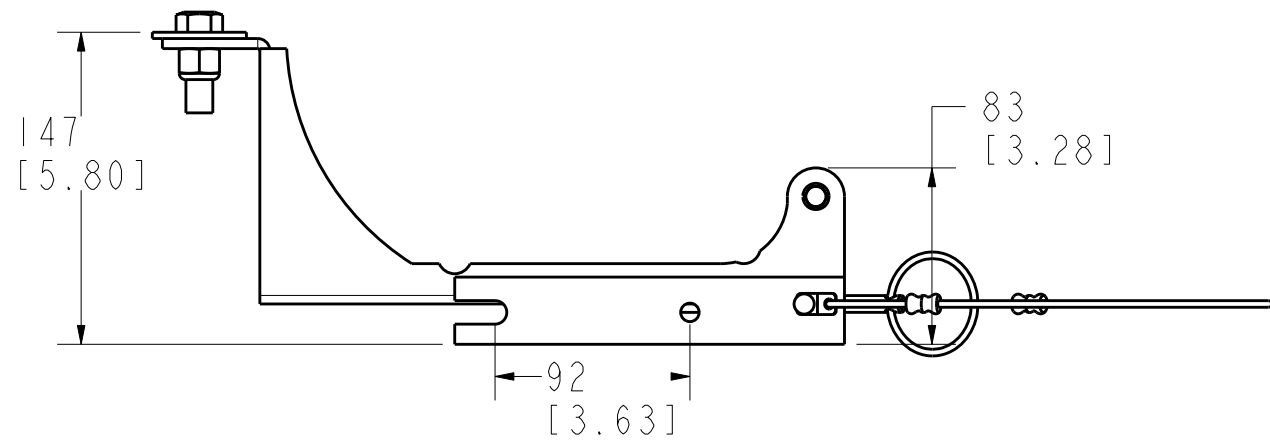
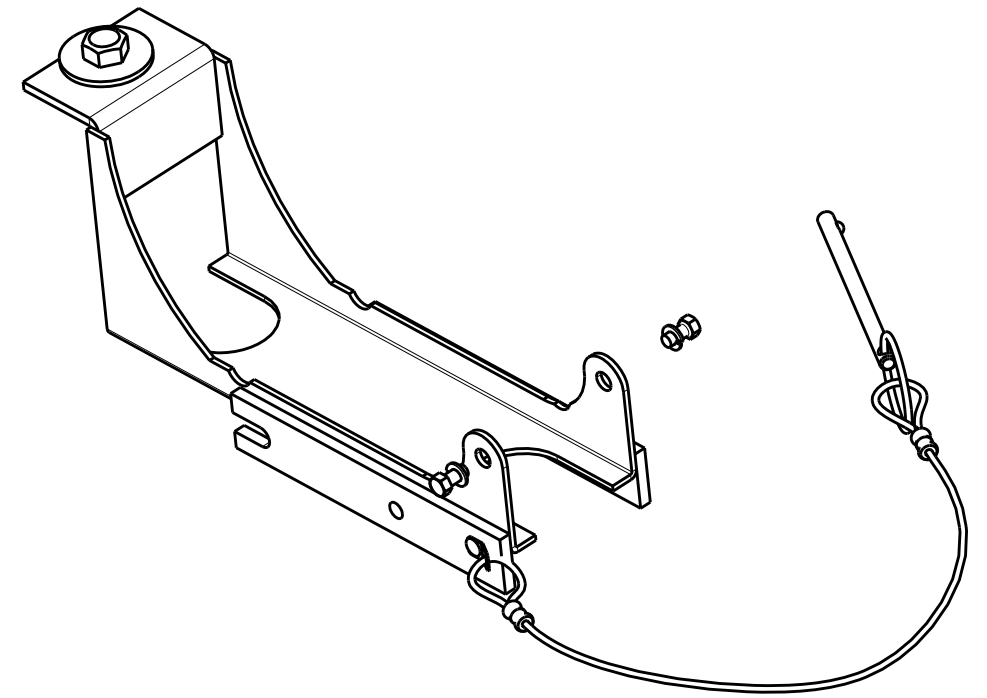
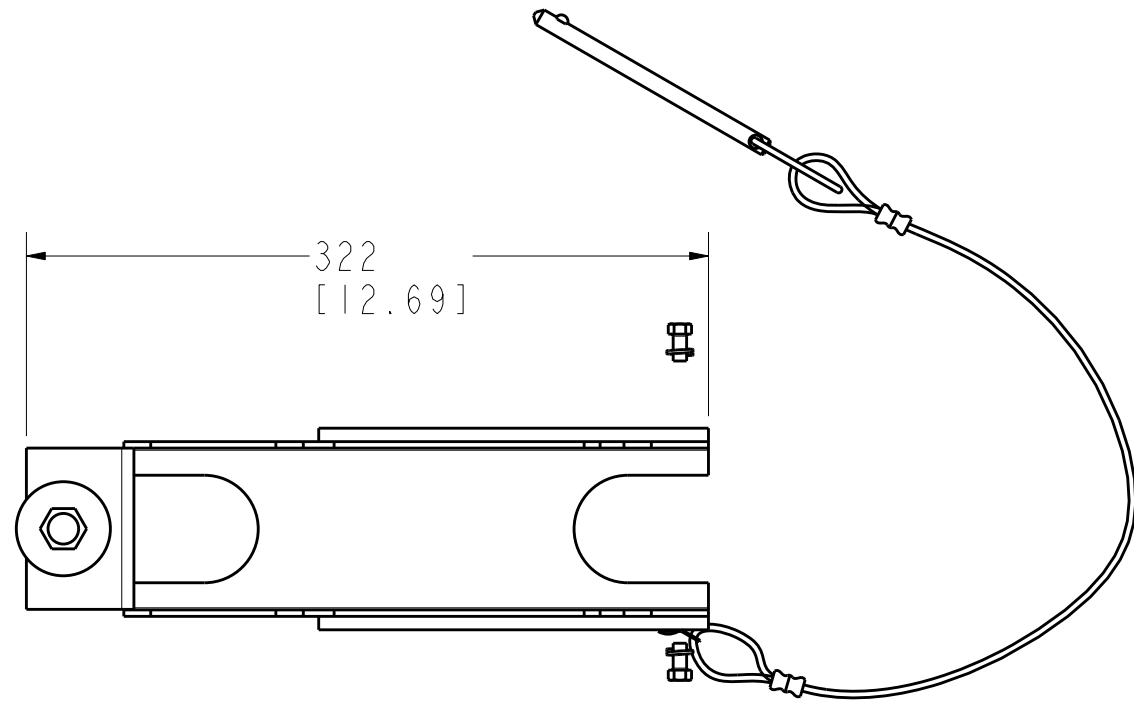
Internet

www.spanset.com.au

8 7 6 5 4 3 2 1

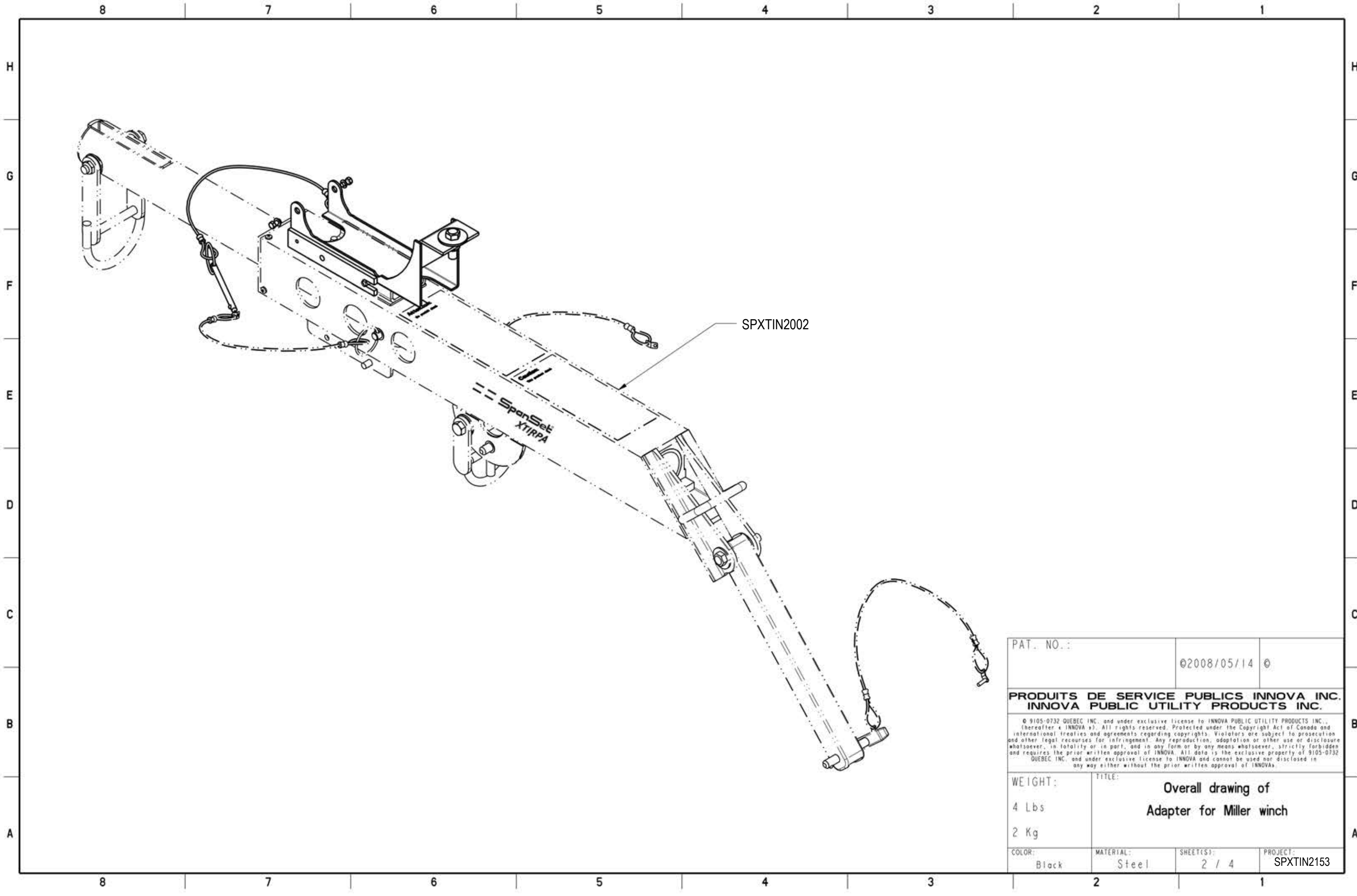
H
G
F
E
D
C
B
A

H
G
F
E
D
C
B
A



PAT. NO.:		©2008/05/14 ©	
PRODUITS DE SERVICE PUBLICS INNOVA INC. INNOVA PUBLIC UTILITY PRODUCTS INC.			
<small>© 9105-0732 QUEBEC INC. and under exclusive license to INNOVA PUBLIC UTILITY PRODUCTS INC., (hereafter « INNOVA »). All rights reserved. Protected under the Copyright Act of Canada and international treaties and agreements regarding copyrights. Violators are subject to prosecution and other legal recourses for infringement. Any reproduction, adaptation or other use or disclosure whatsoever, in totality or in part, and in any form or by any means whatsoever, strictly forbidden and requires the prior written approval of INNOVA. All data is the exclusive property of 9105-0732 QUEBEC INC. and under exclusive license to INNOVA and cannot be used nor disclosed in any way either without the prior written approval of INNOVA.</small>			
WEIGHT:	TITLE:		
4 Lbs	Overall drawing of Adapter for Miller winch		
2 Kg			
COLOR:	MATERIAL:	SHEET(S):	PROJECT:
Black	Steel	1 / 4	SPXTIN2153

8 7 6 5 4 3 2 1



SPXTIN2002

SpanSet
XTIRPA

PAT. NO.:		©2008/05/14 ©	
PRODUITS DE SERVICE PUBLICS INNOVA INC. INNOVA PUBLIC UTILITY PRODUCTS INC.			
<small>© 9105-0732 QUEBEC INC. and under exclusive license to INNOVA PUBLIC UTILITY PRODUCTS INC., thereafter « INNOVA ». All rights reserved. Protected under the Copyright Act of Canada and international treaties and agreements regarding copyrights. Violators are subject to prosecution and other legal recourses for infringement. Any reproduction, adaptation or other use or disclosure whatsoever, in totality or in part, and in any form or by any means whatsoever, strictly forbidden and requires the prior written approval of INNOVA. All data is the exclusive property of 9105-0732 QUEBEC INC. and under exclusive license to INNOVA and cannot be used nor disclosed in any way either without the prior written approval of INNOVA.</small>			
WEIGHT:	TITLE:		
4 Lbs	Overall drawing of Adapter for Miller winch		
2 Kg			
COLOR:	MATERIAL:	SHEET(S):	PROJECT:
Black	Steel	2 / 4	SPXTIN2153

SPECIFICATIONS

This product is man rated with a maximum working capacity of 360lbs (164kg). It is only to be used in conjunction with personal fall arrest equipment that limits the maximum arreest force (MAF).

Maximum Working Load (user + equipment) : 164 kg (360 lbs)
 Maximum Proof Load : 1640 kg (3600 lbs)

STANDARDS

Meets the following standards:
 OSHA Personal fall arrest system - 1910.66 App C
 ANSI Safety requirements for personal fall arrest system, subsystems and components Z359.1
 CAN/CSA Fall arresters, vertical lifelines, and rails Z259.2.1-98

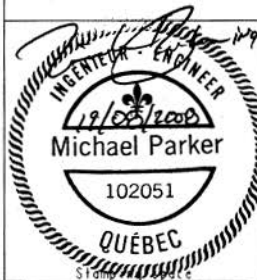
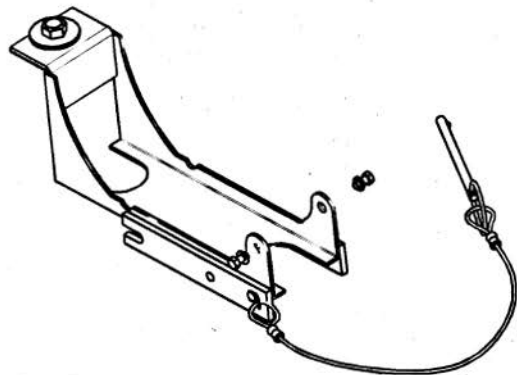
MATERIAL AND CONSTRUCTION

Body and supports : Steel 44W
 Hardware :Gr.5 Zinc plated Steel
 Pin : Zinc plated Steel
 Lanyard : Nylon covered Steel Cable
 Finish : Black powder paint with metal protection base.
 Welding Certification : CSA W59 & W47.1,
 AWS D1.6

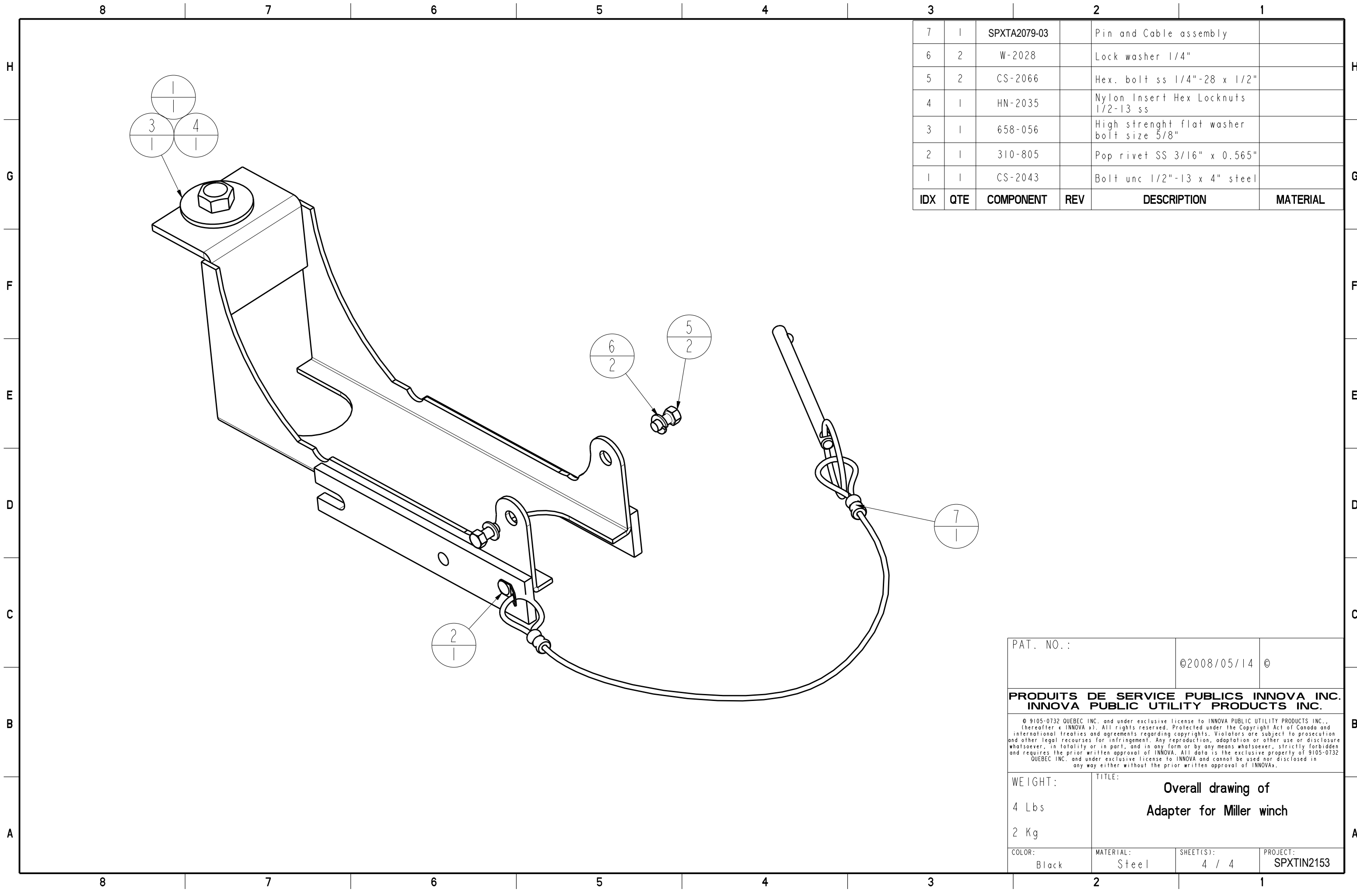
RESTRICTIONS

IMPORTANT :
 The mounting pin and hardware must always be in place at all times. Always use the manufacturers original pin and hardware. No substitutes. Winch adaptors are designed to function only with Innova public utility products INC. equipment.
 Periodic inspections of winch adaptors must be done to ensure personnel safety.
 All equipment and hardware must be inspected before re-using by qualified personnel when a fall has occurred.

Product number: SPXTIN2153



PAT. NO.:		©2008/05/14 ©	
PRODUCTS DE SERVICE PUBLICS INNOVA INC. INNOVA PUBLIC UTILITY PRODUCTS INC.			
<small> A BIRD-STU QUÉBEC INC. and under exclusive license by INNOVA PUBLIC UTILITY PRODUCTS INC. INNOVA INC. INNOVA et ses produits, brevets, droits de propriété intellectuelle et autres droits réservés. Toute réimpression, reproduction ou utilisation non autorisée sans la permission écrite de la société INNOVA INC. est formellement interdite. Toute utilisation non autorisée sera poursuivie devant les tribunaux et sera punie de dommages punitifs. Toute réimpression ou utilisation non autorisée sans la permission écrite de la société INNOVA INC. et sous réserve de licence INNOVA INC. sera poursuivie devant les tribunaux et sera punie de dommages punitifs. Toute réimpression ou utilisation non autorisée sans la permission écrite de la société INNOVA INC. sera poursuivie devant les tribunaux et sera punie de dommages punitifs. </small>			
WEIGHT:	TITLE		
4 Lbs	Overall drawing of		
2 Kg	Adapter for Miller winch		
COLOR:	MATERIAL:	SHEETS:	PROJECT:
Black	Steel	3 / 4	SPXTIN2153



7	1	SPXTA2079-03		Pin and Cable assembly	
6	2	W-2028		Lock washer 1/4"	
5	2	CS-2066		Hex. bolt ss 1/4"-28 x 1/2"	
4	1	HN-2035		Nylon Insert Hex Locknuts 1/2-13 ss	
3	1	658-056		High strenght flat washer bolt size 5/8"	
2	1	310-805		Pop rivet SS 3/16" x 0.565"	
1	1	CS-2043		Bolt unc 1/2"-13 x 4" steel	
IDX	QTE	COMPONENT	REV	DESCRIPTION	MATERIAL

PAT. NO.:		©2008/05/14 ©	
PRODUITS DE SERVICE PUBLICS INNOVA INC. INNOVA PUBLIC UTILITY PRODUCTS INC.			
<small>© 9105-0732 QUEBEC INC. and under exclusive license to INNOVA PUBLIC UTILITY PRODUCTS INC., (hereafter « INNOVA »). All rights reserved. Protected under the Copyright Act of Canada and international treaties and agreements regarding copyrights. Violators are subject to prosecution and other legal recourses for infringement. Any reproduction, adaptation or other use or disclosure whatsoever, in totality or in part, and in any form or by any means whatsoever, strictly forbidden and requires the prior written approval of INNOVA. All data is the exclusive property of 9105-0732 QUEBEC INC. and under exclusive license to INNOVA and cannot be used nor disclosed in any way either without the prior written approval of INNOVA.</small>			
WEIGHT:	TITLE:		
4 Lbs	Overall drawing of Adapter for Miller winch		
2 Kg			
COLOR:	MATERIAL:	SHEET(S):	PROJECT:
Black	Steel	4 / 4	SPXTIN2153