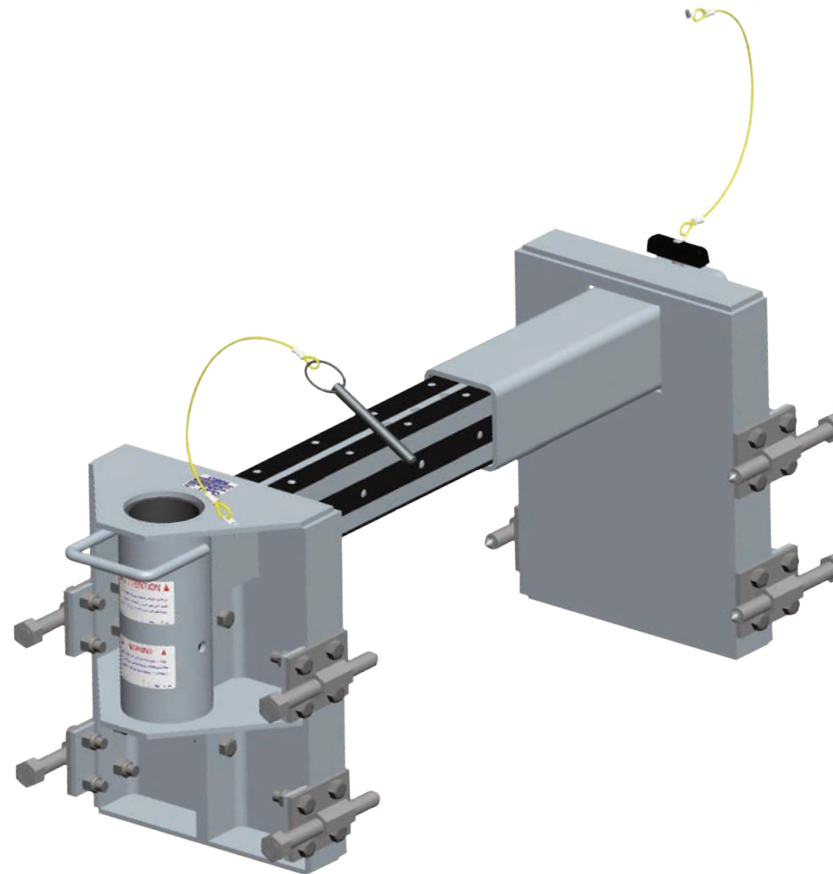


SPXTIN2168-01: Adjustable Barrel Adapter 12" to 24"



SpanSet Australia Ltd

150 Old Bathurst Road
Emu Plains
NSW 2750
Australia

Telephone

+61 2 4735 3955

Fax

+61 2 4735 3630

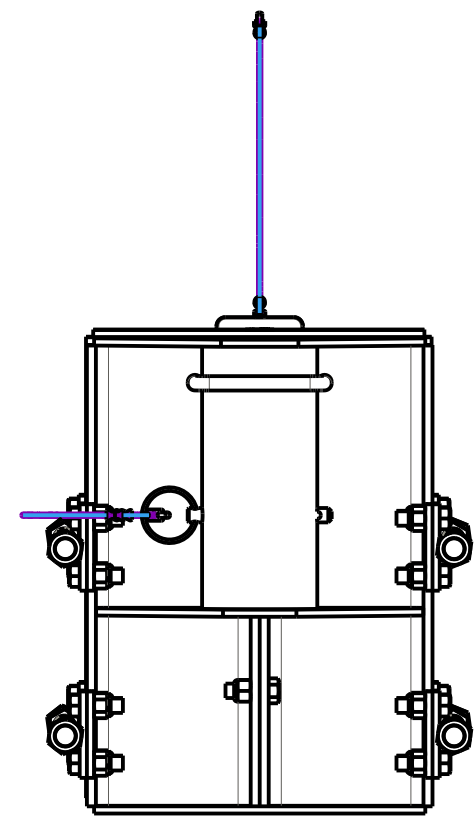
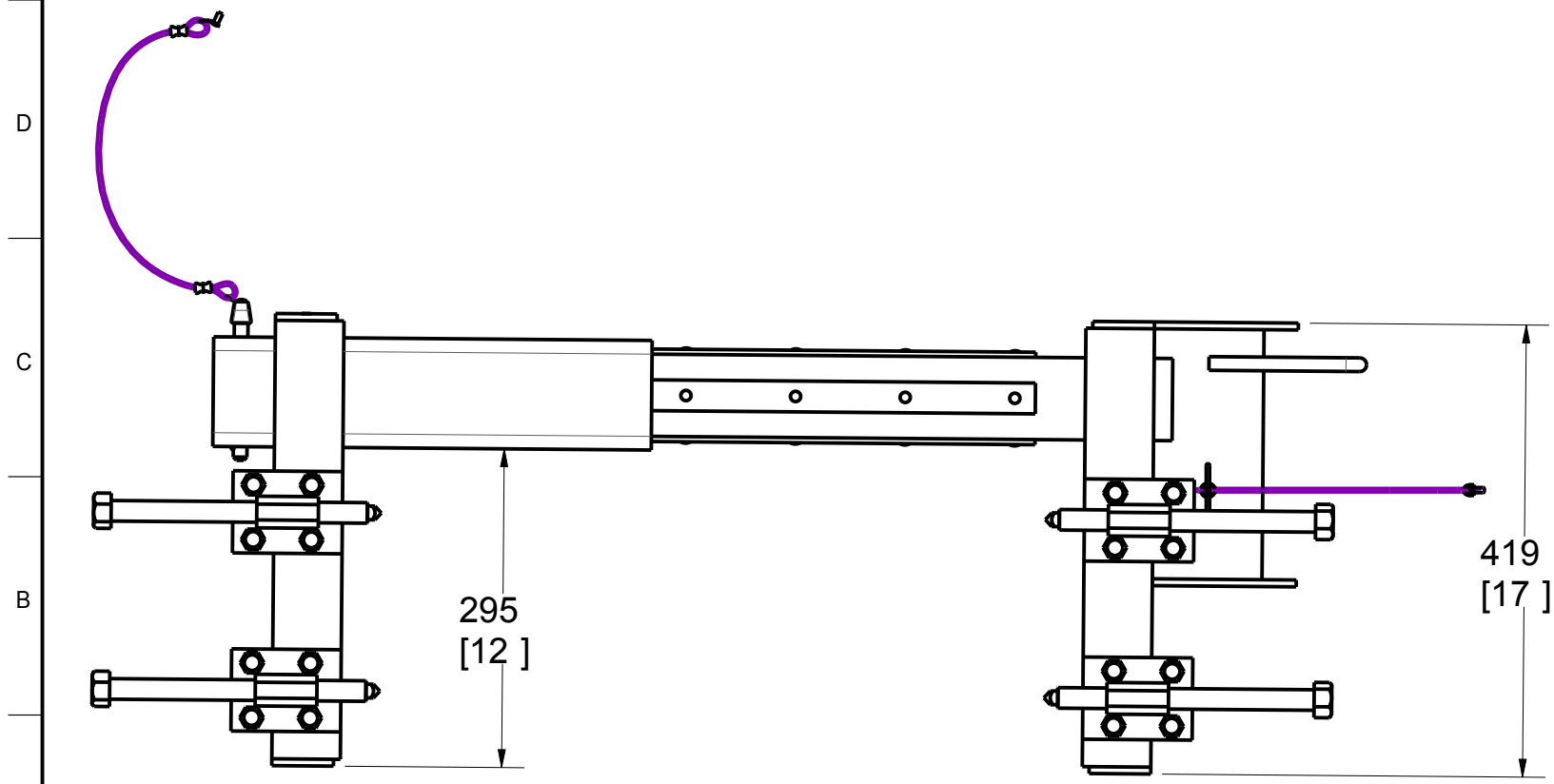
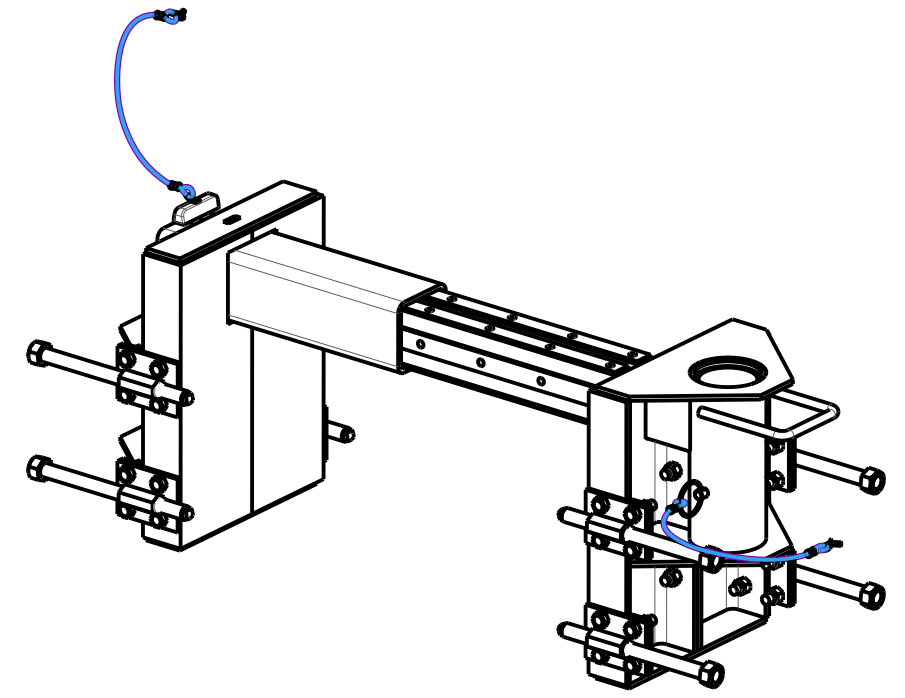
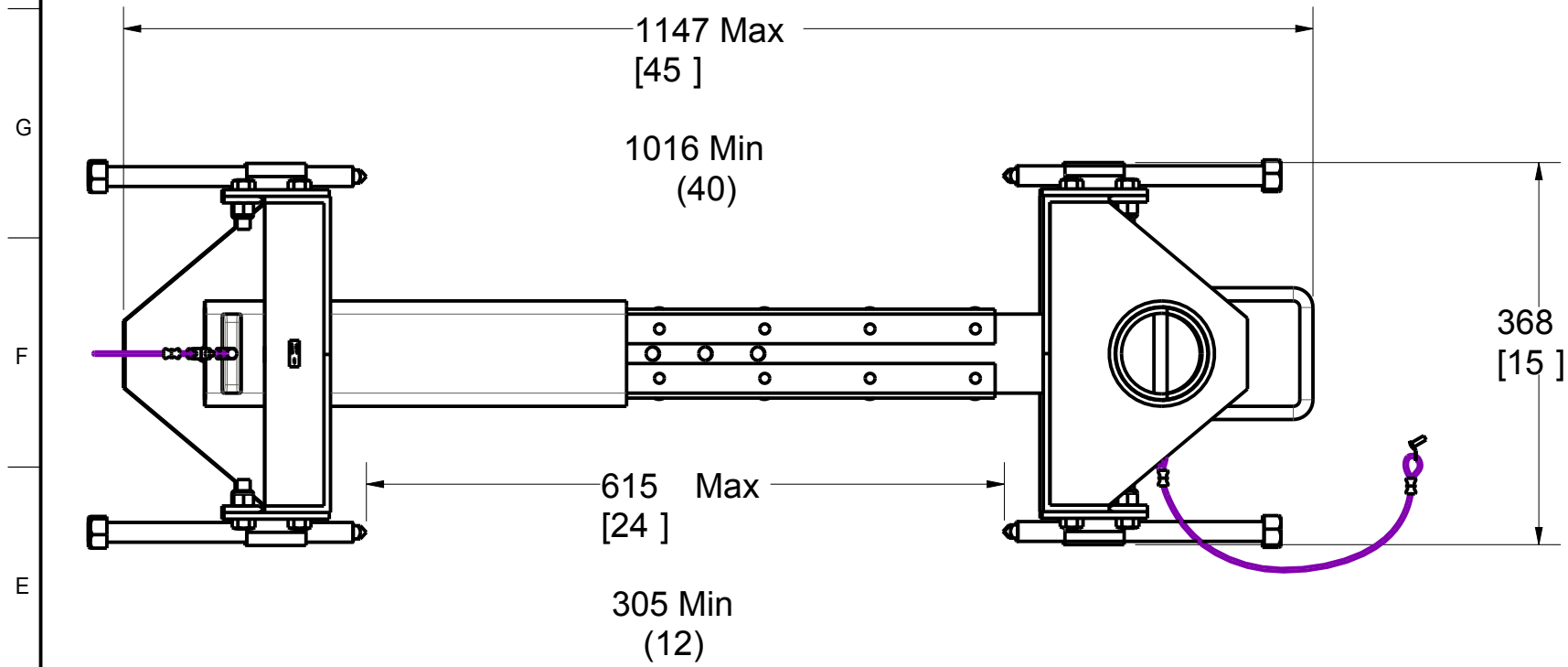
E-mail

sales@spanset.com.au

Internet

www.spanset.com.au

Product number: SPXTIN2168



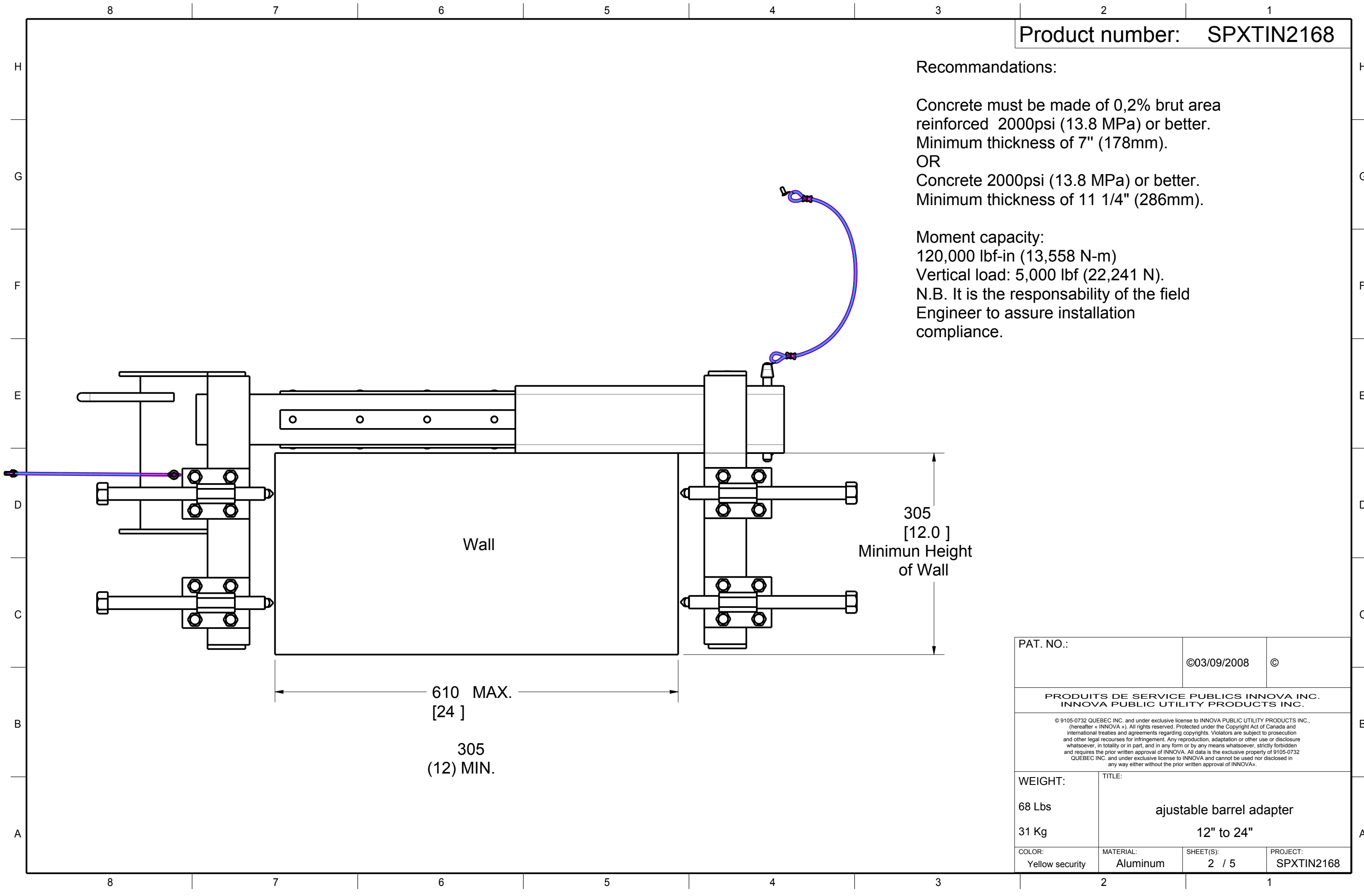
PAT. NO.:		©03/09/2008	©
PRODUITS DE SERVICE PUBLICS INNOVA INC. INNOVA PUBLIC UTILITY PRODUCTS INC.			
© 9105-0732 QUEBEC INC. and under exclusive license to INNOVA PUBLIC UTILITY PRODUCTS INC., (hereafter « INNOVA »). All rights reserved. Protected under the Copyright Act of Canada and international treaties and agreements regarding copyrights. Violators are subject to prosecution and other legal recourses for infringement. Any reproduction, adaptation or other use or disclosure whatsoever, in totality or in part, and in any form or by any means whatsoever, strictly forbidden and requires the prior written approval of INNOVA. All data is the exclusive property of 9105-0732 QUEBEC INC. and under exclusive license to INNOVA and cannot be used nor disclosed in any way either without the prior written approval of INNOVA.			
WEIGHT:	TITLE:		
68 Lbs	ajustable barrel adapter		
31 Kg	12" to 24"		
COLOR:	MATERIAL:	SHEET(S):	PROJECT:
Yellow security	Aluminum	1 / 5	SPXTIN2168

Recommandations:

Concrete must be made of 0,2% brut area reinforced 2000psi (13.8 MPa) or better. Minimum thickness of 7" (178mm).

OR
Concrete 2000psi (13.8 MPa) or better. Minimum thickness of 11 1/4" (286mm).

Moment capacity:
120,000 lbf-in (13,558 N-m)
Vertical load: 5,000 lbf (22,241 N).
N.B. It is the responsibility of the field Engineer to assure installation compliance.



PAT. NO.:		©03/09/2008	©
PRODUITS DE SERVICE PUBLICS INNOVA INC. INNOVA PUBLIC UTILITY PRODUCTS INC.			
© 9105-0732 QUEBEC INC. and under exclusive license to INNOVA PUBLIC UTILITY PRODUCTS INC., (hereafter « INNOVA »). All rights reserved. Protected under the Copyright Act of Canada and international treaties and agreements regarding copyrights. Violators are subject to prosecution and other legal recourses for infringement. Any reproduction, adaptation or other use or disclosure whatsoever, in totality or in part, and in any form or by any means whatsoever, strictly forbidden and requires the prior written approval of INNOVA. All data is the exclusive property of 9105-0732 QUEBEC INC. and under exclusive license to INNOVA and cannot be used nor disclosed in any way either without the prior written approval of INNOVA.			
WEIGHT:	TITLE:		
68 Lbs	ajustable barrel adapter		
31 Kg	12" to 24"		
COLOR:	MATERIAL:	SHEET(S):	PROJECT:
Yellow security	Aluminum	2 / 5	SPXTIN2168

SPECIFICATIONS

This product is man rated with a maximum working capacity of 360lbs (164kg). It is only to be used in conjunction with personal fall arrest equipment that limits the maximum arrest force (MAF).

Maximum Working Moment : 976 N-m (8640 lbf-in)
 Maximum Moment : 9762 N-m (86400 lbf-in)

STANDARDS

Meets the following standards:
 OSHA Personal fall arrest system - 1910.66 App C
 ANSI Safety requirements for personal fall arrest system, subsystems and components Z359.1 2007
 CAN/CSA Fall arresters, vertical lifelines, and rails Z259.2.1-98

MATERIAL AND CONSTRUCTION

Principal body : Aluminum 6061-T6
 Sleeve bearing : PVC pipe
 Hardware : Zinc plated Steel
 Screw plates : Zinc Plated Steel
 Sliding strips : UHMW
 Pin : Stainless Steel
 Lanyard : Nylon covered Steel Cable
 Welding certification : CSA W47,2M CSA W59 & 47.1, AWS D1.6

RESTRICTIONS

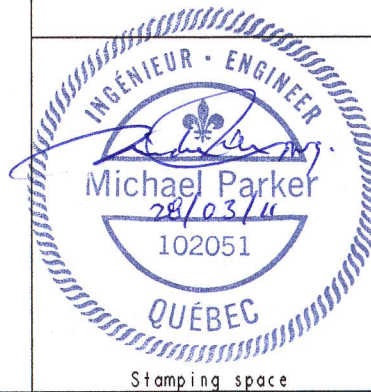
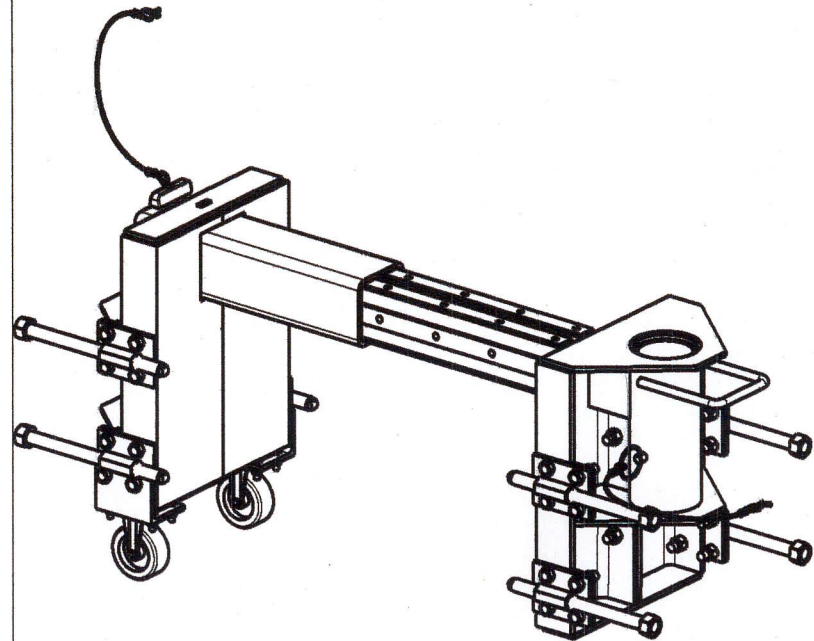
IMPORTANT :

The positioning pin must always be in place when manouversing personnel. Adaptors are designed to function only with Innova public utility products INC. equipment.

Equipment must be inspected before re-using by qualified personnel when a fall has accured.

This product is not intended to be used sideways. It is not considered as a permanent structure and shall be used with care.

Product number : SPXTIN2168



PAT. NO. :		©03/09/2008 ©	
PRODUITS DE SERVICE PUBLICS INNOVA INC. INNOVA PUBLIC UTILITY PRODUCTS INC.			
<small>© 9105-0332 QUEBEC INC. and under exclusive license to INNOVA PUBLIC UTILITY PRODUCTS INC. (hereafter "INNOVA"). All rights reserved. Protected under the Copyright Act of Canada and international treaties and agreements regarding copyrights. Producers are subject to prosecution and other legal recourse for infringement. Any reproduction, adaptation or other use or disclosure whatsoever, in whole or in part, and in any form or by any means whatsoever, strictly forbidden and requires the prior written approval of INNOVA. All data is the exclusive property of 9105-0332 QUEBEC INC. and under exclusive license to INNOVA and cannot be used nor disclosed in any way either without the prior written approval of INNOVA.</small>			
WEIGHT:		TITLE:	
68 Lbs		adjustable barrel adapter	
31 Kg		12" to 24"	
COLOR:	MATERIAL:	SHEET(S):	PROJECT:
Yellow security	Aluminum	3 / 5	SPXTIN2168

Stamping space

8

7

6

5

4

3

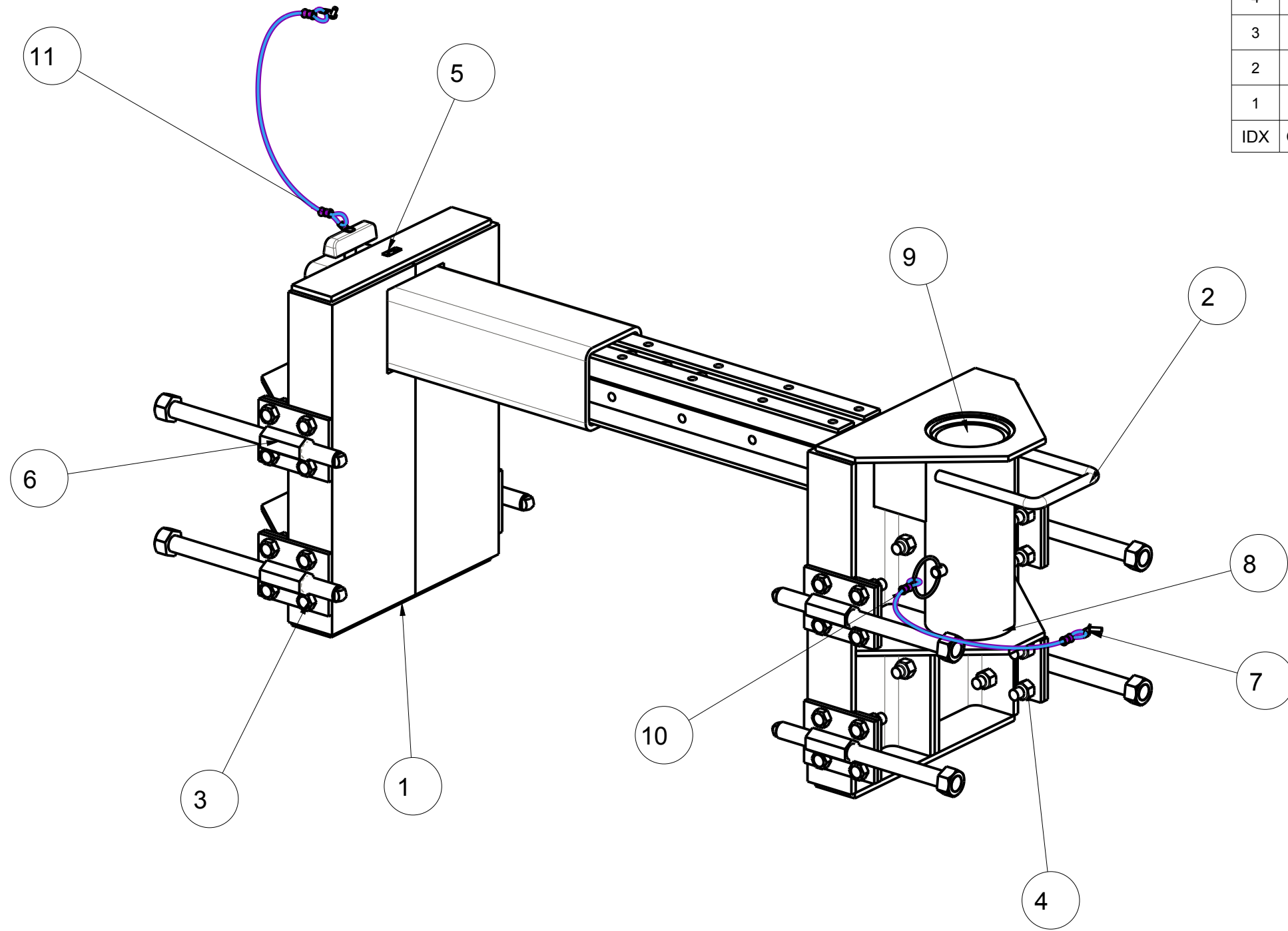
2

1

Product number: SPXTIN2168

11	1	SPXTA2002-09		Ass. Câble de Goupille	
10	1	SPXTA2005-04		Ass. Cable de Goupille	
9	1	P2006-004		Chemise de cylindre	PVC Ced. 40
8	1	P2118-021		Plaque de fond	Delerin noir
7	1	310-805		Rivet pop inox 3/16" x 0.565"	
6	8	SPXTA2008-12	02	Assemblage de plaque de vis de serrage horizontal	
5	1	S2001-007	01	Étiquette Temporaire	
4	32	HN-183		Écrou garniture nylon 1/2-13	
3	32	HC-75		Boulon acier 1/2-13 1 1/2"	
2	1	SPXTA2168-02	01	Assemblage Avant	
1	1	SPXTA2168-03		Assemblage Arriere	
IDX	QTE	COMPOSANTE	REV	DESCRIPTION	MATERIAU

H
G
F
E
D
C
B
A



PAT. NO.:		©03/09/2008	©
PRODUITS DE SERVICE PUBLICS INNOVA INC. INNOVA PUBLIC UTILITY PRODUCTS INC.			
© 9105-0732 QUEBEC INC. and under exclusive license to INNOVA PUBLIC UTILITY PRODUCTS INC., (hereafter « INNOVA »). All rights reserved. Protected under the Copyright Act of Canada and international treaties and agreements regarding copyrights. Violators are subject to prosecution and other legal recourses for infringement. Any reproduction, adaptation or other use or disclosure whatsoever, in totality or in part, and in any form or by any means whatsoever, strictly forbidden and requires the prior written approval of INNOVA. All data is the exclusive property of 9105-0732 QUEBEC INC. and under exclusive license to INNOVA and cannot be used nor disclosed in any way either without the prior written approval of INNOVA.			
WEIGHT:	TITLE:		
68 Lbs	ajustable barrel adapter		
31 Kg	12" to 24"		
COLOR:	MATERIAL:	SHEET(S):	PROJECT:
Yellow security	Aluminum	4 / 5	SPXTIN2168

8

7

6

5

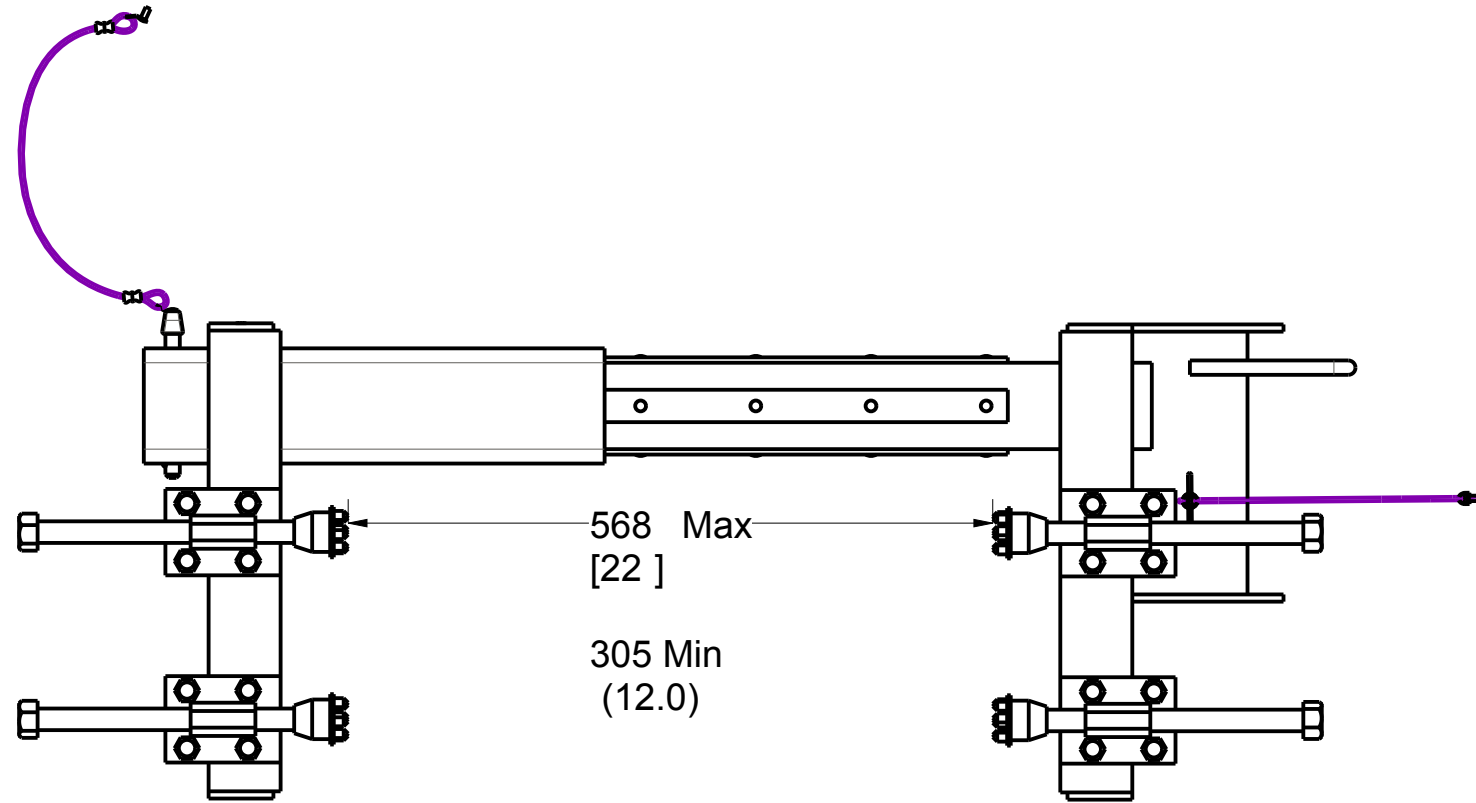
4

3

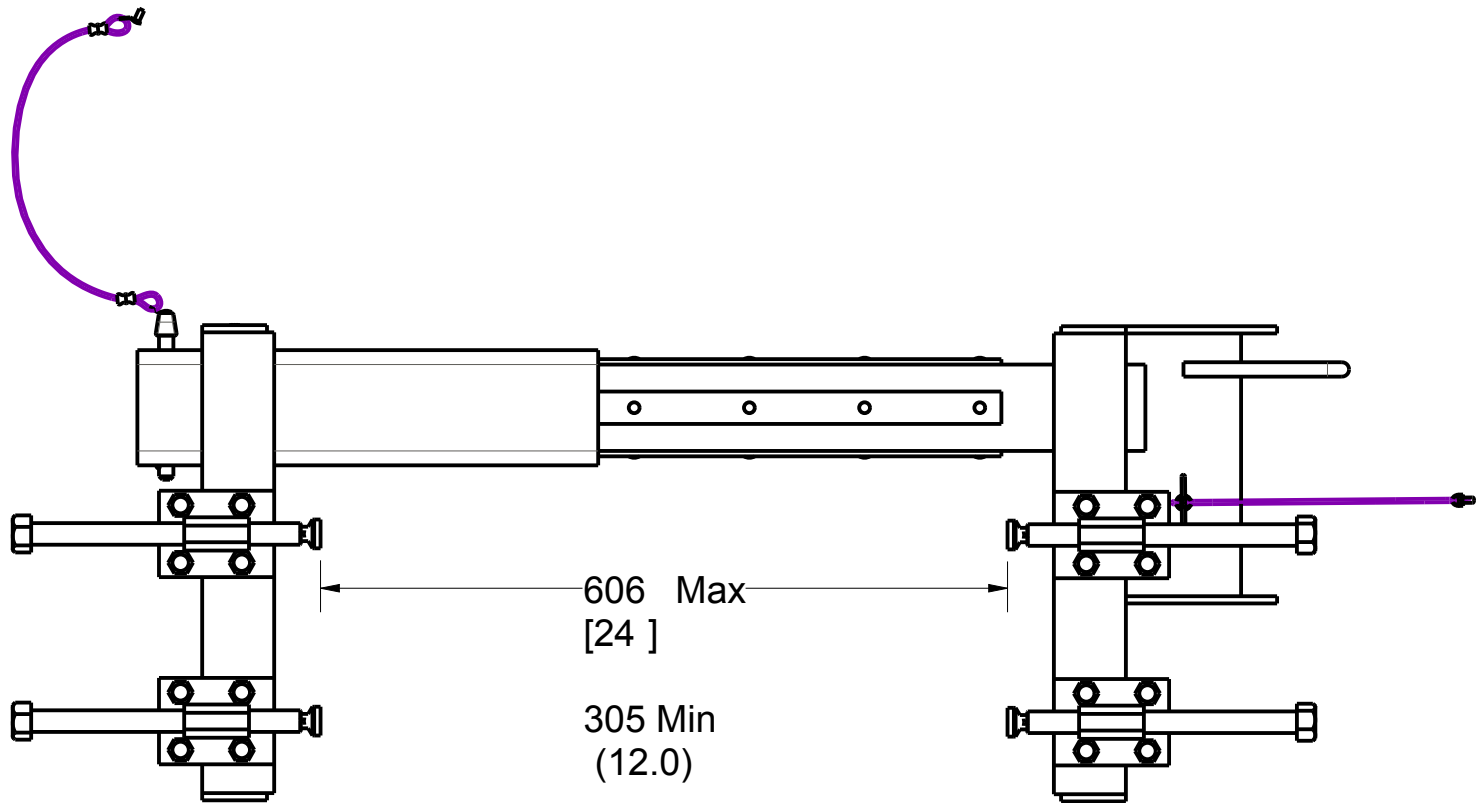
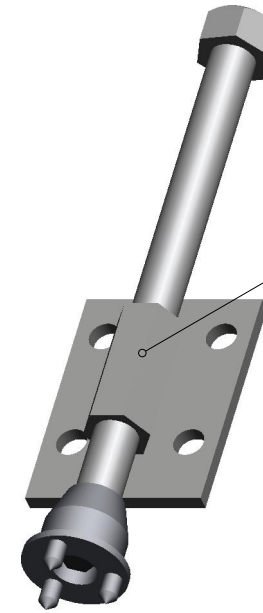
2

1

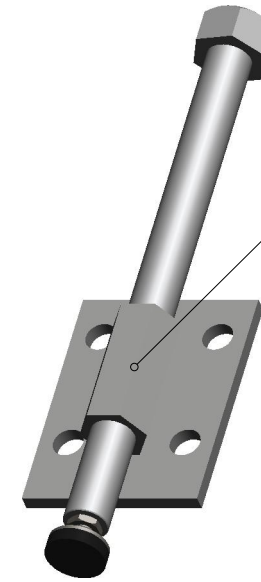
Product number: SPXTIN2168



SPXTA2008-04 Accessory



SPXTA2008-13 Accessory



PAT. NO.:		©03/09/2008	©
PRODUITS DE SERVICE PUBLICS INNOVA INC. INNOVA PUBLIC UTILITY PRODUCTS INC.			
<small>© 9105-0732 QUEBEC INC. and under exclusive license to INNOVA PUBLIC UTILITY PRODUCTS INC., (hereafter « INNOVA »). All rights reserved. Protected under the Copyright Act of Canada and international treaties and agreements regarding copyrights. Violators are subject to prosecution and other legal recourses for infringement. Any reproduction, adaptation or other use or disclosure whatsoever, in totality or in part, and in any form or by any means whatsoever, strictly forbidden and requires the prior written approval of INNOVA. All data is the exclusive property of 9105-0732 QUEBEC INC. and under exclusive license to INNOVA and cannot be used nor disclosed in any way either without the prior written approval of INNOVA.</small>			
WEIGHT:	TITLE:		
68 Lbs	ajustable barrel adapter 12" to 24"		
31 Kg			
COLOR:	MATERIAL:	SHEET(S):	PROJECT:
Yellow security	Aluminum	5 / 5	SPXTIN2168