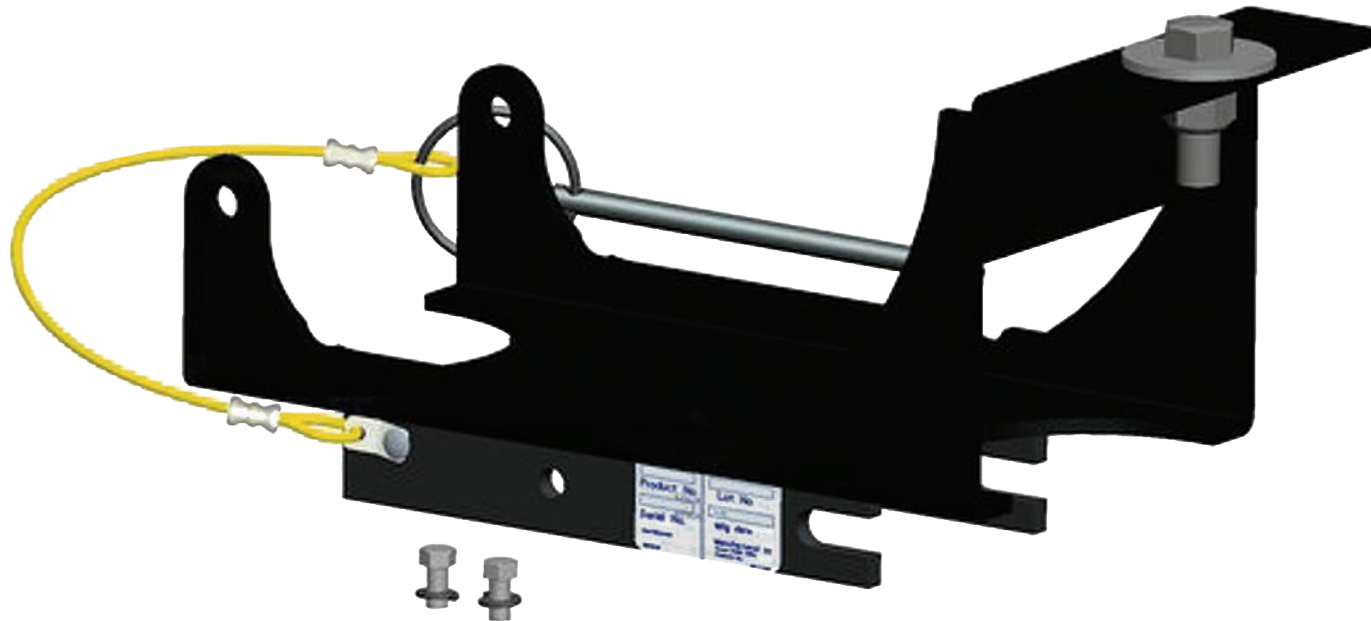


## SPXTIN2177-01: Support for Winch Miller Might Evac MR-100



### SpanSet Australia Ltd

13 Pullman Place  
Emu Plains  
NSW 2750  
Australia

### Telephone

+61 2 4735 3955

### Fax

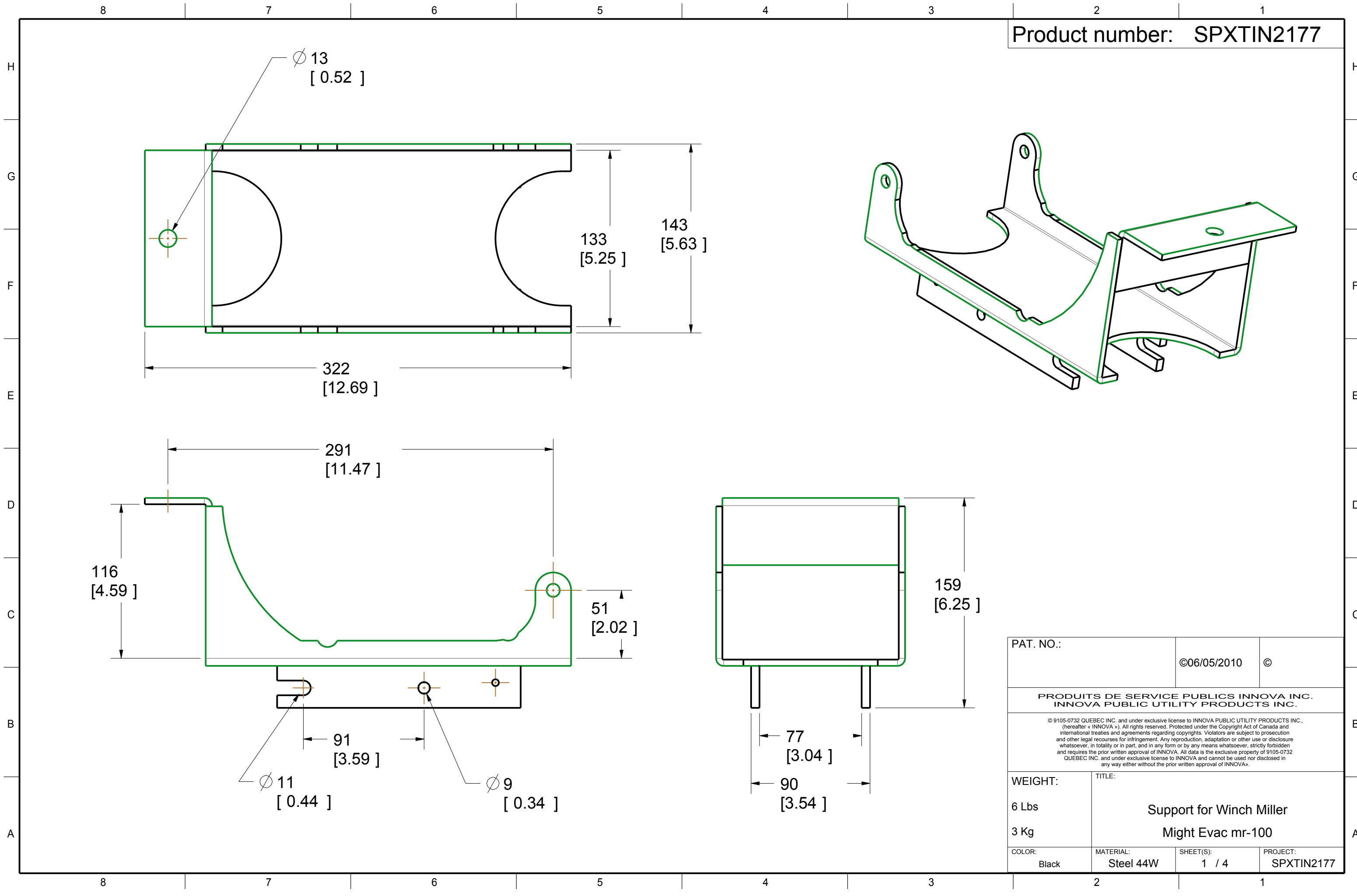
+61 2 4735 3630

### E-mail

[sales@spanset.com.au](mailto:sales@spanset.com.au)

### Internet

[www.spanset.com.au](http://www.spanset.com.au)



PAT. NO.:		©06/05/2010 ©	
<b>PRODUITS DE SERVICE PUBLICS INNOVA INC.</b> <b>INNOVA PUBLIC UTILITY PRODUCTS INC.</b>			
<small>© 9105-0732 QUEBEC INC. and under exclusive license to INNOVA PUBLIC UTILITY PRODUCTS INC., (hereafter « INNOVA »). All rights reserved. Protected under the Copyright Act of Canada and international treaties and agreements regarding copyrights. Violators are subject to prosecution and other legal recourses for infringement. Any reproduction, adaptation or other use or disclosure whatsoever, in totality or in part, and in any form or by any means whatsoever, strictly forbidden and requires the prior written approval of INNOVA. All data is the exclusive property of 9105-0732 QUEBEC INC. and under exclusive license to INNOVA and cannot be used nor disclosed in any way either without the prior written approval of INNOVA.</small>			
WEIGHT:	TITLE:		
6 Lbs	Support for Winch Miller		
3 Kg	Might Evac mr-100		
COLOR:	MATERIAL:	SHEET(S):	PROJECT:
Black	Steel 44W	1 / 4	SPXTIN2177

8

7

6

5

4

3

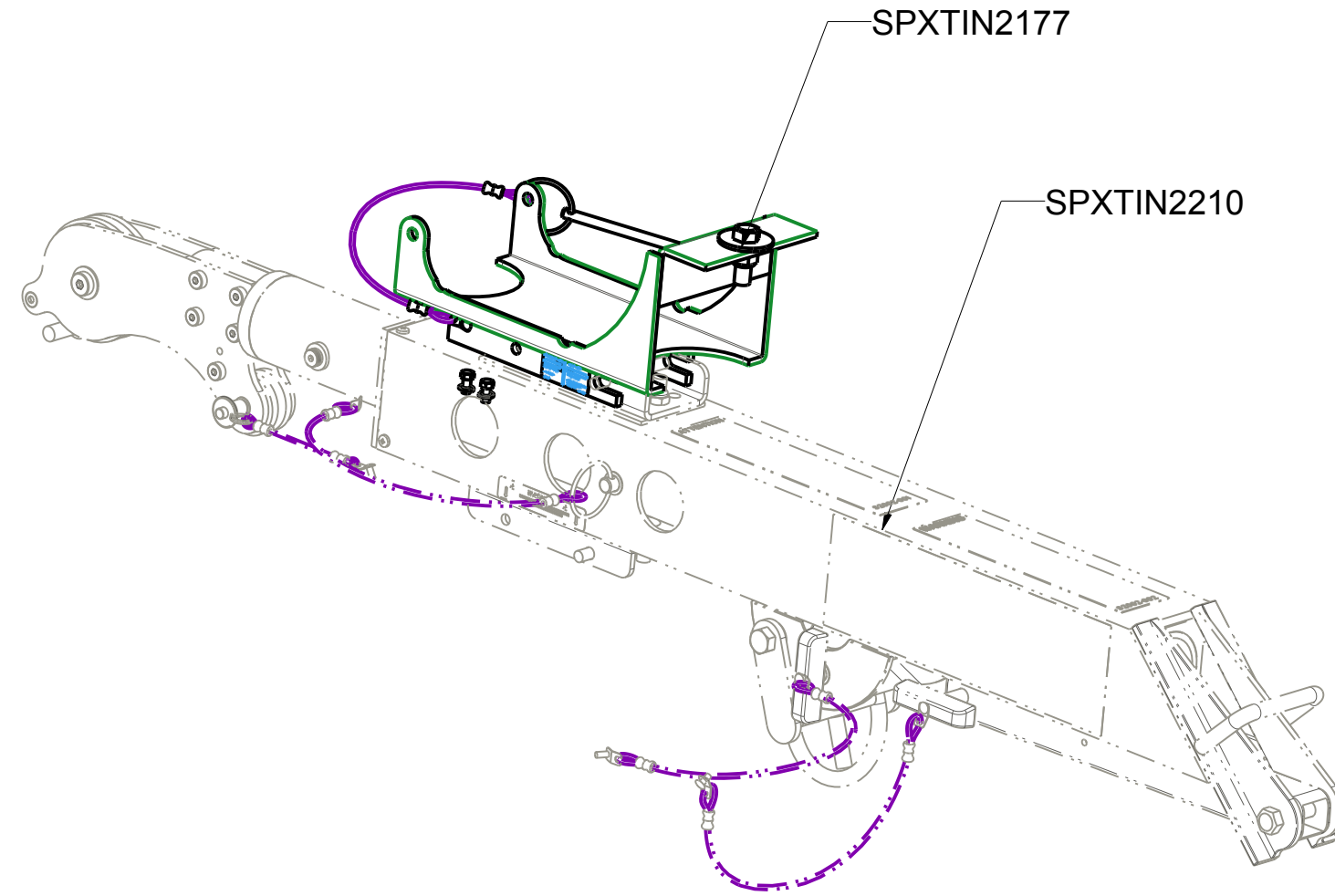
2

1

Product number: SPXTIN2177

H  
G  
F  
E  
D  
C  
B  
A

H  
G  
F  
E  
D  
C  
B  
A



PAT. NO.:		©06/05/2010 ©	
<b>PRODUITS DE SERVICE PUBLICS INNOVA INC.</b> <b>INNOVA PUBLIC UTILITY PRODUCTS INC.</b>			
<small>© 9105-0732 QUEBEC INC. and under exclusive license to INNOVA PUBLIC UTILITY PRODUCTS INC., (hereafter « INNOVA »). All rights reserved. Protected under the Copyright Act of Canada and international treaties and agreements regarding copyrights. Violators are subject to prosecution and other legal recourses for infringement. Any reproduction, adaptation or other use or disclosure whatsoever, in totality or in part, and in any form or by any means whatsoever, strictly forbidden and requires the prior written approval of INNOVA. All data is the exclusive property of 9105-0732 QUEBEC INC. and under exclusive license to INNOVA and cannot be used nor disclosed in any way either without the prior written approval of INNOVA.</small>			
WEIGHT:	TITLE:		
6 Lbs	<b>Support for Winch Miller</b> <b>Might Evac mr-100</b>		
3 Kg			
COLOR:	MATERIAL:	SHEET(S):	PROJECT:
Black	Steel 44W	2 / 4	SPXTIN2177

8

7

6

5

4

3

2

1

8 7 6 5 4 3 2 1

SPECIFICATIONS

H This product is man rated with a maximum working capacity of 360lbs (164kg). It is only to be used in conjunction with personal fall arrest equipment that limits the maximum arrerst force (MAF).

Maximum Working Load (user + equipment) : 164 kg (360 lbs)  
Maximum Design Load : 1640 kg (3600 lbs)

G

STANDARDS

F Meets the following standards:  
OSHA Personal fall arrest system - 1910.66 App C  
ANSI Safety requirements for personal fall arrest system, subsystems and components Z359.1 ( R1999 )  
CAN/CSA Fall arresters, vertical lifelines, and rails Z259.2.1-98

E

MATERIAL AND CONSTRUCTION

D Body and supports : Steel 44W  
Hardware :Gr.5 Zinc plated Steel  
Pin : Zinc plated Steel  
Lanyard : Nylon covered Steel Cable  
Finish : Black powder paint with metal protection base.  
Welding Certification : CSA W59 & W47.1, AWS DI.6

C

RESTRICTIONS

Winch adaptors are designed to function only with Innova public utility products INC. equipment.

B

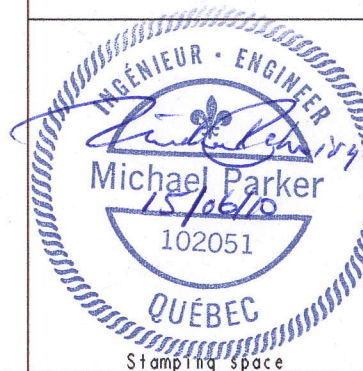
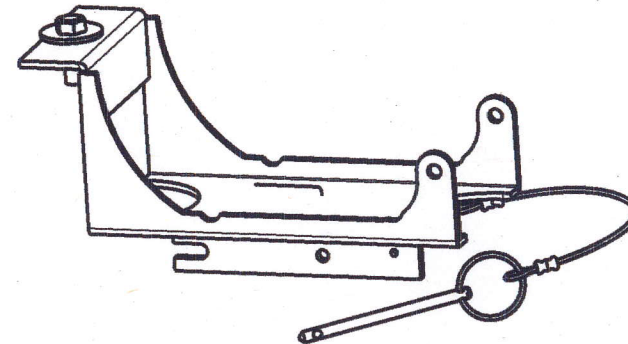
IMPORTANT :

The mounting pin and hardware must always be in place at all times. Always use the manufacturers original pin and hardware. No substitutes.

Periodic inspections of winch adaptors must be done to ensure personnel safety.

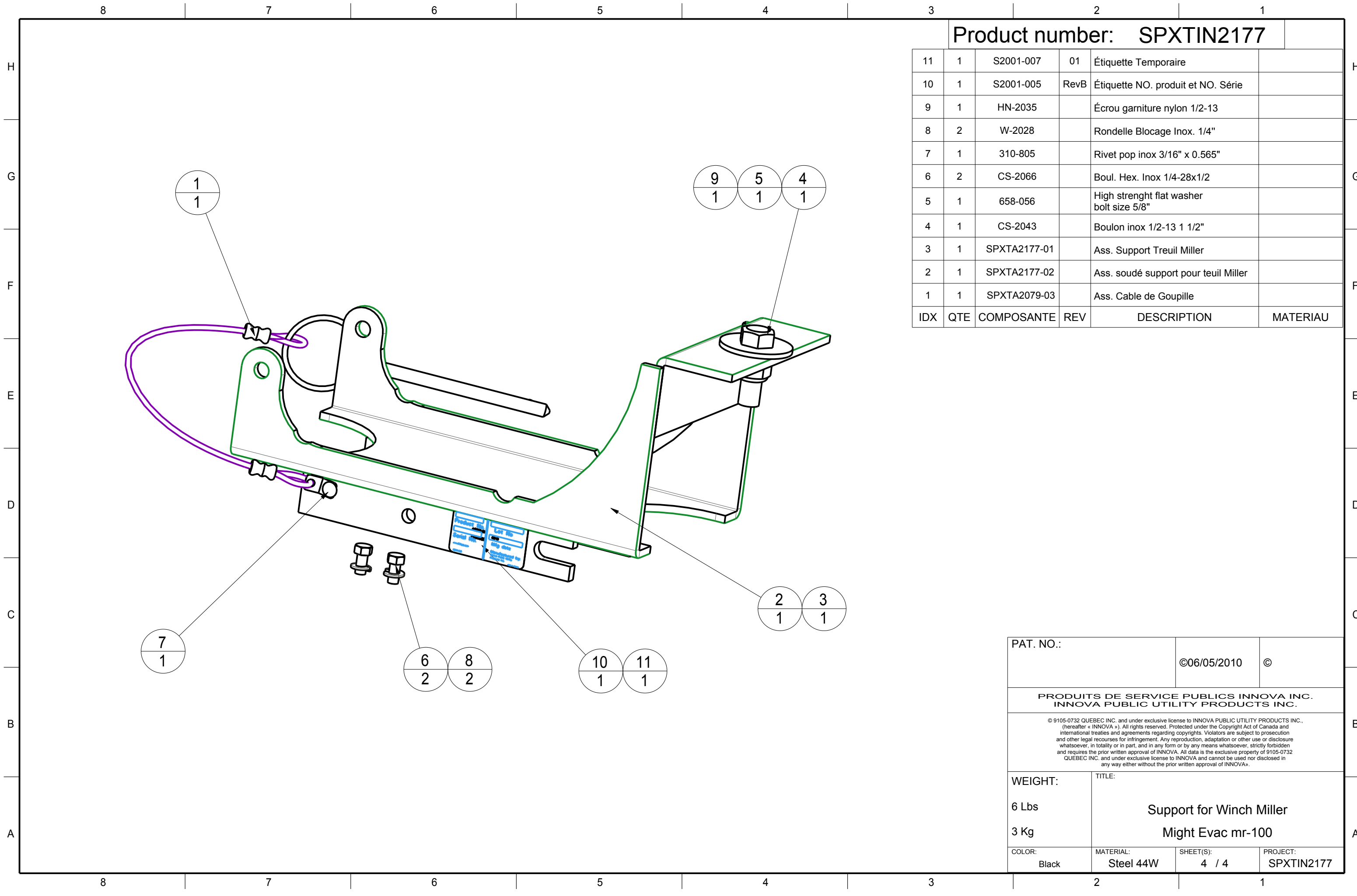
A All equipment and hardware must be inspected before re-using by qualified personnel when a fall has occurred.

Product number : SPXTIN2177



PAT. NO. :		006/05/2010 ©	
PRODUITS DE SERVICE PUBLICS INNOVA INC. INNOVA PUBLIC UTILITY PRODUCTS INC.			
© 9185-0732 QUEBEC INC. and under exclusive license to INNOVA PUBLIC UTILITY PRODUCTS INC., hereafter « INNOVA ». All rights reserved. Protected under the Copyright Act of Canada and international treaties and agreements regarding copyrights. Violators are subject to prosecution and other legal recourse for infringement. Any reproduction, adaptation or other use or disclosure whatsoever, in totality or in part, and in any form or by any means whatsoever, strictly forbidden and requires the prior written approval of INNOVA. All data is the exclusive property of 9185-0732 QUEBEC INC. and under exclusive license to INNOVA and cannot be used nor disclosed in any way other without the prior written approval of INNOVA.			
WEIGHT:		TITLE:	
6 Lbs		Support for Winch Miller	
3 Kg		Might Evac nr-100	
COLOR:	MATERIAL:	SHEET(S):	PROJECT:
Black	Steel 44W	3 / 4	SPXTIN2177

8 7 6 5 4 3 2 1



Product number: **SPXTIN2177**

IDX	QTE	COMPOSANTE	REV	DESCRIPTION	MATERIAU
11	1	S2001-007	01	Étiquette Temporaire	
10	1	S2001-005	RevB	Étiquette NO. produit et NO. Série	
9	1	HN-2035		Écrou garniture nylon 1/2-13	
8	2	W-2028		Rondelle Blocage Inox. 1/4"	
7	1	310-805		Rivet pop inox 3/16" x 0.565"	
6	2	CS-2066		Boul. Hex. Inox 1/4-28x1/2	
5	1	658-056		High strenght flat washer bolt size 5/8"	
4	1	CS-2043		Boulon inox 1/2-13 1 1/2"	
3	1	SPXTA2177-01		Ass. Support Treuil Miller	
2	1	SPXTA2177-02		Ass. soudé support pour teuil Miller	
1	1	SPXTA2079-03		Ass. Cable de Goupille	

PAT. NO.:		©06/05/2010	©
<b>PRODUITS DE SERVICE PUBLICS INNOVA INC.</b> <b>INNOVA PUBLIC UTILITY PRODUCTS INC.</b>			
<small>© 9105-0732 QUEBEC INC. and under exclusive license to INNOVA PUBLIC UTILITY PRODUCTS INC., (hereafter « INNOVA »). All rights reserved. Protected under the Copyright Act of Canada and international treaties and agreements regarding copyrights. Violators are subject to prosecution and other legal recourses for infringement. Any reproduction, adaptation or other use or disclosure whatsoever, in totality or in part, and in any form or by any means whatsoever, strictly forbidden and requires the prior written approval of INNOVA. All data is the exclusive property of 9105-0732 QUEBEC INC. and under exclusive license to INNOVA and cannot be used nor disclosed in any way either without the prior written approval of INNOVA.</small>			
WEIGHT:	TITLE:		
6 Lbs	Support for Winch Miller		
3 Kg	Might Evac mr-100		
COLOR:	MATERIAL:	SHEET(S):	PROJECT:
Black	Steel 44W	4 / 4	SPXTIN2177