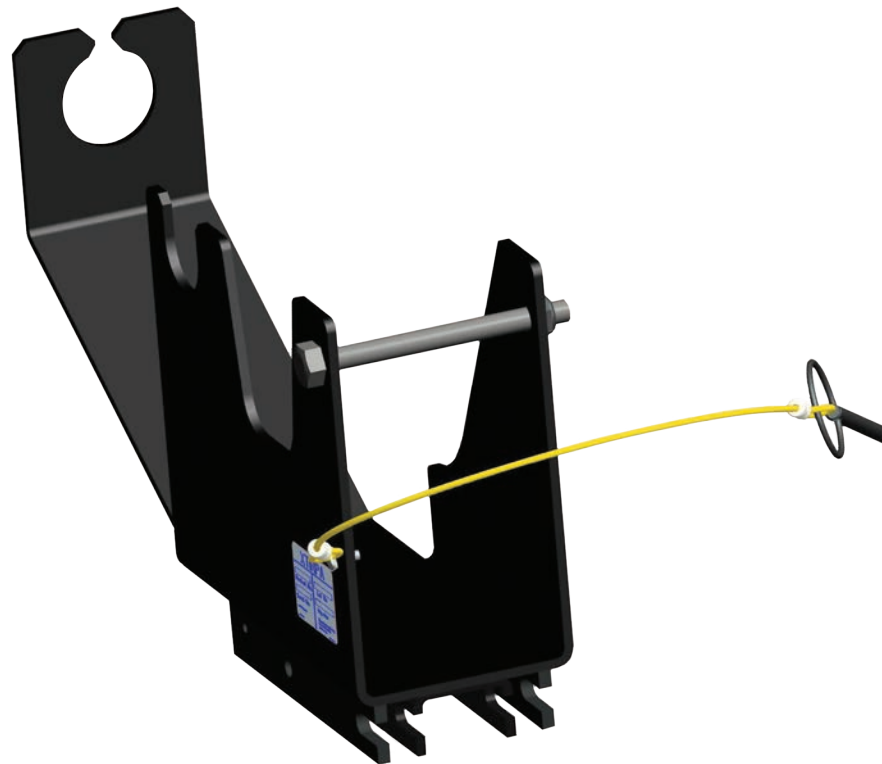


SPXTIN2178-01: Support to Winch Safewaze



SpanSet Australia Ltd

13 Pullman Place
Emu Plains
NSW 2750
Australia

Telephone

+61 2 4735 3955

Fax

+61 2 4735 3630

E-mail

sales@spanset.com.au

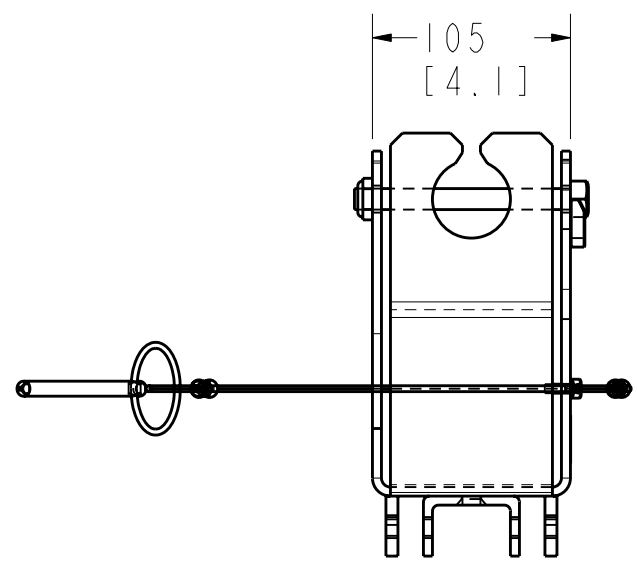
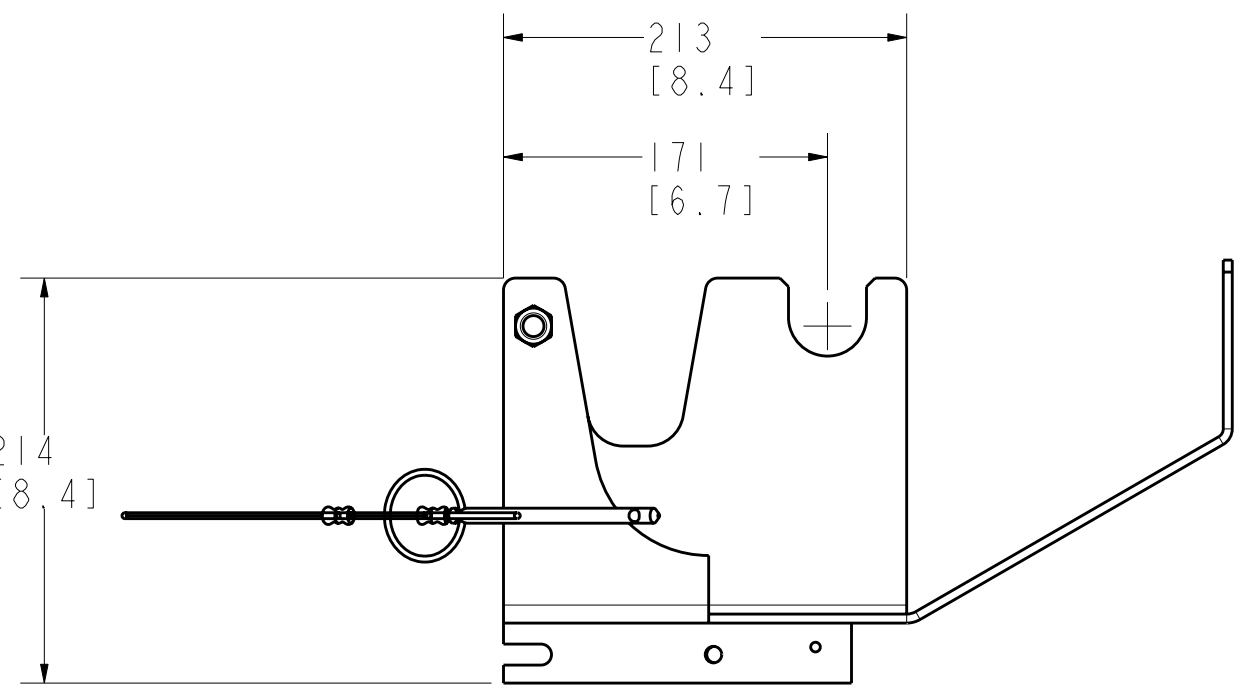
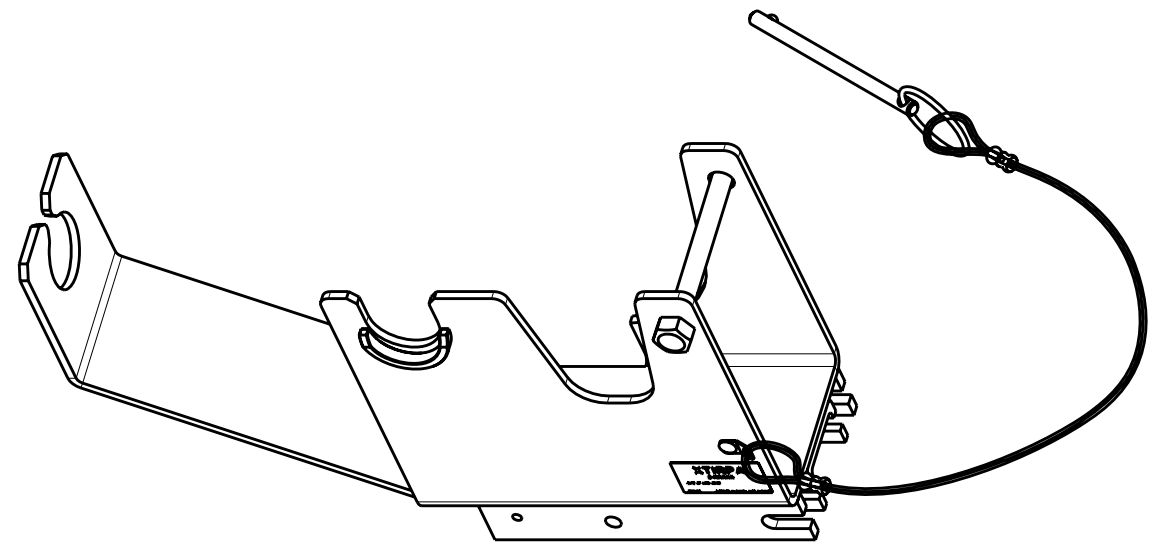
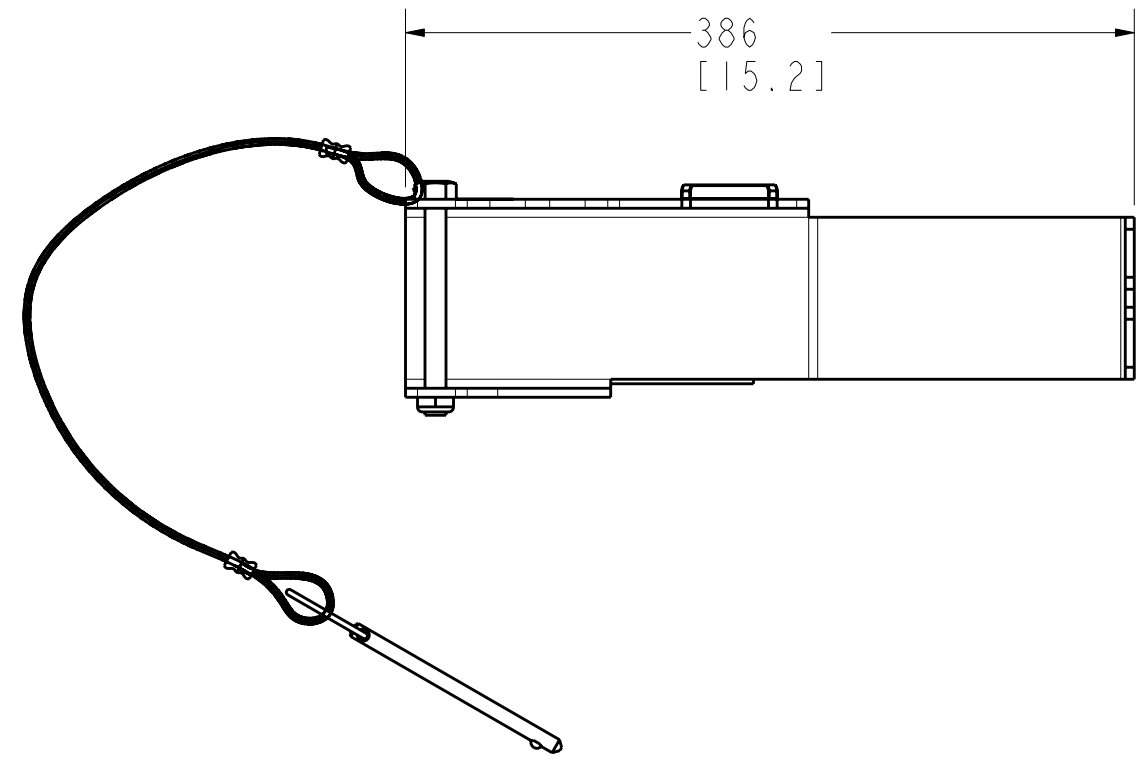
Internet

www.spanset.com.au

8 7 6 5 4 3 2 1

H
G
F
E
D
C
B
A

H
G
F
E
D
C
B
A



214
[8.4]

PAT. NO. :		©	©
PRODUITS DE SERVICE PUBLICS INNOVA INC. INNOVA PUBLIC UTILITY PRODUCTS INC.			
<small>© 9105-0732 QUEBEC INC. and under exclusive license to INNOVA PUBLIC UTILITY PRODUCTS INC., (hereafter « INNOVA »). All rights reserved. Protected under the Copyright Act of Canada and international treaties and agreements regarding copyrights. Violators are subject to prosecution and other legal recourses for infringement. Any reproduction, adaptation or other use or disclosure whatsoever, in totality or in part, and in any form or by any means whatsoever, strictly forbidden and requires the prior written approval of INNOVA. All data is the exclusive property of 9105-0732 QUEBEC INC. and under exclusive license to INNOVA and cannot be used nor disclosed in any way either without the prior written approval of INNOVA.</small>			
WEIGHT:	TITLE:		
0.000 Lbs	Support for Winch SAFEWAZE 3 IN 1 250G-75		
0.000 Kg			
COLOR:	MATERIAL:	SHEET(S):	PROJECT:
		1 / 4	SPXTIN2178

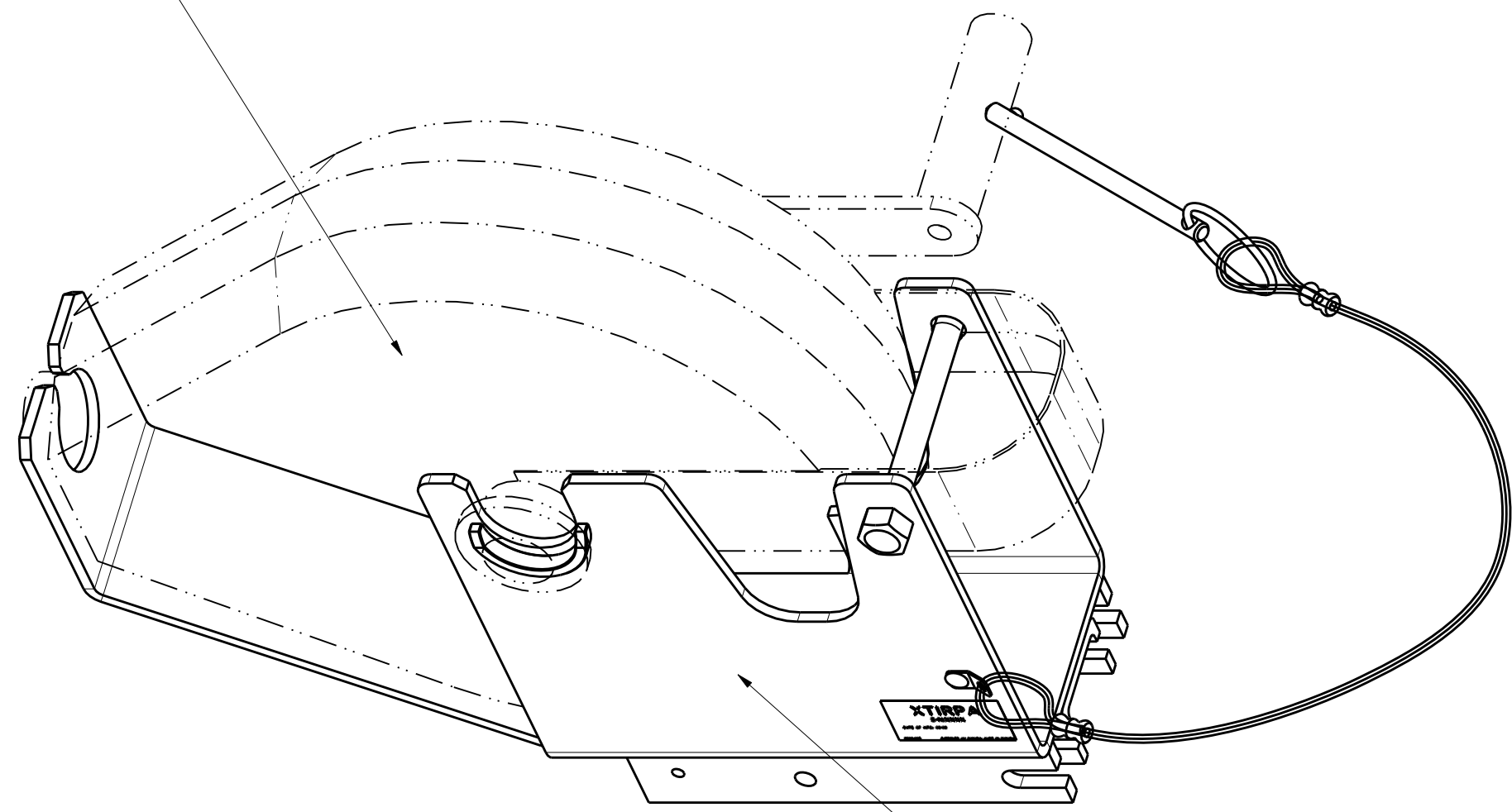
8 7 6 5 4 3 2 1

8 7 6 5 4 3 2 1

H
G
F
E
D
C
B
A

H
G
F
E
D
C
B
A

WINCH



SPXTIN2178

PAT. NO. :		©	©
PRODUITS DE SERVICE PUBLICS INNOVA INC. INNOVA PUBLIC UTILITY PRODUCTS INC.			
<small>© 9105-0732 QUEBEC INC. and under exclusive license to INNOVA PUBLIC UTILITY PRODUCTS INC., (hereafter « INNOVA »). All rights reserved. Protected under the Copyright Act of Canada and international treaties and agreements regarding copyrights. Violators are subject to prosecution and other legal recourses for infringement. Any reproduction, adaptation or other use or disclosure whatsoever, in totality or in part, and in any form or by any means whatsoever, strictly forbidden and requires the prior written approval of INNOVA. All data is the exclusive property of 9105-0732 QUEBEC INC. and under exclusive license to INNOVA and cannot be used nor disclosed in any way either without the prior written approval of INNOVA.</small>			
WEIGHT :	TITLE :		
0.000 Lbs	Support fo Winch SAFEWAZE 3 IN 1 250G-75		
0.000 Kg			
COLOR :	MATERIAL :	SHEET(S) :	PROJECT :
		2 / 4	SPXTIN2178

8 7 6 5 4 3 2 1

8 7 6 5 4 3 2 1
SPECIFICATIONS

H This product is man rated with a maximum working capacity of 360lbs (164kg). It is only to be used in conjunction with personal fall arrest equipment that limits the maximum arrest force (MAF).

G Maximum Working Load (user + equipment) : 164 kg (360 lbs)
 Maximum Proof Load : 1640 kg (3600 lbs)

STANDARDS

F Meets the following standards:

OSHA Personal fall arrest system - 1910.66 App C
 ANSI Safety requirements for personal fall arrest system, subsystems and components Z359.1

CAN/CSA Fall arresters, vertical lifelines, and rails Z259.2.1-98

MATERIAL AND CONSTRUCTION

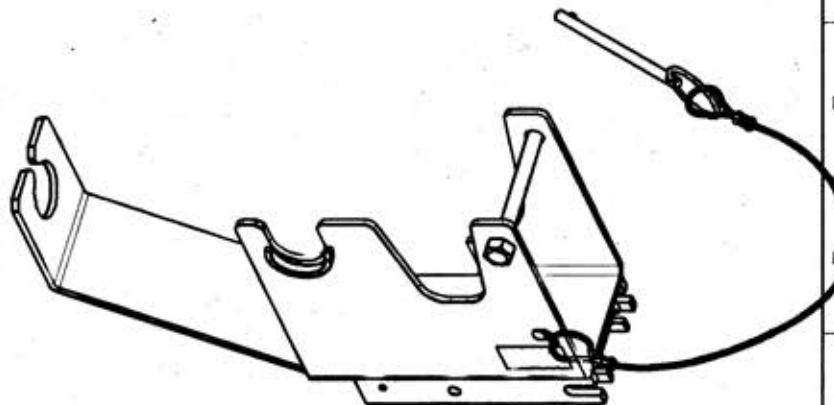
D Body and supports : Steel 44W
 Hardware : Gr.5 Zinc plated Steel
 Pin : Zinc plated Steel
 Lanyard : Nylon covered Steel Cable
 Finish : Black powder paint with metal protection base.
 Welding Certification : CSA W59 & W47.1,
 AWS D1.6

RESTRICTIONS

IMPORTANT :

B The mounting pin and hardware must always be in place at all times. Always use the manufacturers original pin and hardware. No substitutes. Winch adaptors are designed to function only with Innova public utility products INC. equipment. Periodic inspections of winch adaptors must be done to ensure personnel safety. All equipment and hardware must be inspected before re-using by qualified personnel when a fall has occurred.

Product number : SPXTIN2178



PAT. NO. : 0 0

PRODUITS DE SERVICE PUBLICS INNOVA INC.
 INNOVA PUBLIC UTILITY PRODUCTS INC.

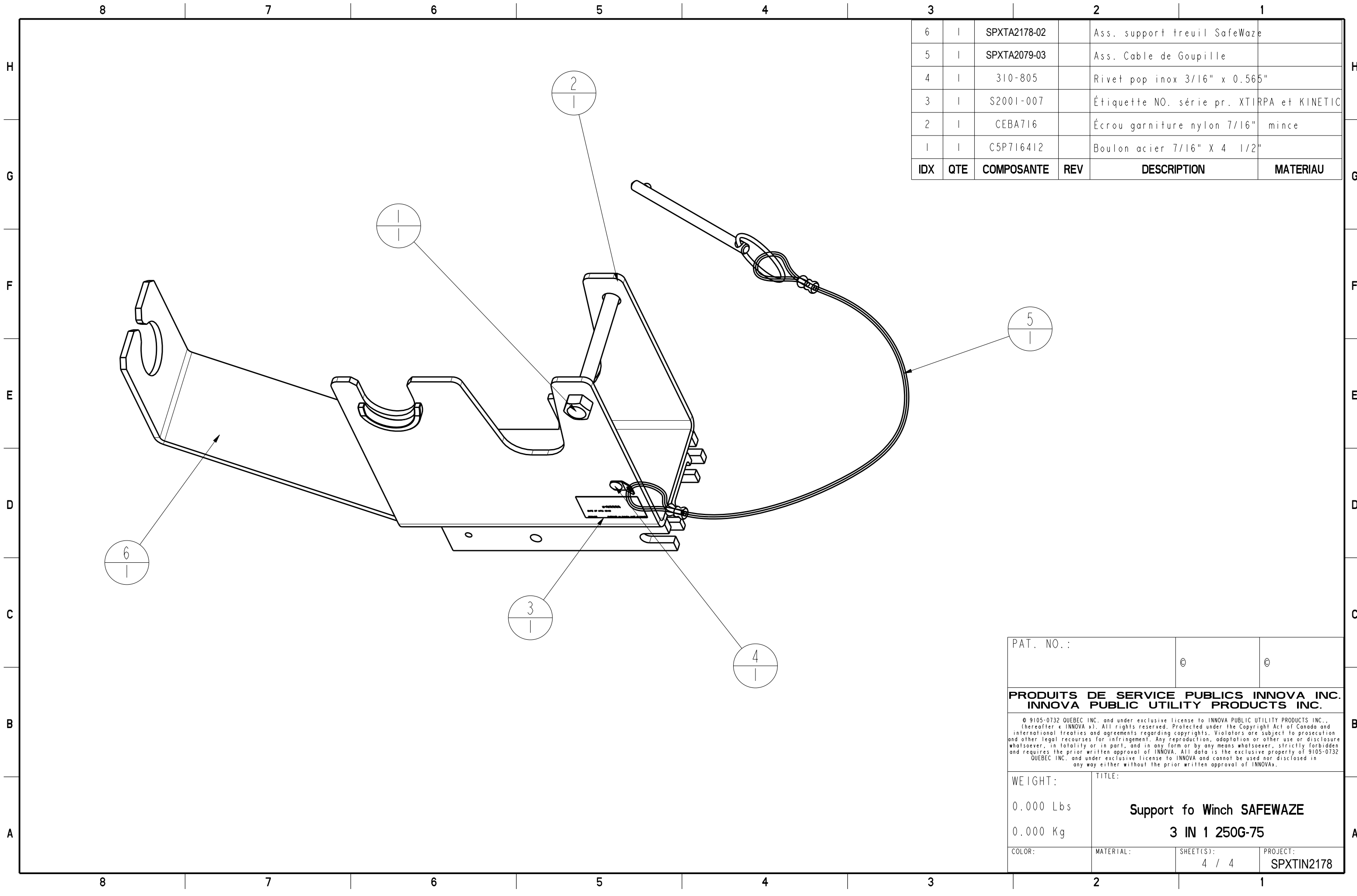
© 1995-2002 INNOVA INC. and under exclusive license to INNOVA PUBLIC UTILITY PRODUCTS INC. (Inventor) & INNOVA of all rights reserved. Protected under the Copyright Act of Canada and international treaties and agreements regarding copyright. All rights are subject to production and other legal processes for infringement. Any reproduction, adaptation or other use or disclosure, in whole or in part, and in any form or by any means whatsoever, without the written approval of INNOVA, all data is the exclusive property of INNOVA INC. and under exclusive license to INNOVA and cannot be used nor disclosed in any way other than the prior written approval of INNOVA.

WEIGHT: 0.000 Lbs
 0.000 Kg

Support for Winch SAFEWAZE
 3 IN 1 250G-75

COLOR: MATERIAL: SHEETS: 3 / 4 PROJECT: SPXTIN2178

Stamping space



IDX	QTE	COMPOSANTE	REV	DESCRIPTION	MATERIAU
6	1	SPXTA2178-02		Ass. support treuil SafeWaze	
5	1	SPXTA2079-03		Ass. Cable de Goupille	
4	1	310-805		Rivet pop inox 3/16" x 0.565"	
3	1	S2001-007		Étiquette NO. série pr. XTIRPA et KINETIC	
2	1	CEBA716		Écrou garniture nylon 7/16" mince	
1	1	C5P716412		Boulon acier 7/16" X 4 1/2"	

PAT. NO. :		©	©
PRODUITS DE SERVICE PUBLICS INNOVA INC. INNOVA PUBLIC UTILITY PRODUCTS INC.			
<small>© 9105-0732 QUEBEC INC. and under exclusive license to INNOVA PUBLIC UTILITY PRODUCTS INC., (hereafter « INNOVA »). All rights reserved. Protected under the Copyright Act of Canada and international treaties and agreements regarding copyrights. Violators are subject to prosecution and other legal recourses for infringement. Any reproduction, adaptation or other use or disclosure whatsoever, in totality or in part, and in any form or by any means whatsoever, strictly forbidden and requires the prior written approval of INNOVA. All data is the exclusive property of 9105-0732 QUEBEC INC. and under exclusive license to INNOVA and cannot be used nor disclosed in any way either without the prior written approval of INNOVA.</small>			
WEIGHT:	TITLE:		
0.000 Lbs	Support fo Winch SAFEWAZE 3 IN 1 250G-75		
0.000 Kg			
COLOR:	MATERIAL:	SHEET(S):	PROJECT:
		4 / 4	SPXTIN2178