

## SPXTIN2197-01: Extensible Davit-Arm 60" to 96"



**SpanSet Australia Ltd**

150 Old Bathurst Road  
Emu Plains  
NSW 2750  
Australia

**Telephone**

+61 2 4735 3955

**Fax**

+61 2 4735 3630

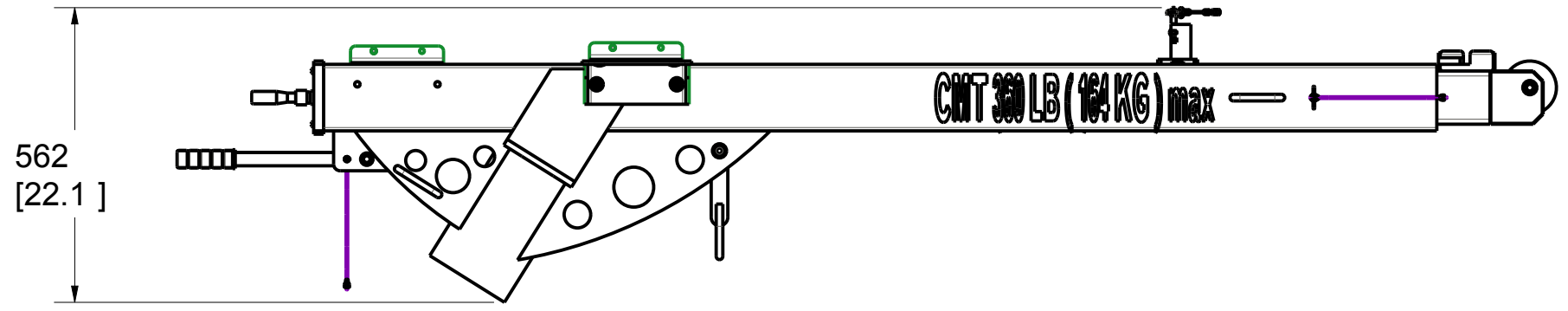
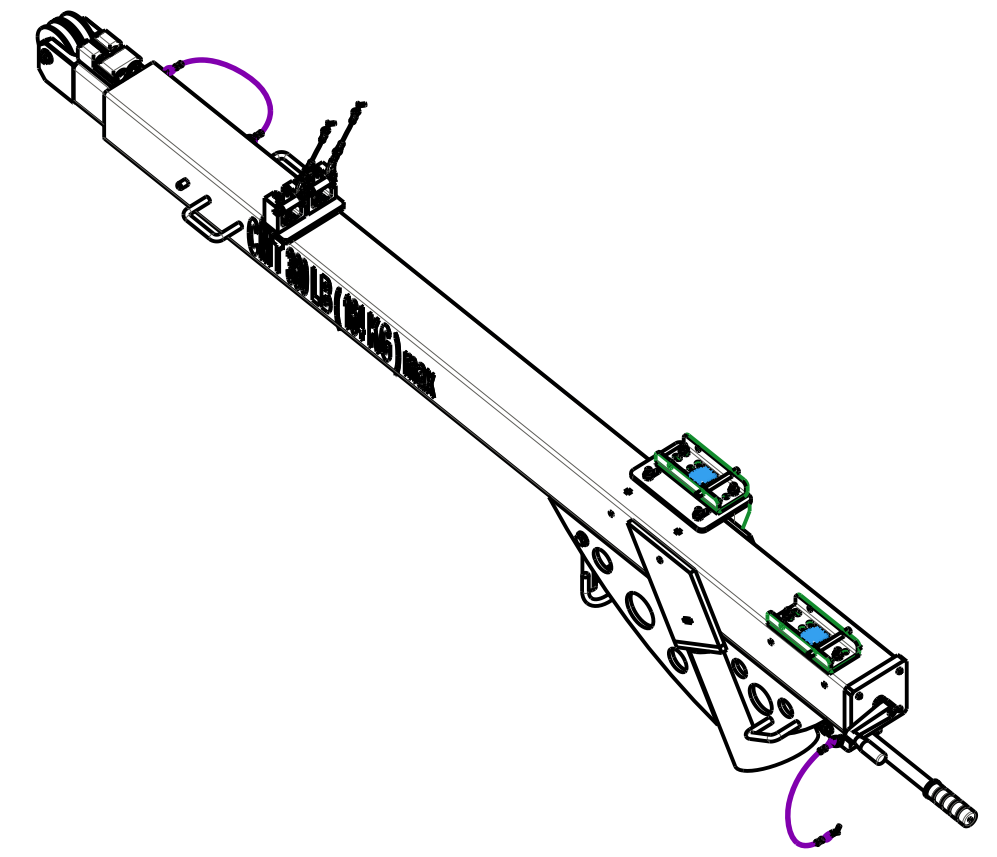
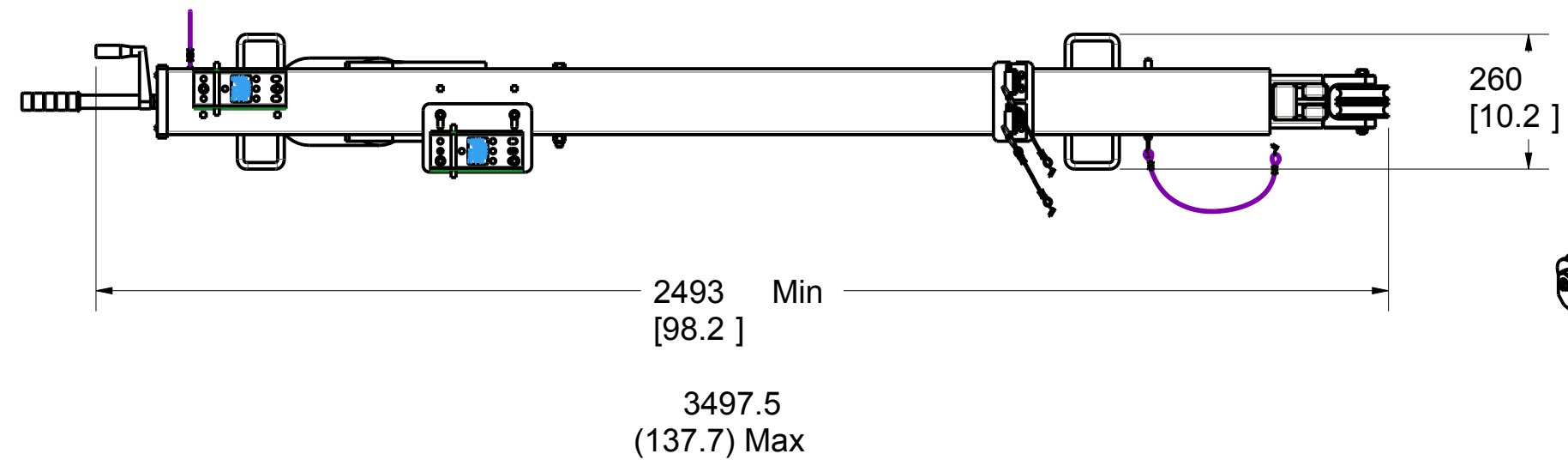
**E-mail**

[sales@spanset.com.au](mailto:sales@spanset.com.au)

**Internet**

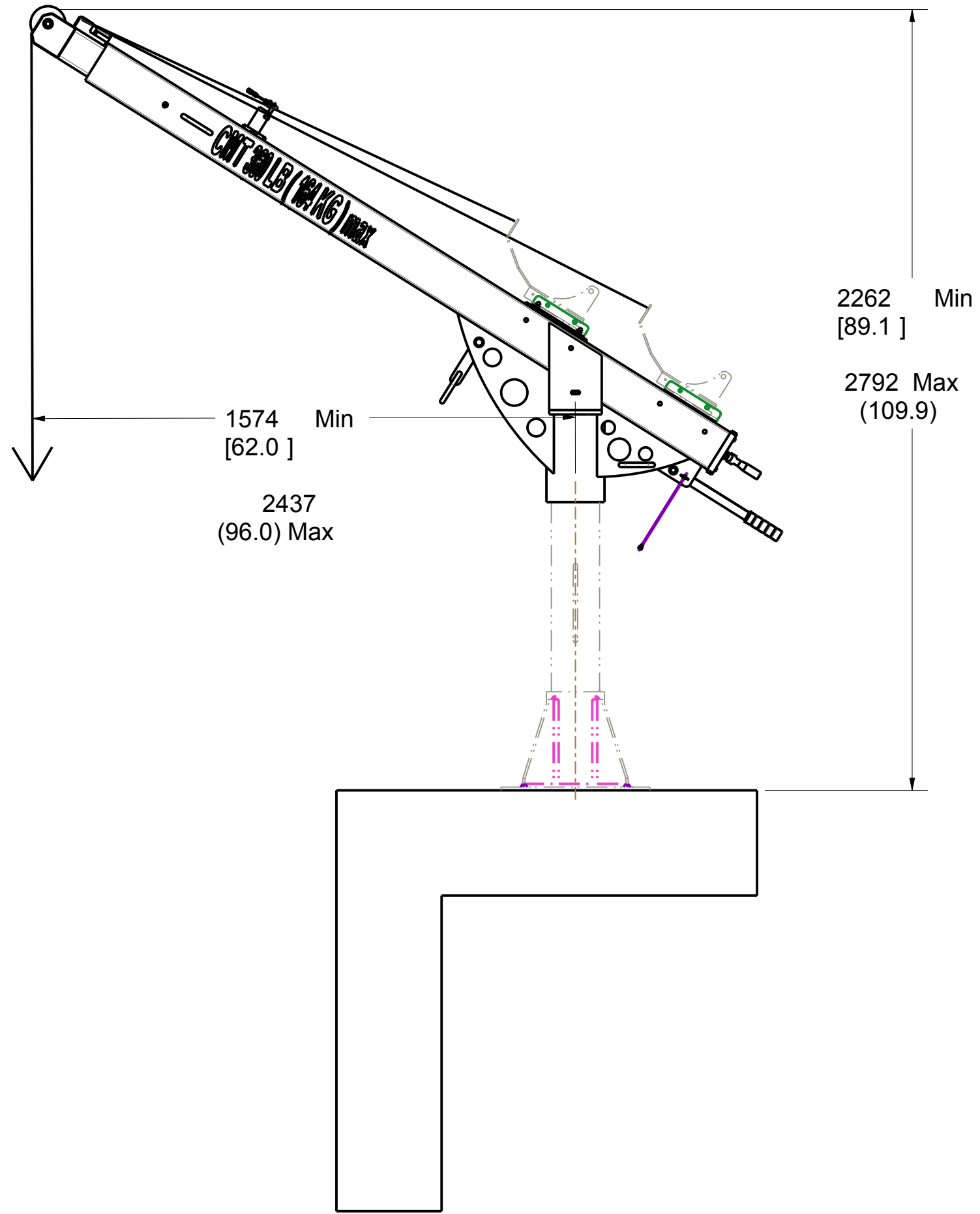
[www.spanset.com.au](http://www.spanset.com.au)

Product number: SPXTIN2197



PAT. NO.:		©06/04/2010 ©	
<b>PRODUITS DE SERVICE PUBLICS INNOVA INC.</b> <b>INNOVA PUBLIC UTILITY PRODUCTS INC.</b>			
<small>© 9105-0732 QUEBEC INC. and under exclusive license to INNOVA PUBLIC UTILITY PRODUCTS INC., (hereafter « INNOVA »). All rights reserved. Protected under the Copyright Act of Canada and international treaties and agreements regarding copyrights. Violators are subject to prosecution and other legal recourses for infringement. Any reproduction, adaptation or other use or disclosure whatsoever, in totality or in part, and in any form or by any means whatsoever, strictly forbidden and requires the prior written approval of INNOVA. All data is the exclusive property of 9105-0732 QUEBEC INC. and under exclusive license to INNOVA and cannot be used nor disclosed in any way either without the prior written approval of INNOVA.</small>			
WEIGHT:	TITLE:		
125.0 Lbs	Extensible Davit-Arm 60" to 96"		
56.7 Kg			
COLOR:	MATERIAL:	SHEET(S):	PROJECT:
Yellow security	Aluminum	1 / 4	SPXTIN2197

Product number: SPXTIN2197



PAT. NO.:		©06/04/2010 ©	
<b>PRODUITS DE SERVICE PUBLICS INNOVA INC.</b> <b>INNOVA PUBLIC UTILITY PRODUCTS INC.</b>			
<small>© 9105-0732 QUEBEC INC. and under exclusive license to INNOVA PUBLIC UTILITY PRODUCTS INC., (hereafter « INNOVA »). All rights reserved. Protected under the Copyright Act of Canada and international treaties and agreements regarding copyrights. Violators are subject to prosecution and other legal recourses for infringement. Any reproduction, adaptation or other use or disclosure whatsoever, in totality or in part, and in any form or by any means whatsoever, strictly forbidden and requires the prior written approval of INNOVA. All data is the exclusive property of 9105-0732 QUEBEC INC. and under exclusive license to INNOVA and cannot be used nor disclosed in any way either without the prior written approval of INNOVA.</small>			
WEIGHT:	TITLE:		
125.0 Lbs	Extensible Davit-Arm 60" to 96"		
56.7 Kg			
COLOR:	MATERIAL:	SHEET(S):	PROJECT:
Yellow security	Aluminum	2 / 4	SPXTIN2197

**SPECIFICATIONS**

**H** This product is man rated and shall be used in conjunction with Fall Arrest Equipment which limits the maximum arrest force ( MAF )

**G** Working load (mass) :  
 With Lifeline Winch or material handling Winch in position 1 or 2:  
 With mast SPXTIN2199 : 164kg ( 360lbs)

Max Design Capacity with lifeline winch or material handling Winch Position 1 or 2:  
 With mast SPXTIN2199: 16014 N ( 3600 lbs)

**F** Max Capacity of anchor point: 22241 N ( 5000 lbf )

**STANDARDS**

**E** Meets the following standards:  
 OSHA Personal fall arrest system: 1910.66 App C  
 ANSI Safety requirements for personal fall arrest system, Subsystems and components Z359.1 ( R1999 )  
 CAN/CSA Fall arresters, vertical lifelines, and rails Z259.2.1-98

**MATERIAL AND CONSTRUCTION**

**D** Extension and guide tubes: Aluminum 6061-T6  
 Anchorage hooks: 304 Stainless Steel  
 Hardware: Zinc plated steel  
 Guide tube sliders: UHMW  
 Pulley: Black Acetal  
 Finish: Yellow security powder point with metal protection base.  
**C** Welding Certification: CSA W47.2M and CSA W47.1

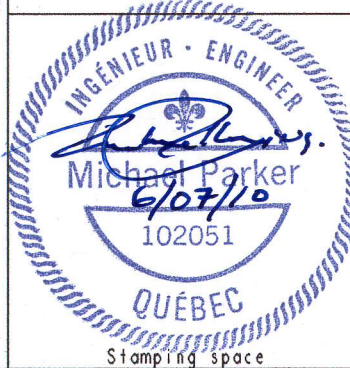
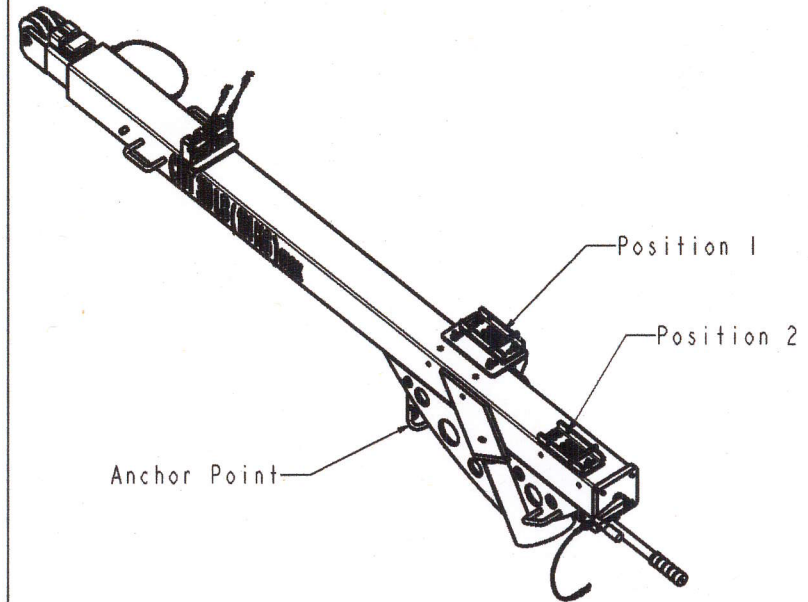
**RESTRICTIONS**

**B** This product is to be used only with products approved by Innova public Utility products INC.

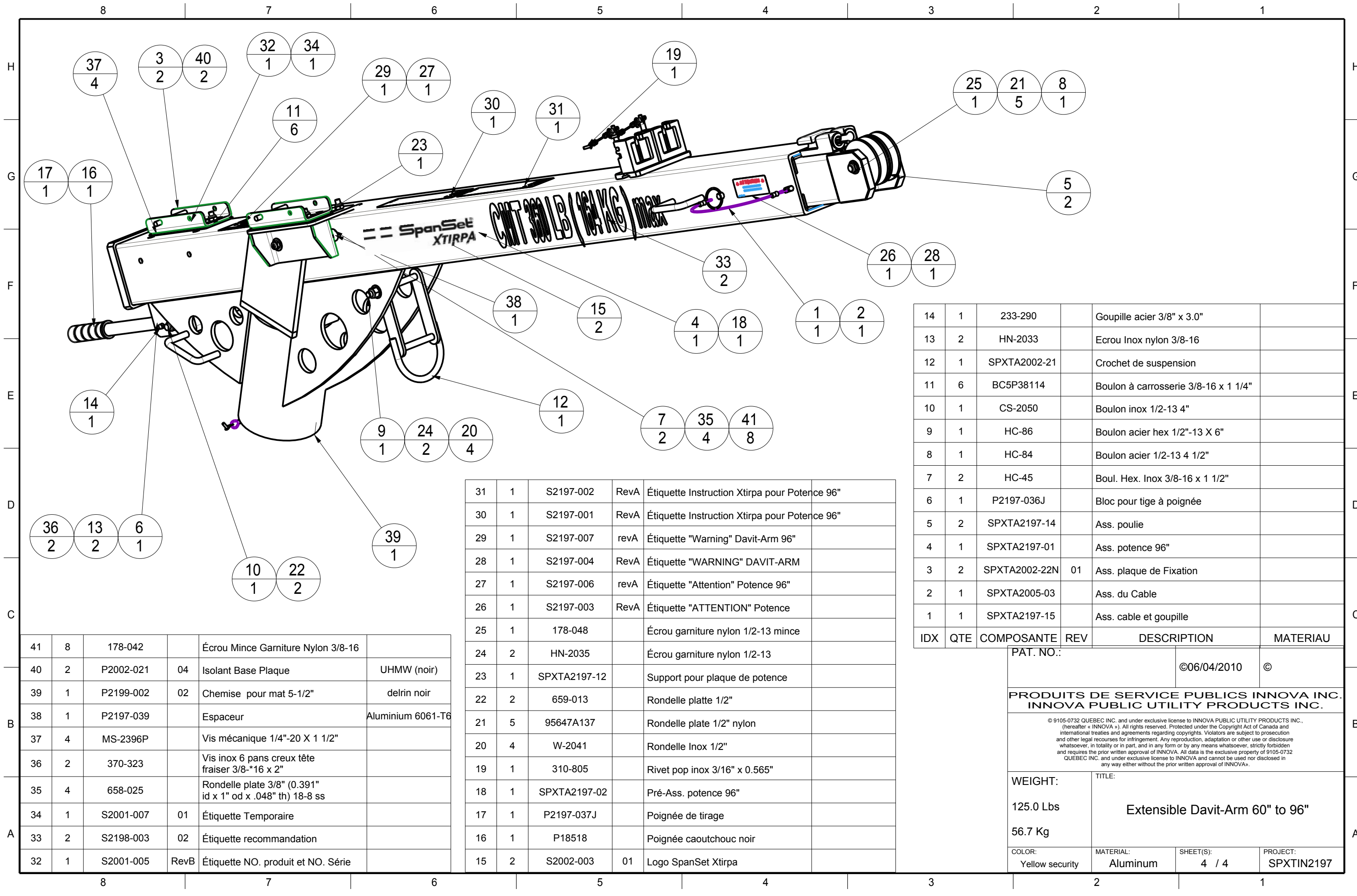
**Important:**

**A** Periodic inspections of hardware must be done.  
 All equipment and hardware must be inspected before re-using by qualified personnel when a fall has occurred.

Product number: SPXTIN2197



PAT. NO.:		006/04/2010 ©	
<b>PRODUITS DE SERVICE PUBLICS INNOVA INC. INNOVA PUBLIC UTILITY PRODUCTS INC.</b>			
<small>© 0105-0732 QUEBEC INC. and under exclusive license to INNOVA PUBLIC UTILITY PRODUCTS INC., (hereinafter "INNOVA"). All rights reserved. Protected under the Copyright Act of Canada and international treaties and agreements regarding copyrights. Violators are subject to prosecution and other legal recourse for infringement. Any reproduction, adaptation or other use or disclosure whatsoever, in whole or in part, and in any form or by any means whatsoever, strictly forbidden and requires the prior written approval of INNOVA. All data is the exclusive property of 0105-0732 QUEBEC INC. and under exclusive license to INNOVA and cannot be used or disclosed in any way either without the prior written approval of INNOVA.</small>			
WEIGHT:	TITLE:		
125.0 Lbs	<b>Extensible Davit-Arm 60" to 96"</b>		
56.7 Kg	COLOR:	MATERIAL:	SHEET(S):
	Yellow security	Aluminum	3 / 5
			PROJECT:
			SPXTIN2197



41	8	178-042		Écrou Mince Garniture Nylon 3/8-16	
40	2	P2002-021	04	Isolant Base Plaque	UHMW (noir)
39	1	P2199-002	02	Chemise pour mat 5-1/2"	delrin noir
38	1	P2197-039		Espaceur	Aluminium 6061-T6
37	4	MS-2396P		Vis mécanique 1/4"-20 X 1 1/2"	
36	2	370-323		Vis inox 6 pans creux tête fraiser 3/8-*16 x 2"	
35	4	658-025		Rondelle plate 3/8" (0.391" id x 1" od x .048" th) 18-8 ss	
34	1	S2001-007	01	Étiquette Temporaire	
33	2	S2198-003	02	Étiquette recommandation	
32	1	S2001-005	RevB	Étiquette NO. produit et NO. Série	

31	1	S2197-002	RevA	Étiquette Instruction Xtirpa pour Potence 96"	
30	1	S2197-001	RevA	Étiquette Instruction Xtirpa pour Potence 96"	
29	1	S2197-007	revA	Étiquette "Warning" Davit-Arm 96"	
28	1	S2197-004	RevA	Étiquette "WARNING" DAVIT-ARM	
27	1	S2197-006	revA	Étiquette "Attention" Potence 96"	
26	1	S2197-003	RevA	Étiquette "ATTENTION" Potence	
25	1	178-048		Écrou garniture nylon 1/2-13 mince	
24	2	HN-2035		Écrou garniture nylon 1/2-13	
23	1	SPXTA2197-12		Support pour plaque de potence	
22	2	659-013		Rondelle platte 1/2"	
21	5	95647A137		Rondelle plate 1/2" nylon	
20	4	W-2041		Rondelle Inox 1/2"	
19	1	310-805		Rivet pop inox 3/16" x 0.565"	
18	1	SPXTA2197-02		Pré-Ass. potence 96"	
17	1	P2197-037J		Poignée de tirage	
16	1	P18518		Poignée caoutchouc noir	
15	2	S2002-003	01	Logo SpanSet Xtirpa	

14	1	233-290		Goupille acier 3/8" x 3.0"	
13	2	HN-2033		Ecrou Inox nylon 3/8-16	
12	1	SPXTA2002-21		Crochet de suspension	
11	6	BC5P38114		Boulon à carrosserie 3/8-16 x 1 1/4"	
10	1	CS-2050		Boulon inox 1/2-13 4"	
9	1	HC-86		Boulon acier hex 1/2"-13 X 6"	
8	1	HC-84		Boulon acier 1/2-13 4 1/2"	
7	2	HC-45		Boul. Hex. Inox 3/8-16 x 1 1/2"	
6	1	P2197-036J		Bloc pour tige à poignée	
5	2	SPXTA2197-14		Ass. poulie	
4	1	SPXTA2197-01		Ass. potence 96"	
3	2	SPXTA2002-22N	01	Ass. plaque de Fixation	
2	1	SPXTA2005-03		Ass. du Cable	
1	1	SPXTA2197-15		Ass. cable et goupille	
IDX	QTE	COMPOSANTE	REV	DESCRIPTION	MATERIAU

PAT. NO.: ©06/04/2010 ©

**PRODUITS DE SERVICE PUBLICS INNOVA INC.**  
**INNOVA PUBLIC UTILITY PRODUCTS INC.**

© 9105-0732 QUEBEC INC. and under exclusive license to INNOVA PUBLIC UTILITY PRODUCTS INC., (hereafter « INNOVA »). All rights reserved. Protected under the Copyright Act of Canada and international treaties and agreements regarding copyrights. Violators are subject to prosecution and other legal recourses for infringement. Any reproduction, adaptation or other use or disclosure whatsoever, in totality or in part, and in any form or by any means whatsoever, strictly forbidden and requires the prior written approval of INNOVA. All data is the exclusive property of 9105-0732 QUEBEC INC. and under exclusive license to INNOVA and cannot be used nor disclosed in any way either without the prior written approval of INNOVA.

WEIGHT: 125.0 Lbs  
56.7 Kg

TITLE: **Extensible Davit-Arm 60" to 96"**

COLOR: Yellow security MATERIAL: Aluminum SHEET(S): 4 / 4 PROJECT: SPXTIN2197