

SPXTIN2204-01: Vehicle Hitch Mount



SpanSet Australia Ltd

13 Pullman Place
Emu Plains
NSW 2750
Australia

Telephone

+61 2 4735 3955

Fax

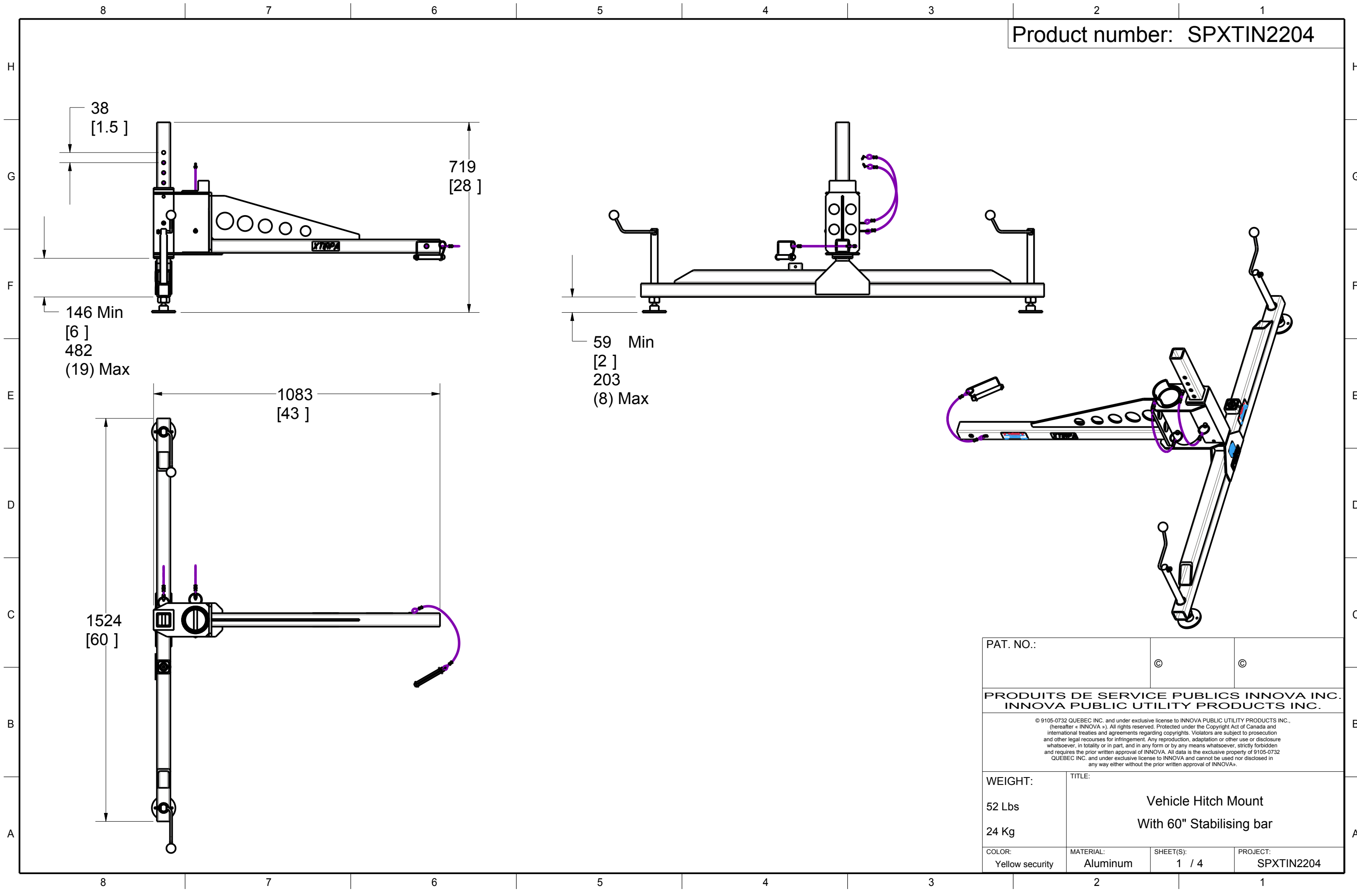
+61 2 4735 3630

E-mail

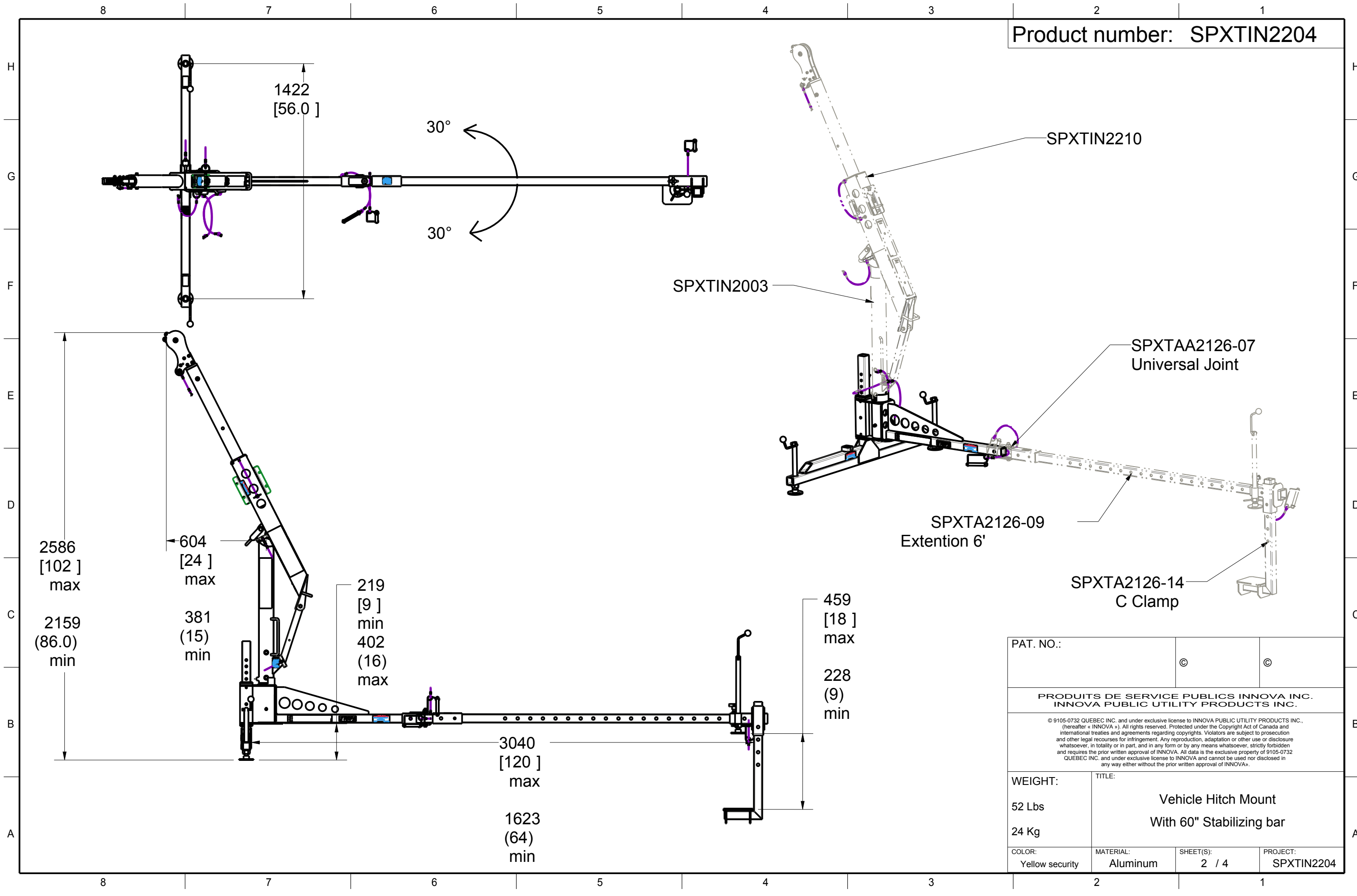
sales@spanset.com.au

Internet

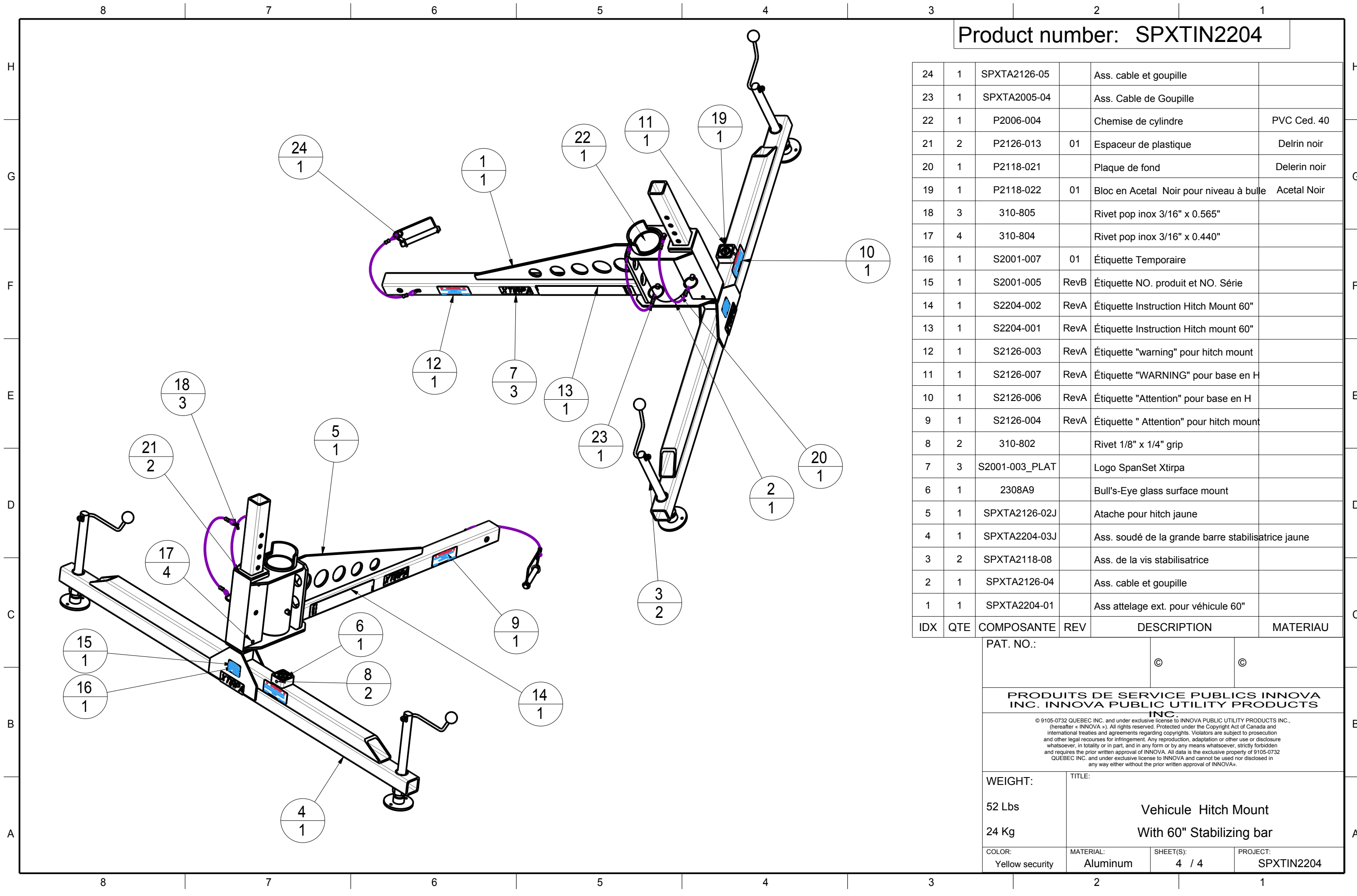
www.spanset.com.au



PAT. NO.:		©	©
PRODUITS DE SERVICE PUBLICS INNOVA INC. INNOVA PUBLIC UTILITY PRODUCTS INC.			
<small>© 9105-0732 QUEBEC INC. and under exclusive license to INNOVA PUBLIC UTILITY PRODUCTS INC., (hereafter « INNOVA »). All rights reserved. Protected under the Copyright Act of Canada and international treaties and agreements regarding copyrights. Violators are subject to prosecution and other legal recourses for infringement. Any reproduction, adaptation or other use or disclosure whatsoever, in totality or in part, and in any form or by any means whatsoever, strictly forbidden and requires the prior written approval of INNOVA. All data is the exclusive property of 9105-0732 QUEBEC INC. and under exclusive license to INNOVA and cannot be used nor disclosed in any way either without the prior written approval of INNOVA.</small>			
WEIGHT:	TITLE:		
52 Lbs	Vehicle Hitch Mount With 60" Stabilising bar		
24 Kg			
COLOR:	MATERIAL:	SHEET(S):	PROJECT:
Yellow security	Aluminum	1 / 4	SPXTIN2204



PAT. NO.:		©	©
PRODUITS DE SERVICE PUBLICS INNOVA INC. INNOVA PUBLIC UTILITY PRODUCTS INC.			
<small>© 9105-0732 QUEBEC INC. and under exclusive license to INNOVA PUBLIC UTILITY PRODUCTS INC. (hereafter « INNOVA »). All rights reserved. Protected under the Copyright Act of Canada and international treaties and agreements regarding copyrights. Violators are subject to prosecution and other legal recourses for infringement. Any reproduction, adaptation or other use or disclosure whatsoever, in totality or in part, and in any form or by any means whatsoever, strictly forbidden and requires the prior written approval of INNOVA. All data is the exclusive property of 9105-0732 QUEBEC INC. and under exclusive license to INNOVA and cannot be used nor disclosed in any way either without the prior written approval of INNOVA.</small>			
WEIGHT:	TITLE:		
52 Lbs	Vehicle Hitch Mount		
24 Kg	With 60" Stabilizing bar		
COLOR:	MATERIAL:	SHEET(S):	PROJECT:
Yellow security	Aluminum	2 / 4	SPXTIN2204



Product number: SPXTIN2204

QTE	COMPOSANTE	REV	DESCRIPTION	MATERIAU	
24	1	SPXTA2126-05	Ass. cable et goupille		
23	1	SPXTA2005-04	Ass. Cable de Goupille		
22	1	P2006-004	Chemise de cylindre	PVC Ced. 40	
21	2	P2126-013	Espaceur de plastique	Delrin noir	
20	1	P2118-021	Plaque de fond	Delerin noir	
19	1	P2118-022	Bloc en Acetal Noir pour niveau à bulle	Acetal Noir	
18	3	310-805	Rivet pop inox 3/16" x 0.565"		
17	4	310-804	Rivet pop inox 3/16" x 0.440"		
16	1	S2001-007	01 Étiquette Temporaire		
15	1	S2001-005	RevB Étiquette NO. produit et NO. Série		
14	1	S2204-002	RevA Étiquette Instruction Hitch Mount 60"		
13	1	S2204-001	RevA Étiquette Instruction Hitch mount 60"		
12	1	S2126-003	RevA Étiquette "warning" pour hitch mount		
11	1	S2126-007	RevA Étiquette "WARNING" pour base en H		
10	1	S2126-006	RevA Étiquette "Attention" pour base en H		
9	1	S2126-004	RevA Étiquette " Attention" pour hitch mount		
8	2	310-802	Rivet 1/8" x 1/4" grip		
7	3	S2001-003_PLAT	Logo SpanSet Xtirpa		
6	1	2308A9	Bull's-Eye glass surface mount		
5	1	SPXTA2126-02J	Atache pour hitch jaune		
4	1	SPXTA2204-03J	Ass. soudé de la grande barre stabilisatrice jaune		
3	2	SPXTA2118-08	Ass. de la vis stabilisatrice		
2	1	SPXTA2126-04	Ass. cable et goupille		
1	1	SPXTA2204-01	Ass attelage ext. pour véhicule 60"		
IDX	QTE	COMPOSANTE	REV	DESCRIPTION	MATERIAU

PAT. NO.:

©

PRODUITS DE SERVICE PUBLICS INNOVA INC. INNOVA PUBLIC UTILITY PRODUCTS INC.

© 9105-0732 QUEBEC INC. and under exclusive license to INNOVA PUBLIC UTILITY PRODUCTS INC., (hereafter « INNOVA »). All rights reserved. Protected under the Copyright Act of Canada and international treaties and agreements regarding copyrights. Violators are subject to prosecution and other legal recourses for infringement. Any reproduction, adaptation or other use or disclosure whatsoever, in totality or in part, and in any form or by any means whatsoever, strictly forbidden and requires the prior written approval of INNOVA. All data is the exclusive property of 9105-0732 QUEBEC INC. and under exclusive license to INNOVA and cannot be used nor disclosed in any way either without the prior written approval of INNOVA.

WEIGHT:	TITLE:		
52 Lbs	Vehicule Hitch Mount With 60" Stabilizing bar		
24 Kg			
COLOR:	MATERIAL:	SHEET(S):	PROJECT:
Yellow security	Aluminum	4 / 4	SPXTIN2204