

SPXTIN2217-01: Manhole Entry Ring System for Hole 24" to 26"



SpanSet Australia Ltd

150 Old Bathurst Road
Emu Plains
NSW 2750
Australia

Telephone

+61 2 4735 3955

Fax

+61 2 4735 3630

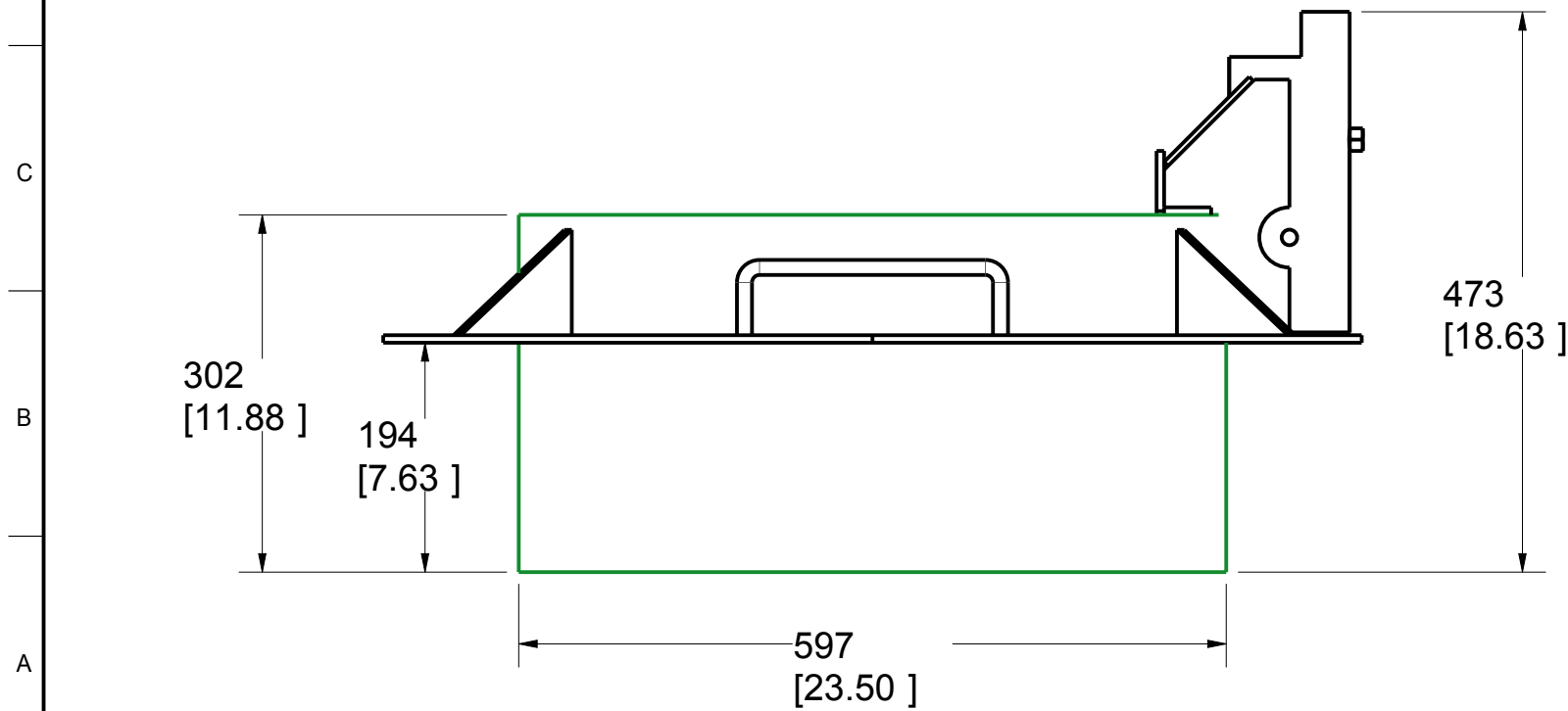
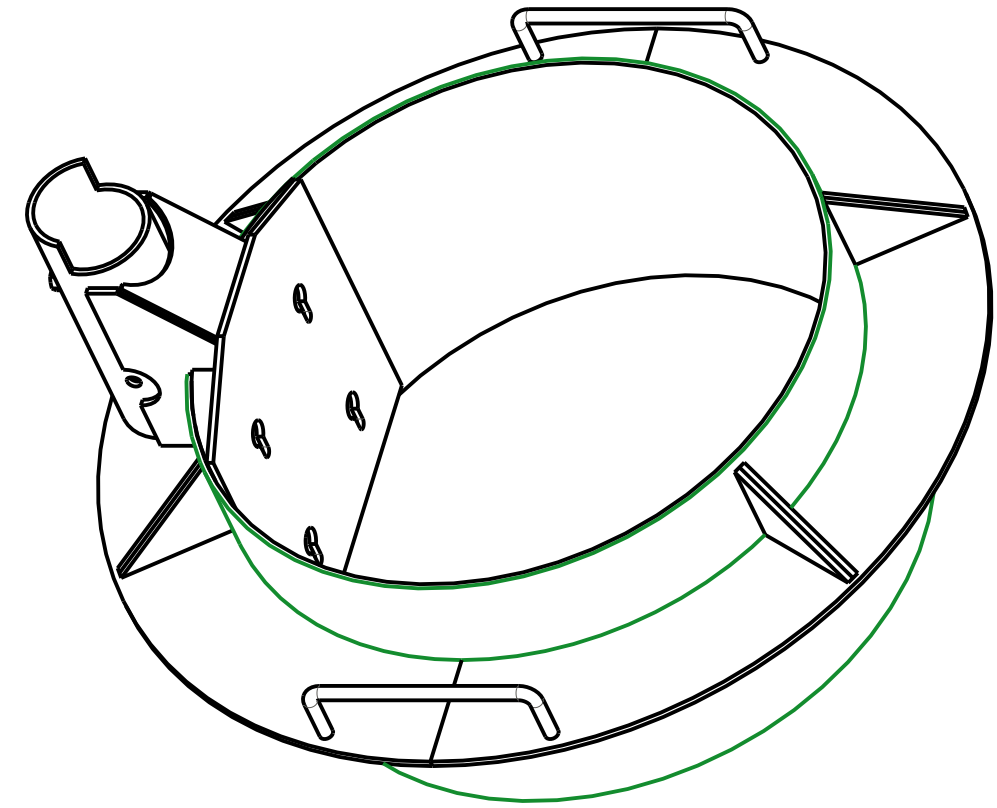
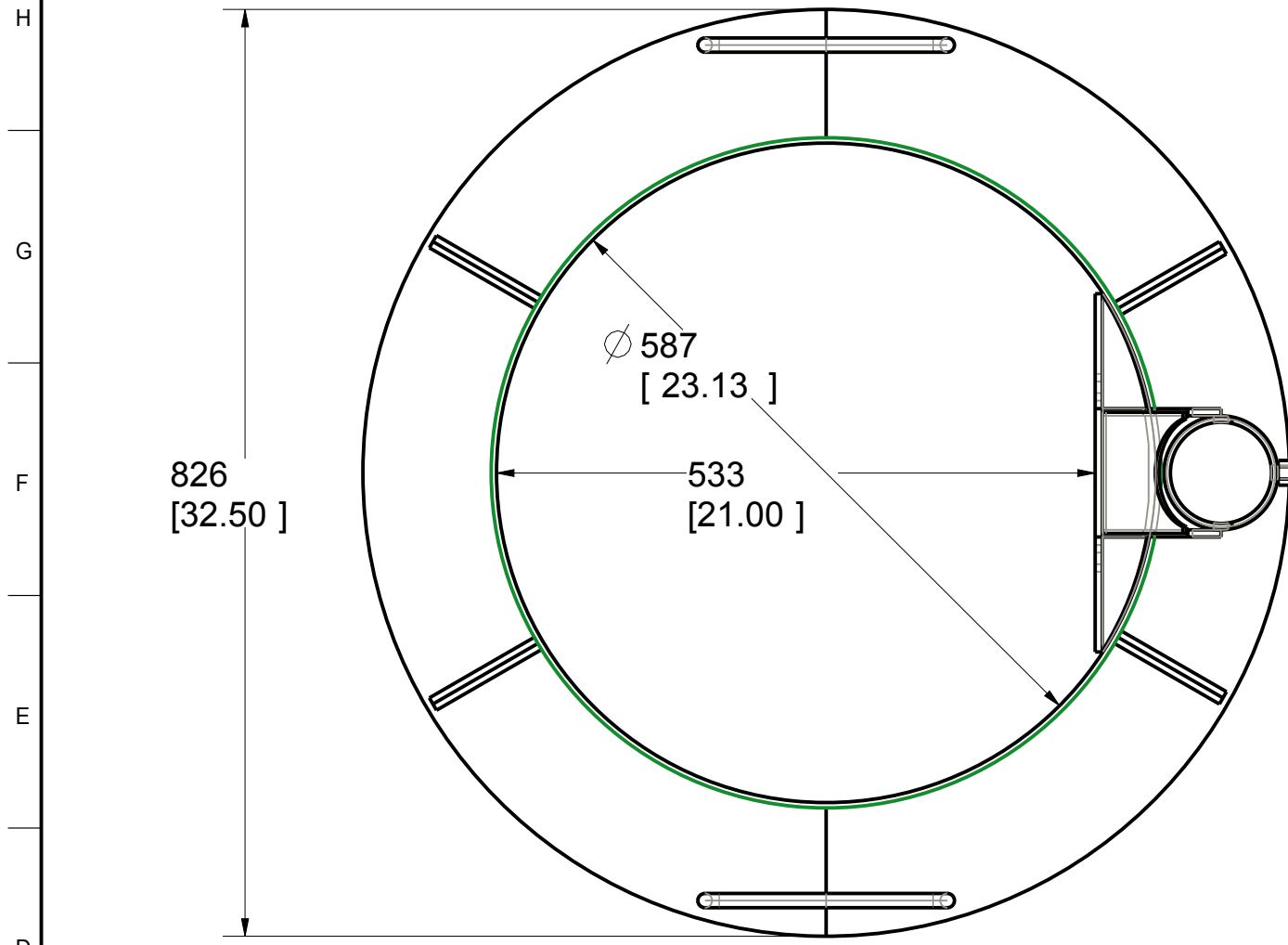
E-mail

sales@spanset.com.au

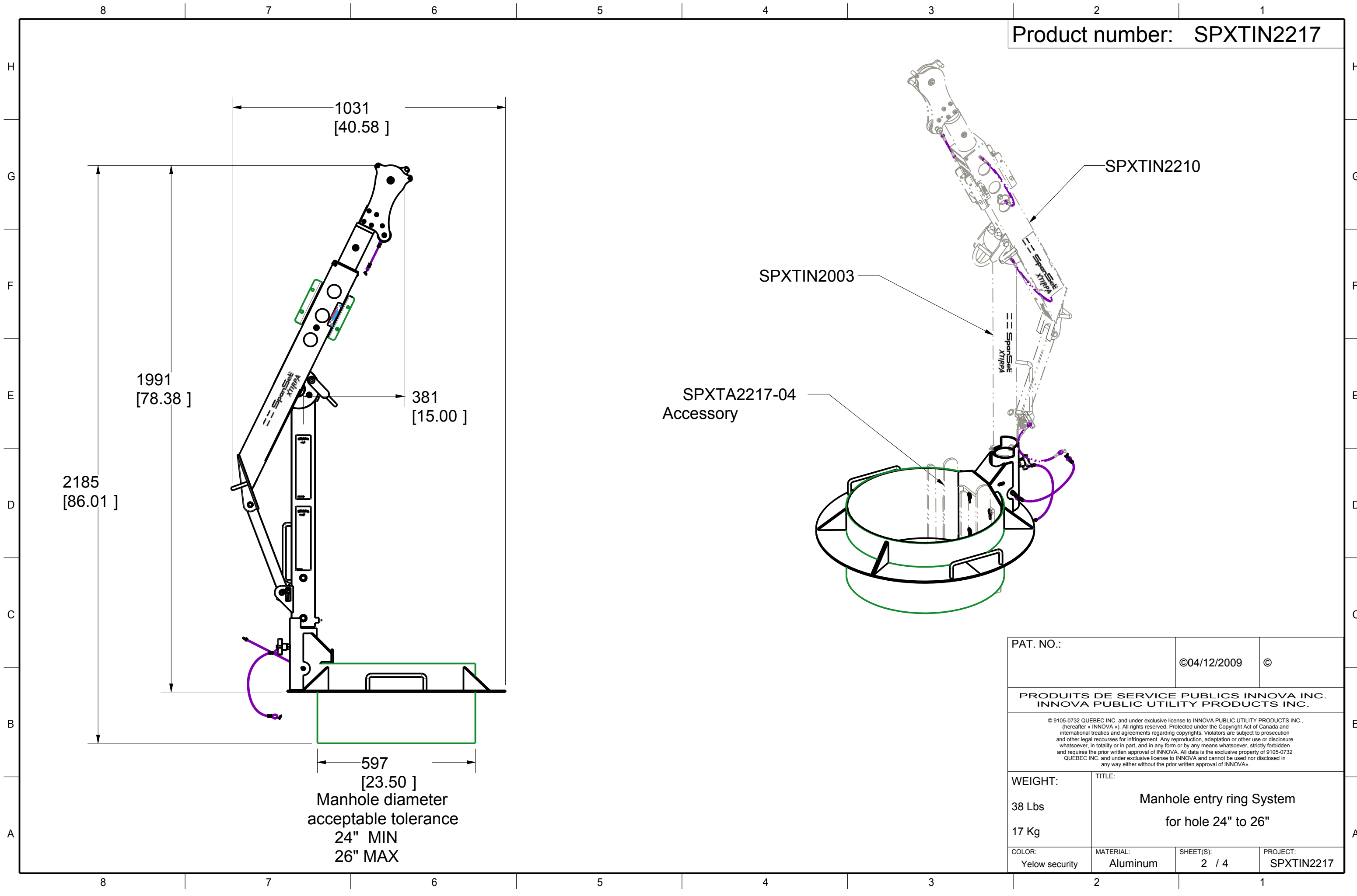
Internet

www.spanset.com.au

Product number: SPXTIN2217



| | | | |
|---|---------------------------|-------------|------------|
| PAT. NO.: | | ©04/12/2009 | © |
| PRODUITS DE SERVICE PUBLICS INNOVA INC. INNOVA PUBLIC UTILITY PRODUCTS INC. | | | |
| <small>© 9105-0732 QUEBEC INC. and under exclusive license to INNOVA PUBLIC UTILITY PRODUCTS INC., (hereafter « INNOVA »). All rights reserved. Protected under the Copyright Act of Canada and international treaties and agreements regarding copyrights. Violators are subject to prosecution and other legal recourses for infringement. Any reproduction, adaptation or other use or disclosure whatsoever, in totality or in part, and in any form or by any means whatsoever, strictly forbidden and requires the prior written approval of INNOVA. All data is the exclusive property of 9105-0732 QUEBEC INC. and under exclusive license to INNOVA and cannot be used nor disclosed in any way either without the prior written approval of INNOVA.</small> | | | |
| WEIGHT: | TITLE: | | |
| 38 Lbs | Manhole entry ring System | | |
| 17 Kg | for hole 24" to 26" | | |
| COLOR: | MATERIAL: | SHEET(S): | PROJECT: |
| Yellow security | Aluminum | 1 / 4 | SPXTIN2217 |



| | | | |
|---|---------------------------|---------------|------------|
| PAT. NO.: | | ©04/12/2009 © | |
| PRODUITS DE SERVICE PUBLICS INNOVA INC. INNOVA PUBLIC UTILITY PRODUCTS INC. | | | |
| <small>© 9105-0732 QUEBEC INC. and under exclusive license to INNOVA PUBLIC UTILITY PRODUCTS INC., (hereafter « INNOVA »). All rights reserved. Protected under the Copyright Act of Canada and international treaties and agreements regarding copyrights. Violators are subject to prosecution and other legal recourses for infringement. Any reproduction, adaptation or other use or disclosure whatsoever, in totality or in part, and in any form or by any means whatsoever, strictly forbidden and requires the prior written approval of INNOVA. All data is the exclusive property of 9105-0732 QUEBEC INC. and under exclusive license to INNOVA and cannot be used nor disclosed in any way either without the prior written approval of INNOVA.</small> | | | |
| WEIGHT: | TITLE: | | |
| 38 Lbs | Manhole entry ring System | | |
| 17 Kg | for hole 24" to 26" | | |
| COLOR: | MATERIAL: | SHEET(S): | PROJECT: |
| Yelow security | Aluminum | 2 / 4 | SPXTIN2217 |

SPECIFICATIONS

This product is man rated with a maximum working capacity of 360lbs (164kg). It is only to be used in conjunction with personal fall arrest equipment that limits the maximum arrest force (MAF).

Working load (mass) and moment:
 With mast SPXTIN2003 and Davit Arm SPXTIN2210: 164kg (360lbs), 610 N-m (5400 lb-in)

Max Design Capacity
 With mast SPXTIN2003 and Davit Arm SPXTIN2210: 16014 N (3600 lbf), 6101 N-m (54000 lbf-in)

STANDARDS

Meets the following standards:
 OSHA Personal fall arrest system - 1910.66 App C
 ANSI Safety requirements for personal fall arrest system, subsystems and components Z359.1 (R1999)
 CAN/CSA Fall arresters, vertical lifelines, and rails Z259.2.1-98

MATERIAL AND CONSTRUCTION

Rings, Handles, reinforcements and sleeve : Aluminum 6061-T6
 Sleeve bearing : PVC
 Pin : Zinc plated Steel
 Lanyard : Nylon covered Steel Cable
 Finish : Yellow security powder paint with metal protection base.
 Welding Certification : CSA W47,2M

RESTRICTIONS

This product is to be used only with products approved by Innova public utility products INC. such as: Davit Arm SPXTIN2210 and Mast SPXTIN2003

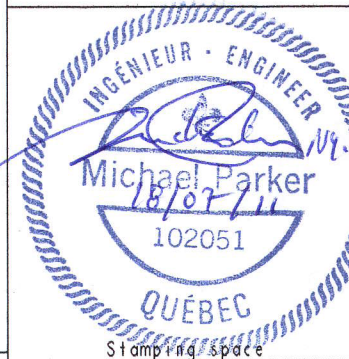
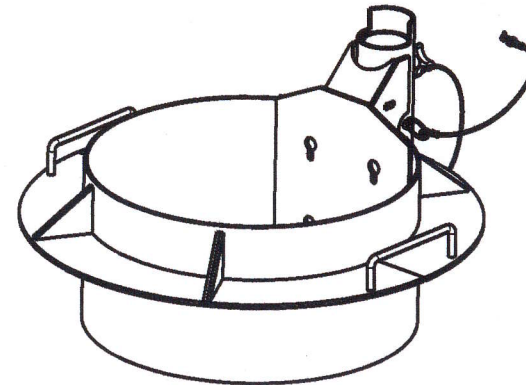
IMPORTANT :

**The positioning pin must always be in place when maneuvering personnel. Otherwise, serious injuries may occur.

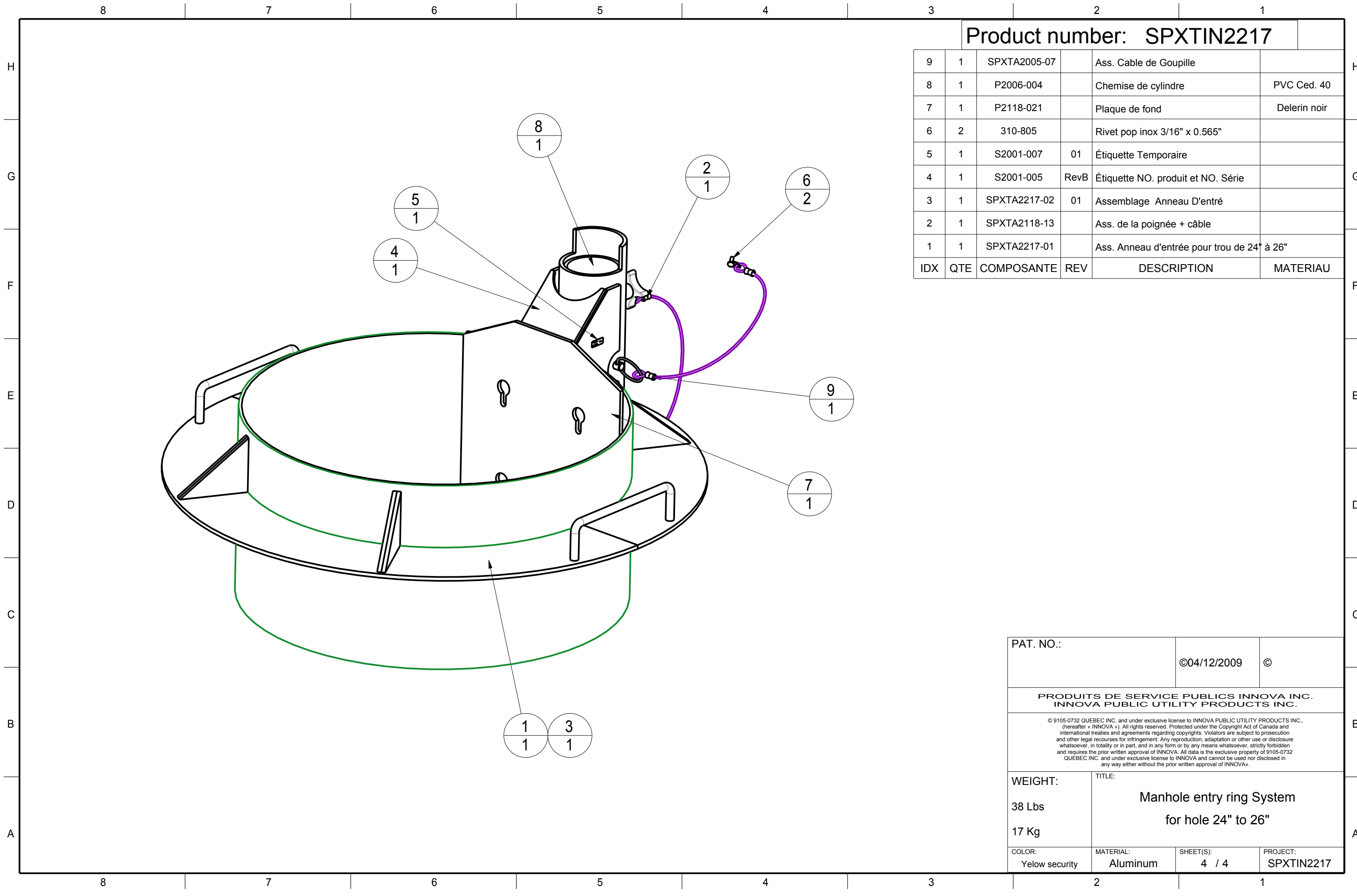
Periodic inspections of hardware must be done.
 All equipment and hardware must be inspected before re-using by qualified personnel when a fall has occurred.

** This equipment must always be operated in a leveled position

Product number: SPXTIN2217



| | | | |
|--|---------------------------|-------------|------------|
| PAT. NO.: | | 004/12/2009 | |
| © 9105-0732 QUEBEC INC. and under exclusive license to INNOVA PUBLIC UTILITY PRODUCTS INC. (hereinafter "INNOVA"). All rights reserved. Protected under the Copyright Act of Canada and international treaties and agreements regarding copyrights. Violators are subject to prosecution and other legal remedies for infringement. Any reproduction, adaptation or other use or disclosure, in totality or in part, and in any form or by any means whatsoever, strictly forbidden and requires the prior written approval of INNOVA. All data is the exclusive property of 9105-0732 QUEBEC INC. and under exclusive license to INNOVA and cannot be used or disclosed in any way either without the prior written approval of INNOVA. | | | |
| PRODUITS DE SERVICE PUBLICS INNOVA INC. INNOVA PUBLIC UTILITY PRODUCTS INC. | | | |
| WEIGHT: | TITLE: | | |
| 38 Lbs | Manhole entry ring System | | |
| 17 Kg | for hole 24" to 26" | | |
| COLOR: | MATERIAL: | SHEET(S): | PROJECT: |
| Yellow security | Aluminum | 3 / 4 | SPXTIN2217 |



Product number: SPXTIN2217

| IDX | QTE | COMPOSANTE | REV | DESCRIPTION | MATERIAU |
|-----|-----|--------------|------|---|--------------|
| 9 | 1 | SPXTA2005-07 | | Ass. Cable de Goupille | |
| 8 | 1 | P2006-004 | | Chemise de cylindre | PVC Ced. 40 |
| 7 | 1 | P2118-021 | | Plaque de fond | Delerin noir |
| 6 | 2 | 310-805 | | Rivet pop inox 3/16" x 0.565" | |
| 5 | 1 | S2001-007 | 01 | Étiquette Temporaire | |
| 4 | 1 | S2001-005 | RevB | Étiquette NO. produit et NO. Série | |
| 3 | 1 | SPXTA2217-02 | 01 | Assemblage Anneau D'entrée | |
| 2 | 1 | SPXTA2118-13 | | Ass. de la poignée + câble | |
| 1 | 1 | SPXTA2217-01 | | Ass. Anneau d'entrée pour trou de 24" à 26" | |

| | | | |
|---|--|-------------|------------|
| PAT. NO.: | | ©04/12/2009 | © |
| PRODUITS DE SERVICE PUBLICS INNOVA INC. INNOVA PUBLIC UTILITY PRODUCTS INC. | | | |
| <small>© 9105-0732 QUEBEC INC. and under exclusive license to INNOVA PUBLIC UTILITY PRODUCTS INC., (hereafter « INNOVA »). All rights reserved. Protected under the Copyright Act of Canada and international treaties and agreements regarding copyrights. Violators are subject to prosecution and other legal recourses for infringement. Any reproduction, adaptation or other use or disclosure whatsoever, in totality or in part, and in any form or by any means whatsoever, strictly forbidden and requires the prior written approval of INNOVA. All data is the exclusive property of 9105-0732 QUEBEC INC. and under exclusive license to INNOVA and cannot be used nor disclosed in any way either without the prior written approval of INNOVA.</small> | | | |
| WEIGHT: | TITLE: | | |
| 38 Lbs | Manhole entry ring System for hole 24" to 26" | | |
| 17 Kg | | | |
| COLOR: | MATERIAL: | SHEET(S): | PROJECT: |
| Yelow security | Aluminum | 4 / 4 | SPXTIN2217 |