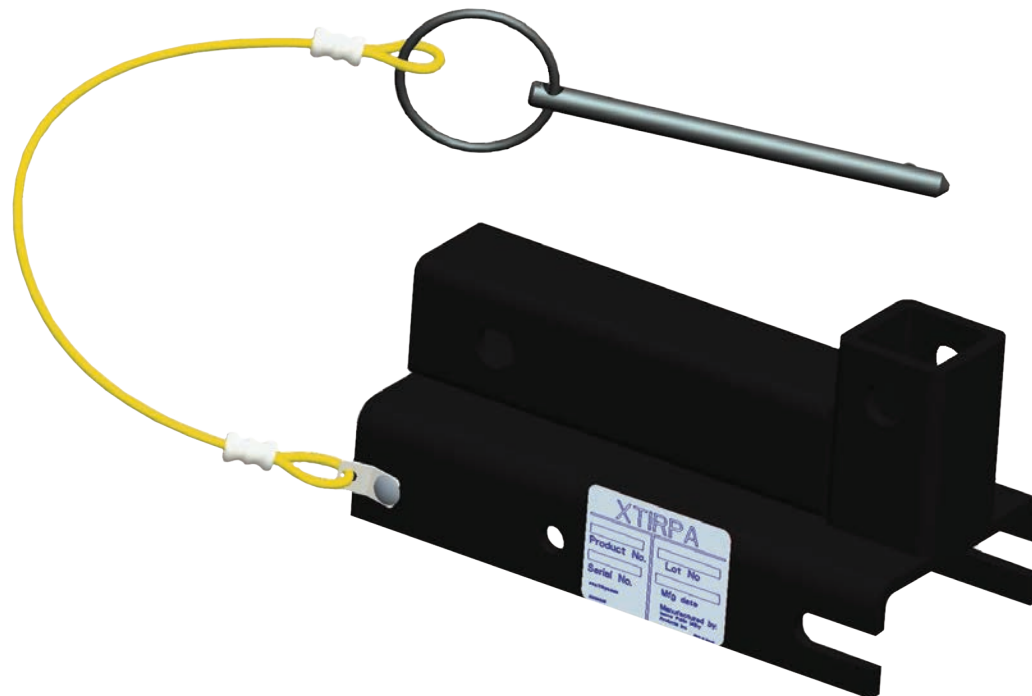


## SPXTIN2226-01: Support Adapter for Miller LB287 Winch



### SpanSet Australia Ltd

150 Old Bathurst Road  
Emu Plains  
NSW 2750  
Australia

### Telephone

+61 2 4735 3955

### Fax

+61 2 4735 3630

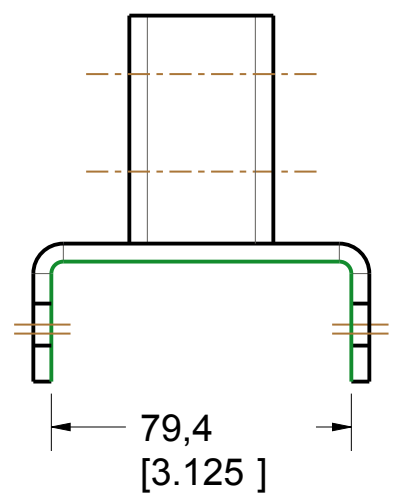
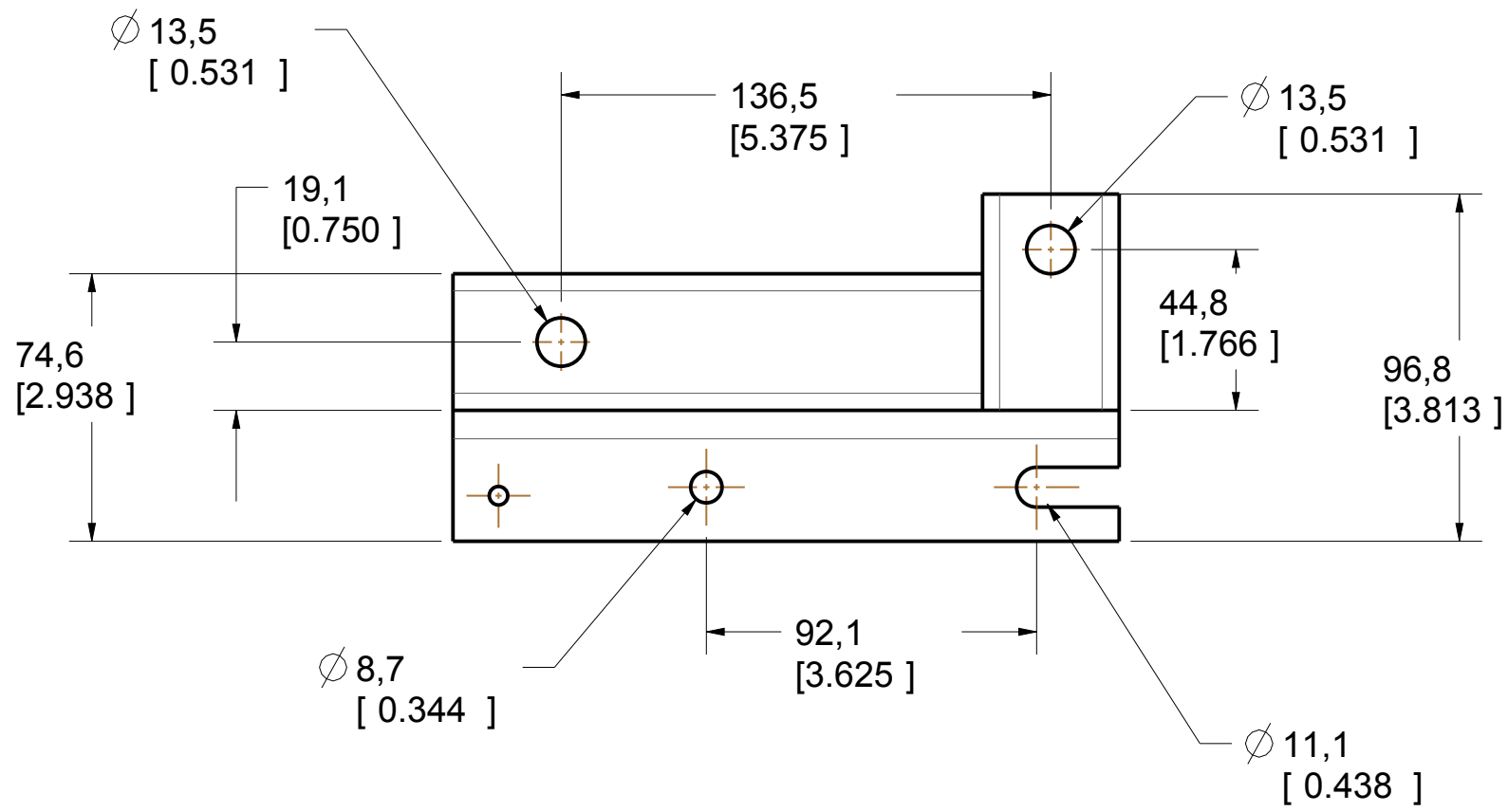
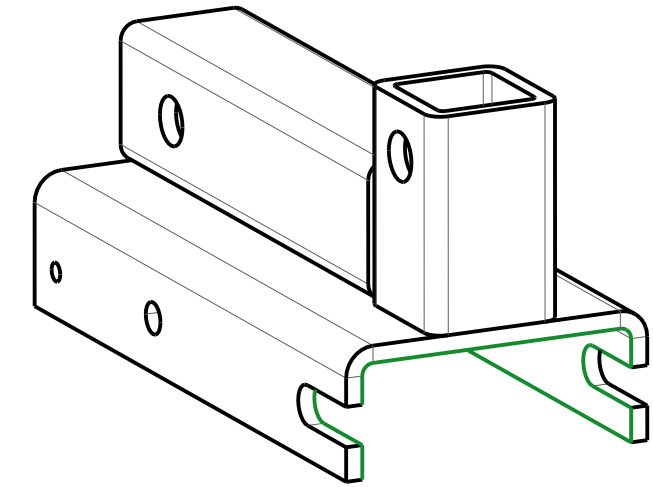
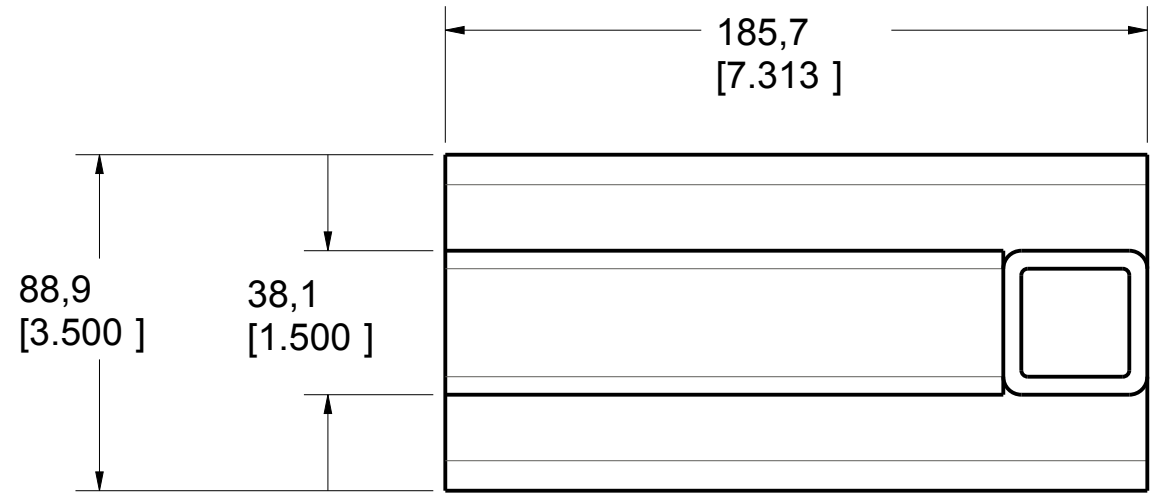
### E-mail

[sales@spanset.com.au](mailto:sales@spanset.com.au)

### Internet

[www.spanset.com.au](http://www.spanset.com.au)

Product number: SPXTIN2226



PAT. NO.:		©05/05/2010	©
<b>PRODUITS DE SERVICE PUBLICS INNOVA INC.</b> <b>INNOVA PUBLIC UTILITY PRODUCTS INC.</b>			
<small>© 9105-0732 QUEBEC INC. and under exclusive license to INNOVA PUBLIC UTILITY PRODUCTS INC., (hereafter « INNOVA »). All rights reserved. Protected under the Copyright Act of Canada and international treaties and agreements regarding copyrights. Violators are subject to prosecution and other legal recourses for infringement. Any reproduction, adaptation or other use or disclosure whatsoever, in totality or in part, and in any form or by any means whatsoever, strictly forbidden and requires the prior written approval of INNOVA. All data is the exclusive property of 9105-0732 QUEBEC INC. and under exclusive license to INNOVA and cannot be used nor disclosed in any way either without the prior written approval of INNOVA.</small>			
WEIGHT:	TITLE:		
5 Lbs	Support adapter for Miller LB287 Winch		
2 Kg			
COLOR:	MATERIAL:	SHEET(S):	PROJECT:
Black	Steel HSS	1 / 3	SPXTIN2226

Product number: SPXTIN2226

**SPECIFICATIONS**

This product is man rated with a maximum working capacity of 360lbs (164kg). It is only to be used in conjunction with personal fall arrest equipment that limits the maximum arrerst force (MAF).

Maximum Working Load (user + equipment) : 164 kg (360 lbs)  
 Maximum Design Load : 1640 kg (3600 lbs)

**STANDARDS**

Meets the following standards:  
 OSHA Personal fall arrest system - 1910.66 App C  
 ANSI Safety requirements for personal fall arrest system, subsystems and components Z359.1 ( R1999 )  
 CAN/CSA Fall arresters, vertical lifelines, and rails Z259.2.1-98

**MATERIAL AND CONSTRUCTION**

Body : Steel HSS  
 Hardware :Gr.5 Zinc plated Steel  
 Pin : Zinc plated Steel  
 Lanyard : Nylon covered Steel Cable  
 Finish : Black powder paint with metal protection base.  
 Welding Certification : CSA W59 & W47.1, AWS DI.6

**RESTRICTIONS**

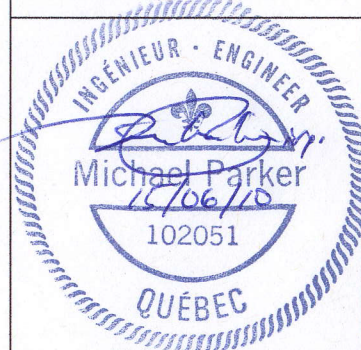
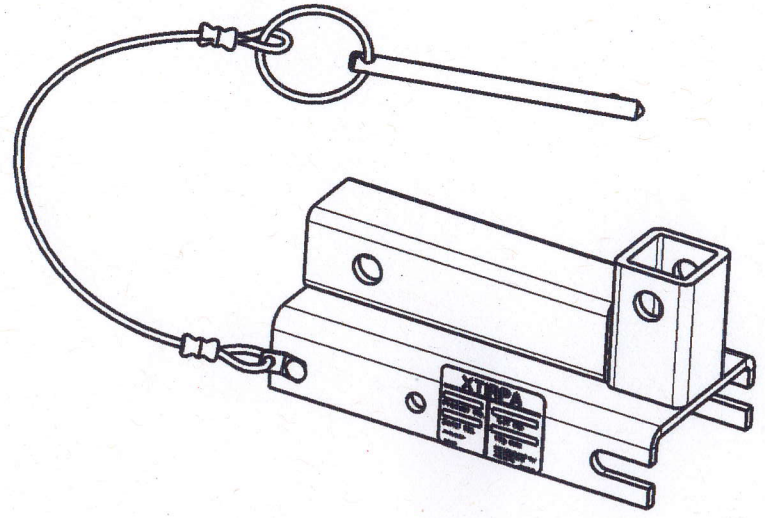
Winch adaptors are designed to function only with Innova public utility products INC. equipment.

**IMPORTANT :**

The mounting pin and hardware must always be in place at all times. Always use the manufacturers original pin and hardware. No substitutes.

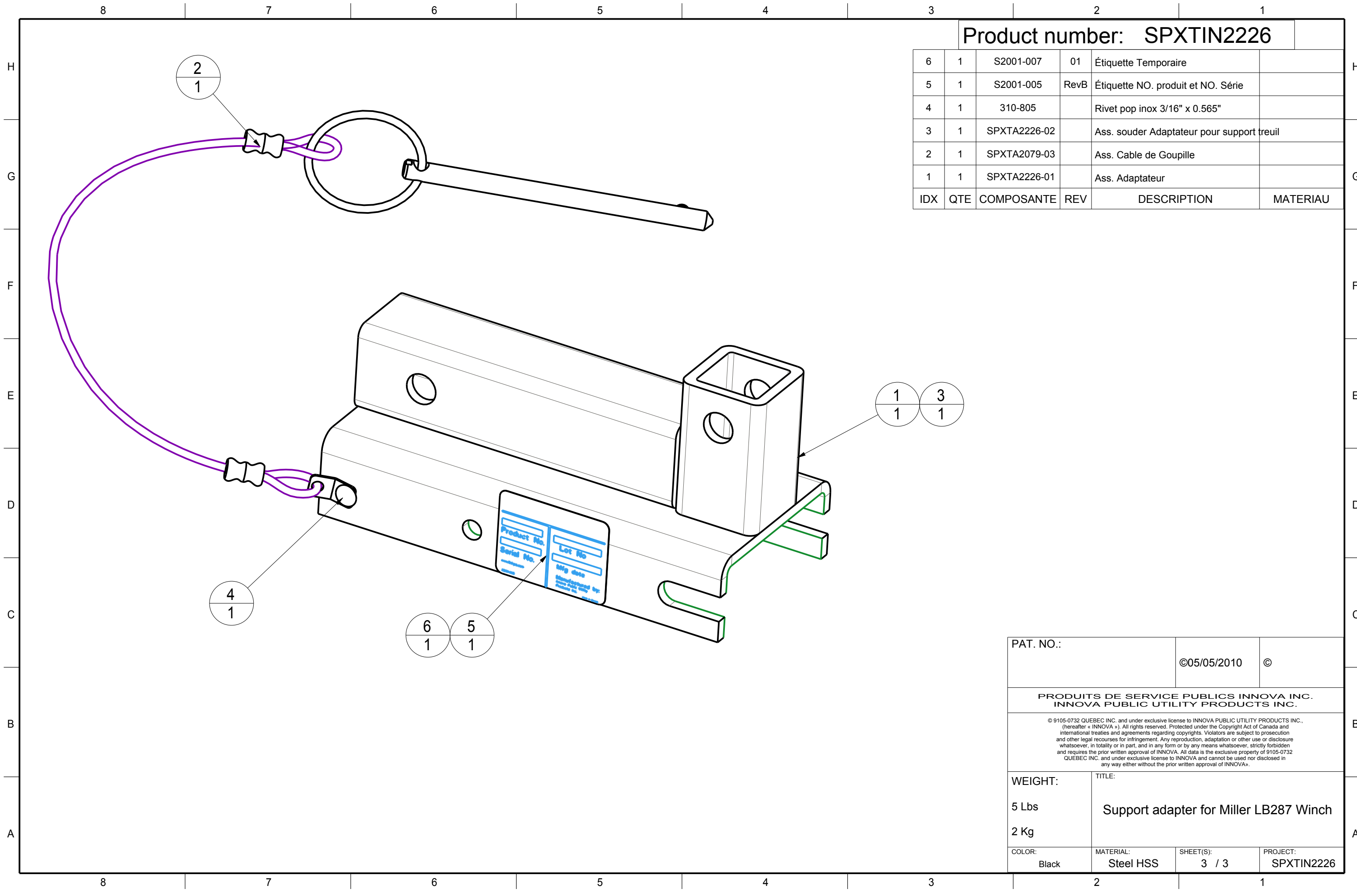
Periodic inspections of winch adaptors must be done to ensure personnel safety.

All equipment and hardware must be inspected before re-using by qualified personnel when a fall has occurred.



Stamping space

PAT. NO. :		005/05/2010 ©	
PRODUITS DE SERVICE PUBLICS INNOVA INC. INNOVA PUBLIC UTILITY PRODUCTS INC.			
<small>© 0105-0732 QUÉBEC INC. and under exclusive license to INNOVA PUBLIC UTILITY PRODUCTS INC., InnoVatec s. INNOVA s. All rights reserved. Protected under the Copyright Act of Canada and international treaties and agreements regarding copyrights. Violators are subject to prosecution and other legal recourse for infringement. Any reproduction, adaptation or other use or disclosure whatsoever, in totality or in part, and in any form or by any means whatsoever, strictly forbidden and requires the prior written approval of INNOVA. All data is the exclusive property of 0105-0732 QUÉBEC INC. and under exclusive license to INNOVA and cannot be used nor disclosed in any way either without the prior written approval of INNOVA.</small>			
WEIGHT:	TITLE:		
5 Lbs	Support adapter for Miller LB287 Winch		
2 Kg			
COLOR:	MATERIAL:	SHEET(S):	PROJECT:
Black	Steel HSS	2 / 3	SPXTIN2226



Product number: SPXTIN2226

IDX	QTE	COMPOSANTE	REV	DESCRIPTION	MATERIAU
6	1	S2001-007	01	Étiquette Temporaire	
5	1	S2001-005	RevB	Étiquette NO. produit et NO. Série	
4	1	310-805		Rivet pop inox 3/16" x 0.565"	
3	1	SPXTA2226-02		Ass. souder Adaptateur pour support treuil	
2	1	SPXTA2079-03		Ass. Cable de Goupille	
1	1	SPXTA2226-01		Ass. Adaptateur	

Product No.  
Serial No.  
Lot No.  
Mfg date  
Manufactured by:  
Innova Inc.

PAT. NO.:		©05/05/2010	©
<b>PRODUITS DE SERVICE PUBLICS INNOVA INC.</b> <b>INNOVA PUBLIC UTILITY PRODUCTS INC.</b>			
<small>© 9105-0732 QUEBEC INC. and under exclusive license to INNOVA PUBLIC UTILITY PRODUCTS INC., (hereafter « INNOVA »). All rights reserved. Protected under the Copyright Act of Canada and international treaties and agreements regarding copyrights. Violators are subject to prosecution and other legal recourses for infringement. Any reproduction, adaptation or other use or disclosure whatsoever, in totality or in part, and in any form or by any means whatsoever, strictly forbidden and requires the prior written approval of INNOVA. All data is the exclusive property of 9105-0732 QUEBEC INC. and under exclusive license to INNOVA and cannot be used nor disclosed in any way either without the prior written approval of INNOVA.</small>			
WEIGHT:	TITLE:		
5 Lbs 2 Kg	Support adapter for Miller LB287 Winch		
COLOR: Black	MATERIAL: Steel HSS	SHEET(S): 3 / 3	PROJECT: SPXTIN2226