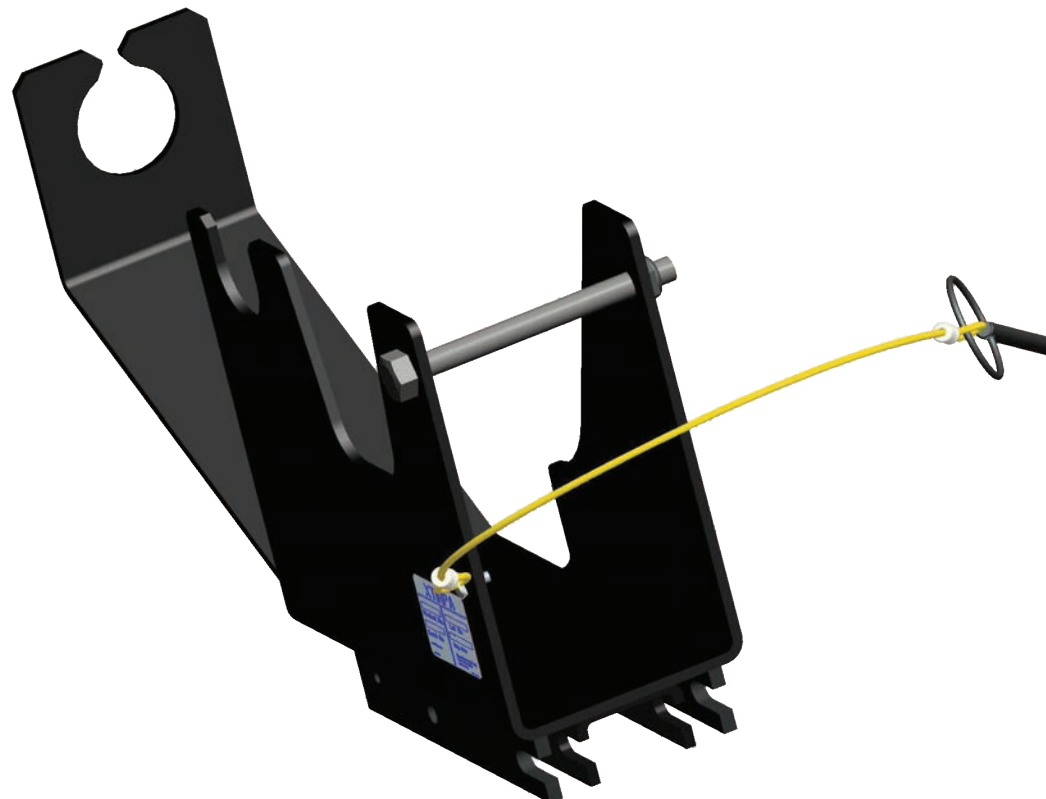


SPXTIN2231: Support for Winch IKAR 205G-100



SpanSet Australia Ltd

13 Pullman Place
Emu Plains
NSW 2750
Australia

Telephone

+61 2 4735 3955

Fax

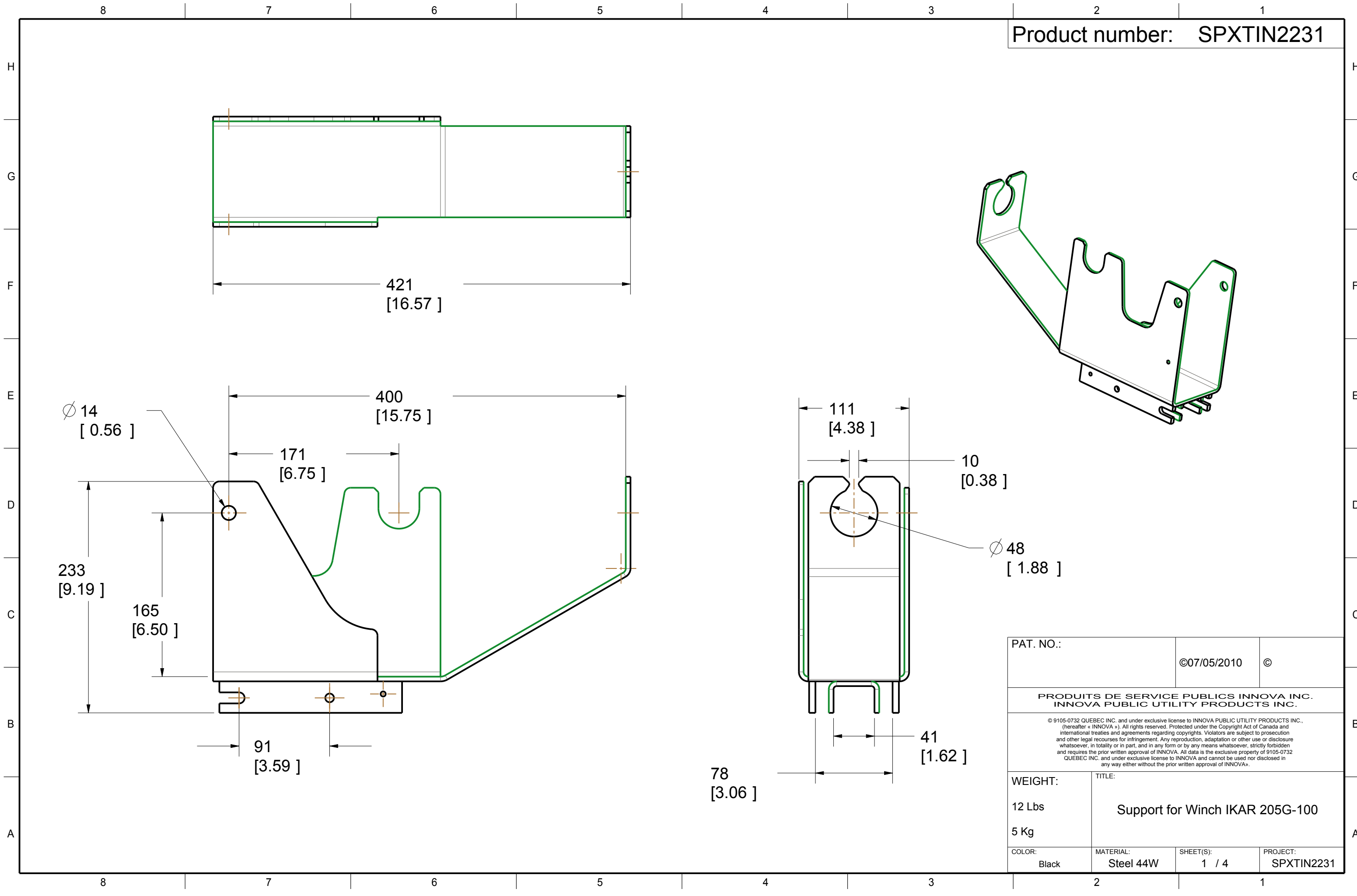
+61 2 4735 3630

E-mail

sales@spanset.com.au

Internet

www.spanset.com.au



PAT. NO.:		©07/05/2010 ©	
PRODUITS DE SERVICE PUBLICS INNOVA INC. INNOVA PUBLIC UTILITY PRODUCTS INC.			
<small>© 9105-0732 QUEBEC INC. and under exclusive license to INNOVA PUBLIC UTILITY PRODUCTS INC. (hereafter « INNOVA »). All rights reserved. Protected under the Copyright Act of Canada and international treaties and agreements regarding copyrights. Violators are subject to prosecution and other legal recourses for infringement. Any reproduction, adaptation or other use or disclosure whatsoever, in totality or in part, and in any form or by any means whatsoever, strictly forbidden and requires the prior written approval of INNOVA. All data is the exclusive property of 9105-0732 QUEBEC INC. and under exclusive license to INNOVA and cannot be used nor disclosed in any way either without the prior written approval of INNOVA.</small>			
WEIGHT:	TITLE:		
12 Lbs	Support for Winch IKAR 205G-100		
5 Kg			
COLOR:	MATERIAL:	SHEET(S):	PROJECT:
Black	Steel 44W	1 / 4	SPXTIN2231

8

7

6

5

4

3

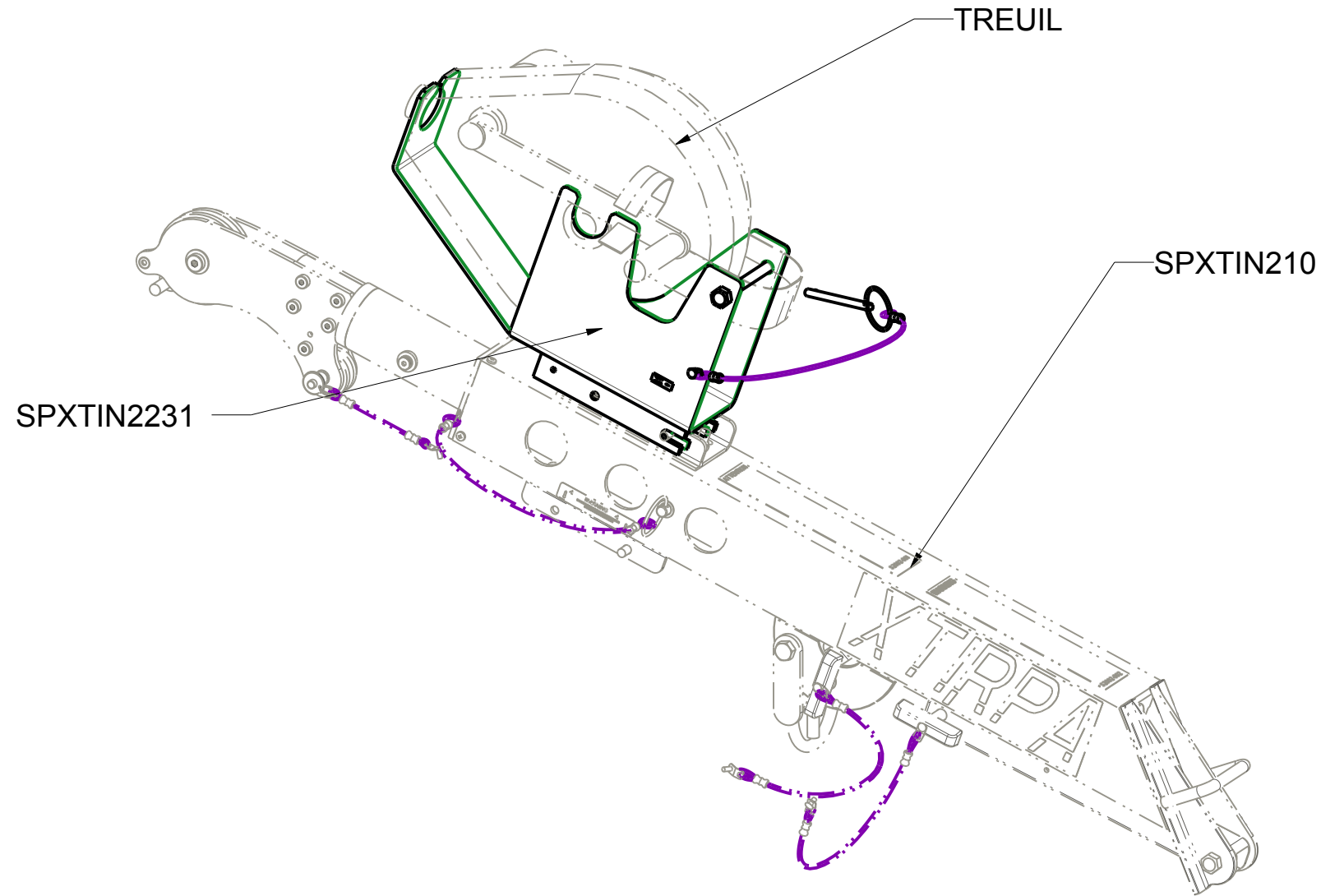
2

1

Product number: SPXTIN2231

H
G
F
E
D
C
B
A

H
G
F
E
D
C
B
A



PAT. NO.:		©07/05/2010	©
PRODUITS DE SERVICE PUBLICS INNOVA INC. INNOVA PUBLIC UTILITY PRODUCTS INC.			
<small>© 9105-0732 QUEBEC INC. and under exclusive license to INNOVA PUBLIC UTILITY PRODUCTS INC., (hereafter « INNOVA »). All rights reserved. Protected under the Copyright Act of Canada and international treaties and agreements regarding copyrights. Violators are subject to prosecution and other legal recourses for infringement. Any reproduction, adaptation or other use or disclosure whatsoever, in totality or in part, and in any form or by any means whatsoever, strictly forbidden and requires the prior written approval of INNOVA. All data is the exclusive property of 9105-0732 QUEBEC INC. and under exclusive license to INNOVA and cannot be used nor disclosed in any way either without the prior written approval of INNOVA.</small>			
WEIGHT:	TITLE:		
12 Lbs	Support for Winch IKAR 205G-100		
5 Kg			
COLOR:	MATERIAL:	SHEET(S):	PROJECT:
Black	Steel 44W	2 / 4	SPXTIN2231

8

7

6

5

4

3

2

1

8 7 6 5 4 3 2 1

SPECIFICATIONS

H This product is man rated with a maximum working capacity of 360lbs (164kg). It is only to be used in conjunction with personal fall arrest equipment that limits the maximum arrerst force (MAF).

G Maximum Working Load (user + equipment) : 164 kg (360 lbs)
Maximum Design Load : 1640 kg (3600 lbs)

F STANDARDS

Meets the following standards:
F OSHA Personal fall arrest system - 1910.66 App C
ANSI Safety requirements for personal fall arrest system, subsystems and components Z359.1 (R1999)
E CAN/CSA Fall arresters, vertical lifelines, and rails Z259.2.1-98

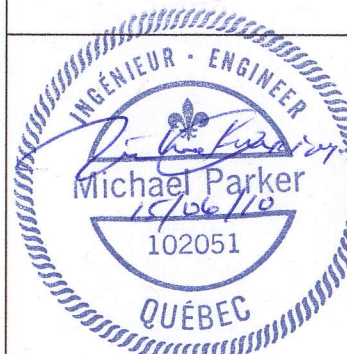
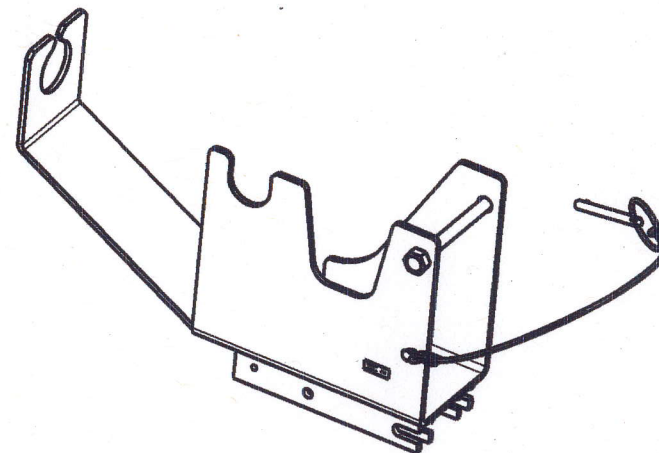
D MATERIAL AND CONSTRUCTION

Body and supports : Steel 44W
Hardware :Gr.5 Zinc plated Steel
Pin : Zinc plated Steel
Lanyard : Nylon covered Steel Cable
Finish : Black powder paint with metal protection base.
Welding Certification : CSA W59 & W47.1, AWS D1.6

C RESTRICTIONS

IMPORTANT :
The mounting pin and hardware must always be in place at all times.
Always use the manufacturers original pin and hardware. No substitutes.
B Winch adaptors are designed to function only with Innova public utility products INC. equipment.
Periodic inspections of winch adaptors must be done to ensure personnel safety.
A All equipment and hardware must be inspected before re-using by qualified personnel when a fall has accured.

Product number : SPXTIN2231



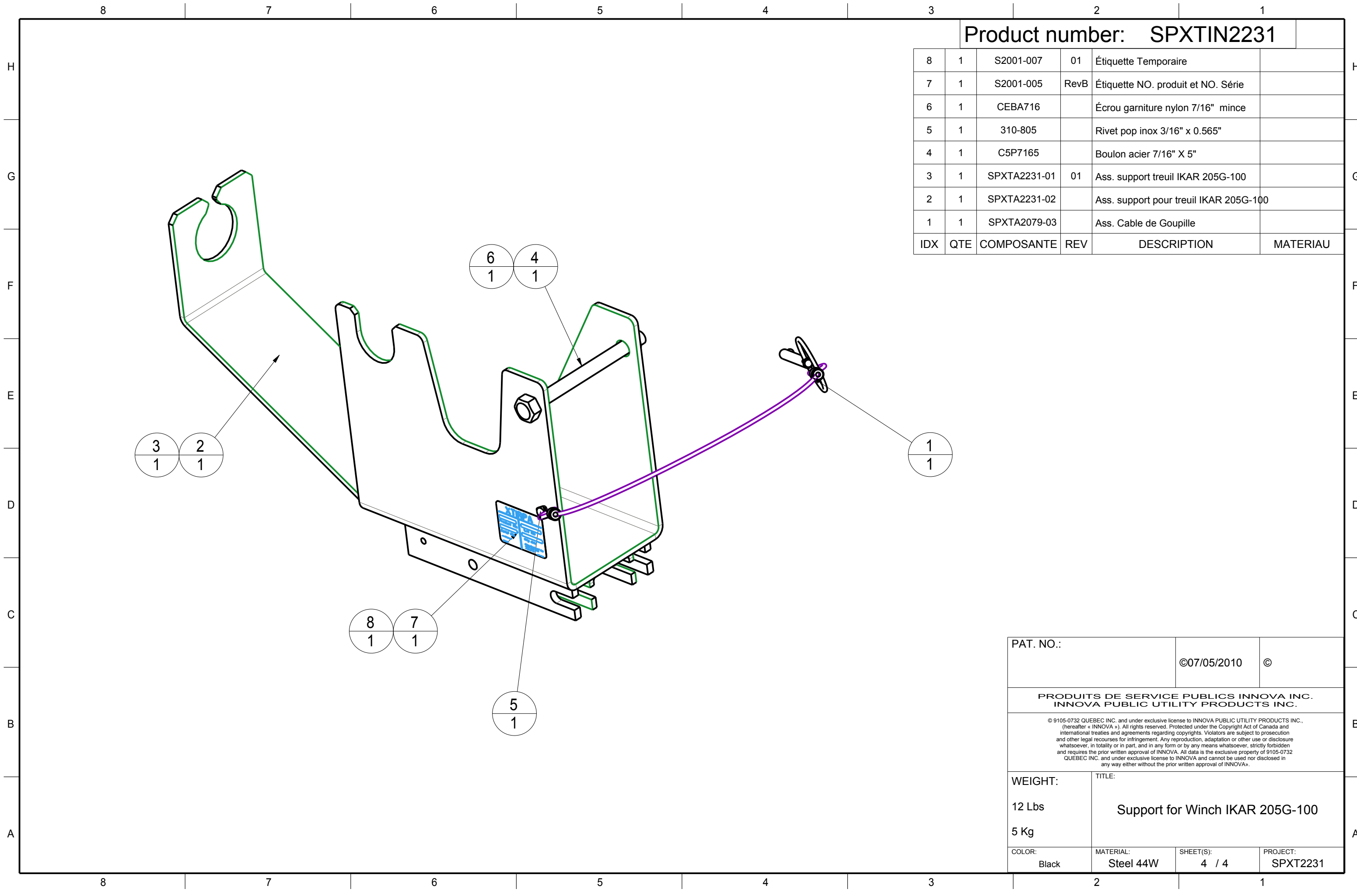
Stamping space

PAT. NO. :	607/05/2010	6
------------	-------------	---

PRODUITS DE SERVICE PUBLICS INNOVA INC.
INNOVA PUBLIC UTILITY PRODUCTS INC.

© 0105-0732 QUEBEC INC. and under exclusive license to INNOVA PUBLIC UTILITY PRODUCTS INC., (hereafter : INNOVA). All rights reserved. Protected under the Copyright Act of Canada and international treaties and agreements regarding copyrights. Violators are subject to prosecution and other legal recourse for infringement. Any reproduction, adaptation or other use or disclosure whatsoever, in totality or in part, and in any form or by any means whatsoever, strictly forbidden and requires the prior written approval of INNOVA. All data is the exclusive property of 0105-0732 QUEBEC INC. and under exclusive license to INNOVA and cannot be used nor disclosed in any way either without the prior written approval of INNOVA.

WEIGHT :	TITLE :		
12 Lbs	Support for Winch IKAR 205G-100		
5 Kg			
COLOR :	MATERIAL :	SHEET(S) :	PROJECT :
Black	Steel 44W	3 / 4	SPXTIN2231



Product number: **SPXTIN2231**

IDX	QTE	COMPOSANTE	REV	DESCRIPTION	MATERIAU
8	1	S2001-007	01	Étiquette Temporaire	
7	1	S2001-005	RevB	Étiquette NO. produit et NO. Série	
6	1	CEBA716		Écrou garniture nylon 7/16" mince	
5	1	310-805		Rivet pop inox 3/16" x 0.565"	
4	1	C5P7165		Boulon acier 7/16" X 5"	
3	1	SPXTA2231-01	01	Ass. support treuil IKAR 205G-100	
2	1	SPXTA2231-02		Ass. support pour treuil IKAR 205G-100	
1	1	SPXTA2079-03		Ass. Cable de Goupille	

PAT. NO.:		©07/05/2010 ©	
PRODUITS DE SERVICE PUBLICS INNOVA INC. INNOVA PUBLIC UTILITY PRODUCTS INC.			
© 9105-0732 QUEBEC INC. and under exclusive license to INNOVA PUBLIC UTILITY PRODUCTS INC., (hereafter « INNOVA »). All rights reserved. Protected under the Copyright Act of Canada and international treaties and agreements regarding copyrights. Violators are subject to prosecution and other legal recourses for infringement. Any reproduction, adaptation or other use or disclosure whatsoever, in totality or in part, and in any form or by any means whatsoever, strictly forbidden and requires the prior written approval of INNOVA. All data is the exclusive property of 9105-0732 QUEBEC INC. and under exclusive license to INNOVA and cannot be used nor disclosed in any way either without the prior written approval of INNOVA.			
WEIGHT:	TITLE:		
12 Lbs	Support for Winch IKAR 205G-100		
5 Kg			
COLOR:	MATERIAL:	SHEET(S):	PROJECT:
Black	Steel 44W	4 / 4	SPXT2231