

SPXTIN2237-01: Extensible Davit-Arm 36" to 48"



SpanSet Australia Ltd

150 Old Bathurst Road
Emu Plains
NSW 2750
Australia

Telephone

+61 2 4735 3955

Fax

+61 2 4735 3630

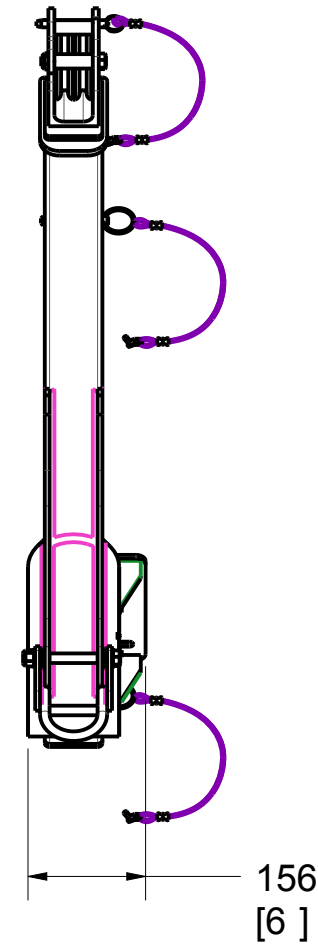
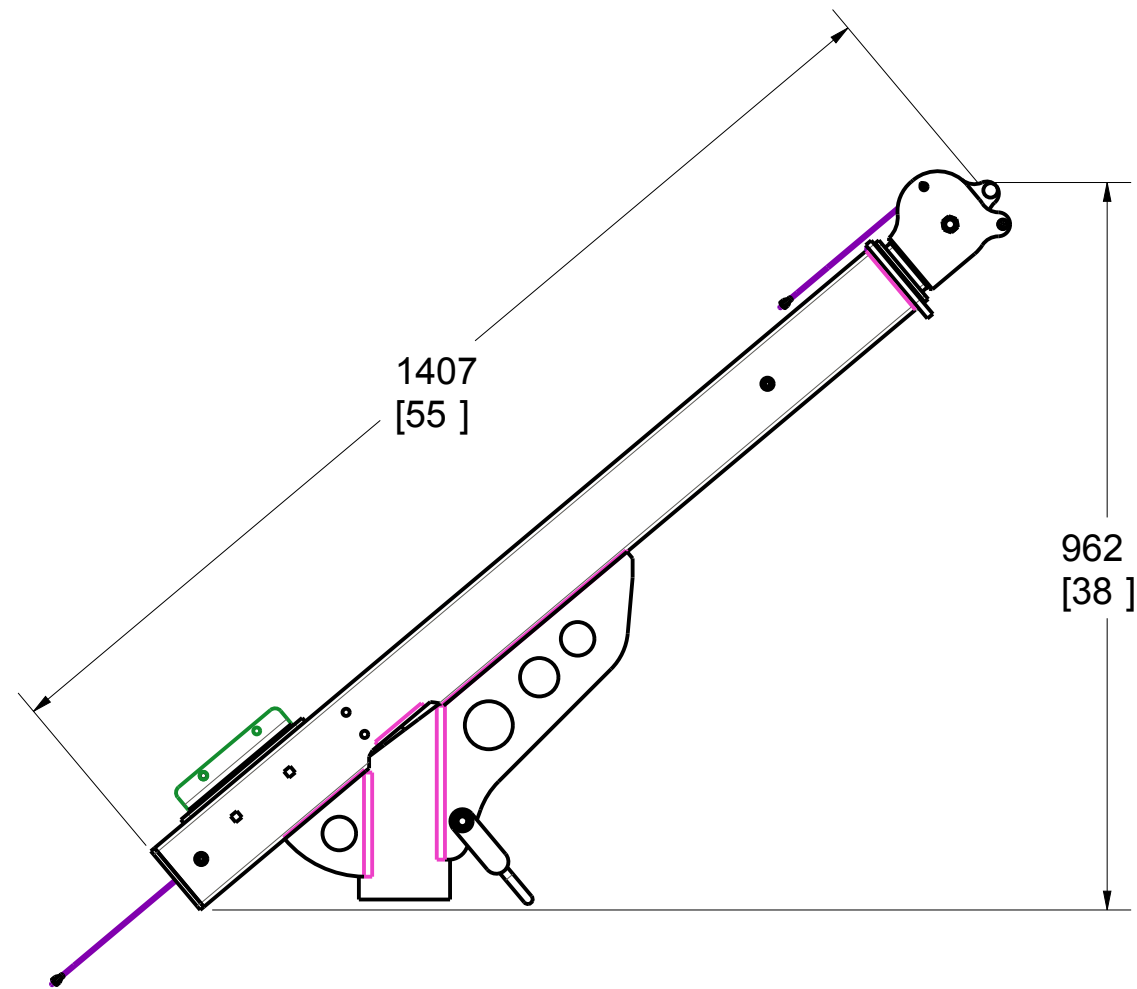
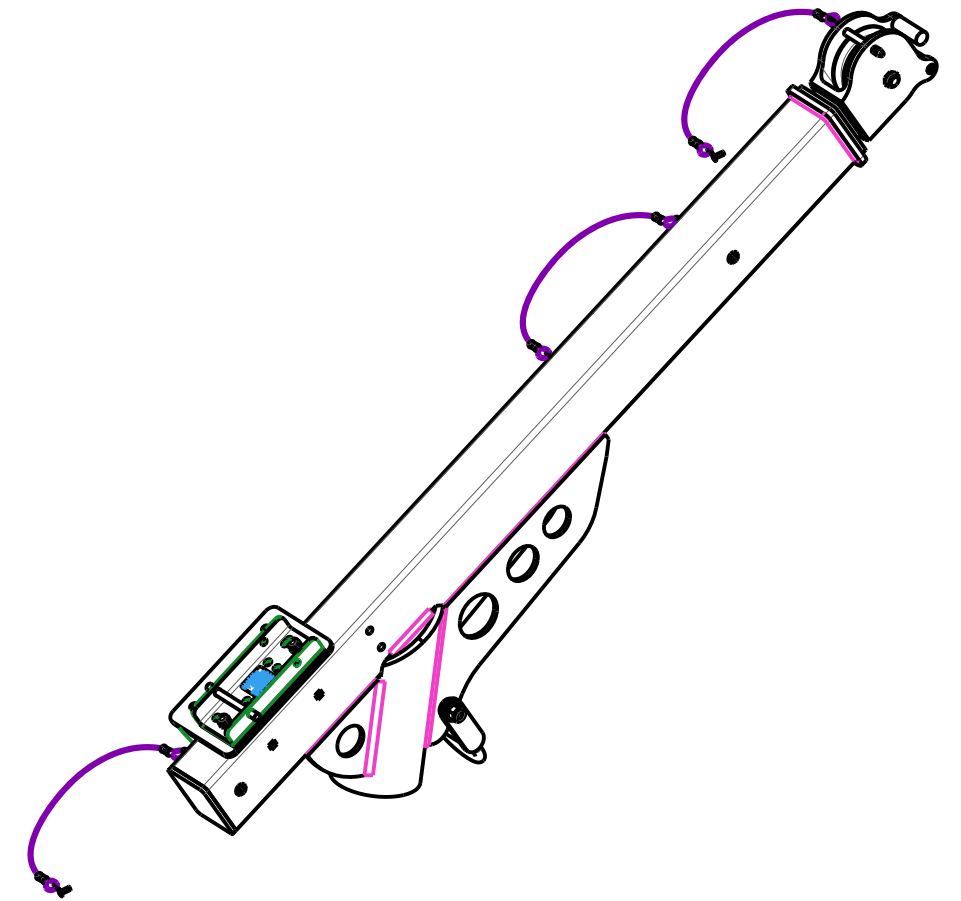
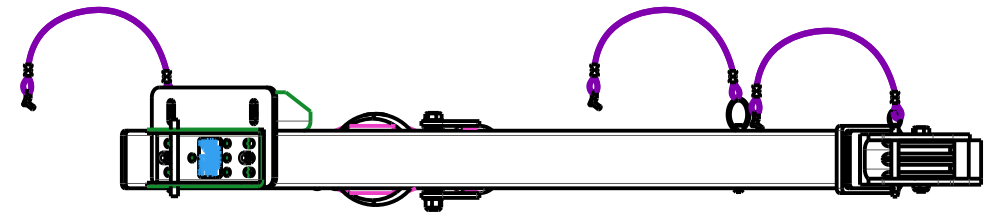
E-mail

sales@spanset.com.au

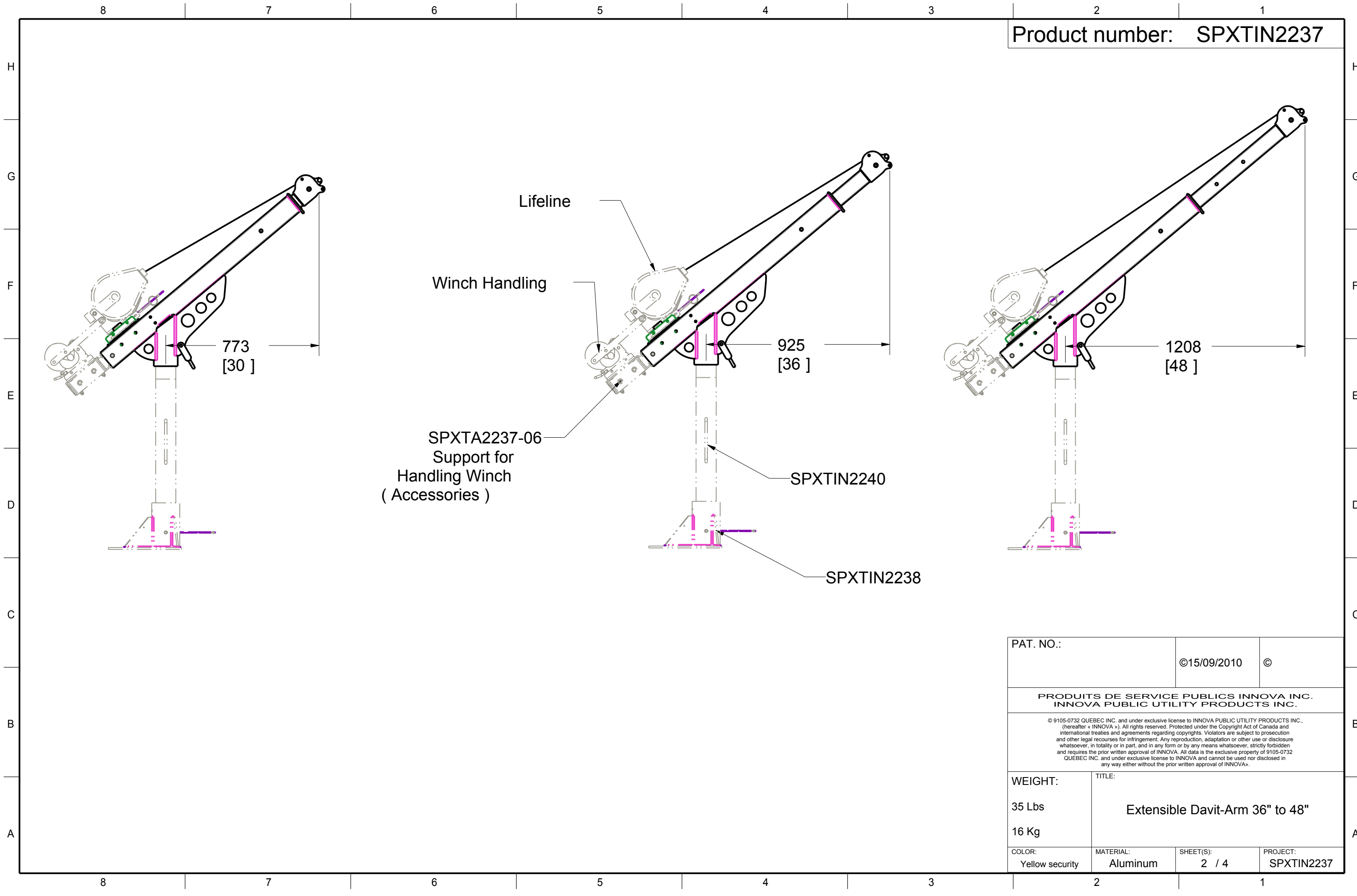
Internet

www.spanset.com.au

Product number: SPXTIN2237



PAT. NO.:		©15/09/2010	©
PRODUITS DE SERVICE PUBLICS INNOVA INC. INNOVA PUBLIC UTILITY PRODUCTS INC.			
© 9105-0732 QUEBEC INC. and under exclusive license to INNOVA PUBLIC UTILITY PRODUCTS INC., (hereafter « INNOVA »). All rights reserved. Protected under the Copyright Act of Canada and international treaties and agreements regarding copyrights. Violators are subject to prosecution and other legal recourses for infringement. Any reproduction, adaptation or other use or disclosure whatsoever, in totality or in part, and in any form or by any means whatsoever, strictly forbidden and requires the prior written approval of INNOVA. All data is the exclusive property of 9105-0732 QUEBEC INC. and under exclusive license to INNOVA and cannot be used nor disclosed in any way either without the prior written approval of INNOVA.			
WEIGHT:	TITLE:		
35 Lbs	Extensible Davit-Arm 36" to 48"		
16 Kg			
COLOR:	MATERIAL:	SHEET(S):	PROJECT:
Yellow security	Aluminum	1 / 4	SPXTIN2237



PAT. NO.:		©15/09/2010	©
PRODUITS DE SERVICE PUBLICS INNOVA INC. INNOVA PUBLIC UTILITY PRODUCTS INC.			
© 9105-0732 QUEBEC INC. and under exclusive license to INNOVA PUBLIC UTILITY PRODUCTS INC., (hereafter « INNOVA »). All rights reserved. Protected under the Copyright Act of Canada and international treaties and agreements regarding copyrights. Violators are subject to prosecution and other legal recourses for infringement. Any reproduction, adaptation or other use or disclosure whatsoever, in totality or in part, and in any form or by any means whatsoever, strictly forbidden and requires the prior written approval of INNOVA. All data is the exclusive property of 9105-0732 QUEBEC INC. and under exclusive license to INNOVA and cannot be used nor disclosed in any way either without the prior written approval of INNOVA.			
WEIGHT:	TITLE:		
35 Lbs	Extensible Davit-Arm 36" to 48"		
16 Kg			
COLOR:	MATERIAL:	SHEET(S):	PROJECT:
Yellow security	Aluminum	2 / 4	SPXTIN2237

Product number: SPXTIN2237

SPECIFICATIONS

H This product is man rated and shall be used in conjunction with Fall Arrest Equipment which limits the maximum arrest force (MAF)

Working load (mass) :
 With Lifeline Winch or material handling Winch
 With mast SPXTIN2240 : 164kg (360lbs)

G Max Design Capacity with lifeline winch or material handling Winch
 With mast SPXTIN2240 16014 N (3600 lbs)

Max Capacity of anchor point: 22241 N (5000 lbf)

STANDARDS

Meets the following standards:
 OSHA Personal fall arrest system: 1910.66 App C
 ANSI Safety requirements for personal fall arrest system, Subsystems and components Z359.1 - 2007
 CAN/CSA Fall arresters, vertical lifelines, and rails Z259.2.1-98

MATERIAL AND CONSTRUCTION

D Extension and guide tubes: Aluminum 6061-T6
 Anchorage hooks: 304 Stainless Steel
 Hardware: Zinc plated steel
 Guide tube sliders: UHMW
 Pulley: Black Acetal
 Finish: Yellow security powder point with metal protection base.

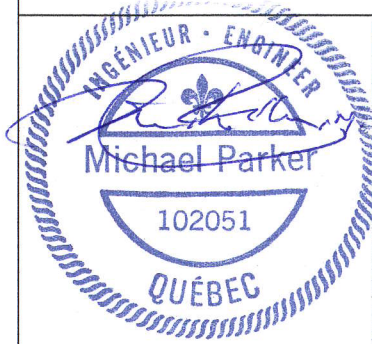
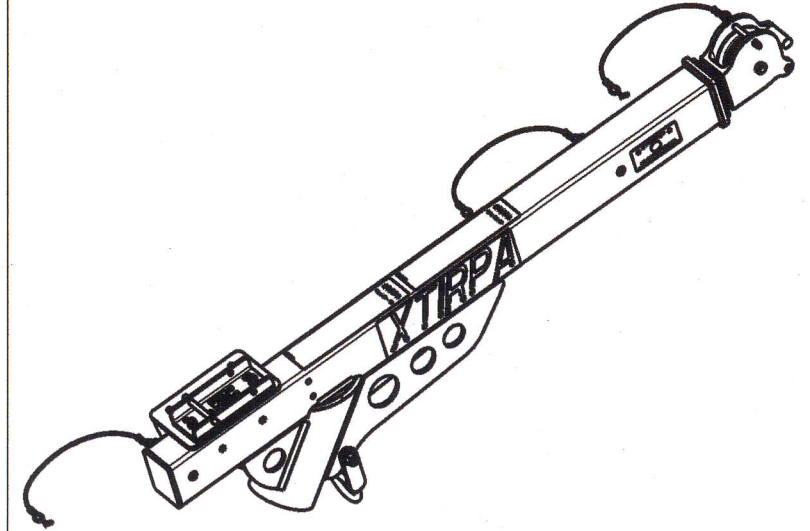
C Welding Certification: CSA W47.2M and CSA W47.1

RESTRICTIONS

B This product is to be used only with products approved by Innova public Utility products INC.
 Always use the positioning pins.

Important:

A Periodic inspections of hardware must be done.
 All equipment and hardware must be inspected before re-using by qualified personnel when a fall has occurred.



PAT. NO. :		©15/09/2010 ©	
PRODUITS DE SERVICE PUBLICS INNOVA INC. INNOVA PUBLIC UTILITY PRODUCTS INC.			
<small>© 9185-0732 QUEBEC INC. and under exclusive license to INNOVA PUBLIC UTILITY PRODUCTS INC., (Inventeur : INNOVA). All rights reserved. Protected under the Copyright Act of Canada and international treaties and agreements regarding copyrights. Violators are subject to prosecution and other legal resources for infringement. Any reproduction, adaptation or other use or disclosure whatsoever, in totality or in part, and in any form or by any means whatsoever, strictly forbidden and requires the prior written approval of INNOVA. All data is the exclusive property of 9185-0732 QUEBEC INC. and under exclusive license to INNOVA and cannot be used nor disclosed in any way either without the prior written approval of INNOVA.</small>			
WEIGHT:	TITLE:		
35 Lbs	Extensible Davit-Arm 36" to 48"		
16 Kg			
COLOR:	MATERIAL:	SHEET(S):	PROJECT:
Yellow security	Aluminum	3 / 4	SPXTIN2237

Stamping space
23/11/10

Product number: SPXTIN2237

QTE	COMPOSANTE	REV	DESCRIPTION	MATERIAU	
17	1	S2197-006	revA	Étiquette "Attention" Potence 96"	
16	1	S2197-003	RevA	Étiquette "ATTENTION" Potence	
15	1	HN-2035		Écrou garniture nylon 1/2-13	
14	1	SPXTA2197-12		Support pour plaque de potence	
13	2	W-2041		Rondelle Inox 1/2"	
12	3	310-805		Rivet pop inox 3/16" x 0.565"	
11	2	S2002-003	01	Logo SpanSet Xtirpa	
10	1	233-290		Goupille acier 3/8" x 3.0"	
9	1	SPXTA2002-05		Crochet de suspension	
8	4	BC5P38114		Boulon à carrosserie 3/8-16 x 1 1/4"	
7	1	HC-84		Boulon acier 1/2-13 4 1/2"	
6	1	SPXTA2237-04		Ass. tube d'extention	
5	1	SPXTA2237-02		Ass. soudé potence	
4	1	SPXTA2237-01		Ass. potence extensible 36" à 48"	
3	1	SPXTA2002-22N	01	Ass. plaque de Fixation	
2	1	SPXTA2005-03		Ass. du Cable	
1	2	SPXTA2126-04		Ass. cable et goupille	
IDX	QTE	COMPOSANTE	REV	DESCRIPTION	MATERIAU

31	1	P2002-021	04	Isolant Base Plaque	UHMW (noir)
30	1	P2237-012	01	Chemise pour potence	PVC GRIS
29	2	P2002-026	01	Rondelle	Delrin noir
28	1	P2237-019		Plaque de fond	Acetal delrin noir
27	1	P2237-013		Guide pour extention du mât	Acetal delrin noir
26	4	HN-179		Ecrou acier zinc nylon 3/8-16	
25	1	P2237-014		Cap de finition	Acetal delrin noir
24	2	658-025		Rondelle plate 3/8" (0.391" id x 1" od x .048" th) 18-8 ss	
23	1	S2001-007_PLIER		Étiquette temporaire	
22	1	S2001-005_PLIER	RevB	Étiquette NO. produit et NO. Série	
21	1	S2237-002	RevA	Étiquette Inst. Xtirpa Potence 36" à 48"	
20	1	S2237-001	RevA	Étiquette Inst. Xtirpa Potence 36" À 48"	
19	1	S2197-007	revA	Étiquette "Warning" Davit-Arm 96"	
18	1	S2197-004	RevA	Étiquette "WARNING" DAVIT-ARM	

PAT. NO.: ©15/09/2010 ©

**PRODUITS DE SERVICE PUBLICS INNOVA INC.
INNOVA PUBLIC UTILITY PRODUCTS INC.**

© 9105-0732 QUEBEC INC. and under exclusive license to INNOVA PUBLIC UTILITY PRODUCTS INC., (hereafter « INNOVA »). All rights reserved. Protected under the Copyright Act of Canada and international treaties and agreements regarding copyrights. Violators are subject to prosecution and other legal recourses for infringement. Any reproduction, adaptation or other use or disclosure whatsoever, in totality or in part, and in any form or by any means whatsoever, strictly forbidden and requires the prior written approval of INNOVA. All data is the exclusive property of 9105-0732 QUEBEC INC. and under exclusive license to INNOVA and cannot be used nor disclosed in any way either without the prior written approval of INNOVA.

WEIGHT: 35 Lbs / 16 Kg

TITLE: **Extensible Davit-Arm 36" to 48"**

COLOR: Yellow security MATERIAL: Aluminum SHEET(S): 4 / 4 PROJECT: SPXTIN2237

