

SPXTIN2240-01: Mast for Extensible Davit Arm 36" to 48"



SpanSet Australia Ltd

150 Old Bathurst Road
Emu Plains
NSW 2750
Australia

Telephone

+61 2 4735 3955

Fax

+61 2 4735 3630

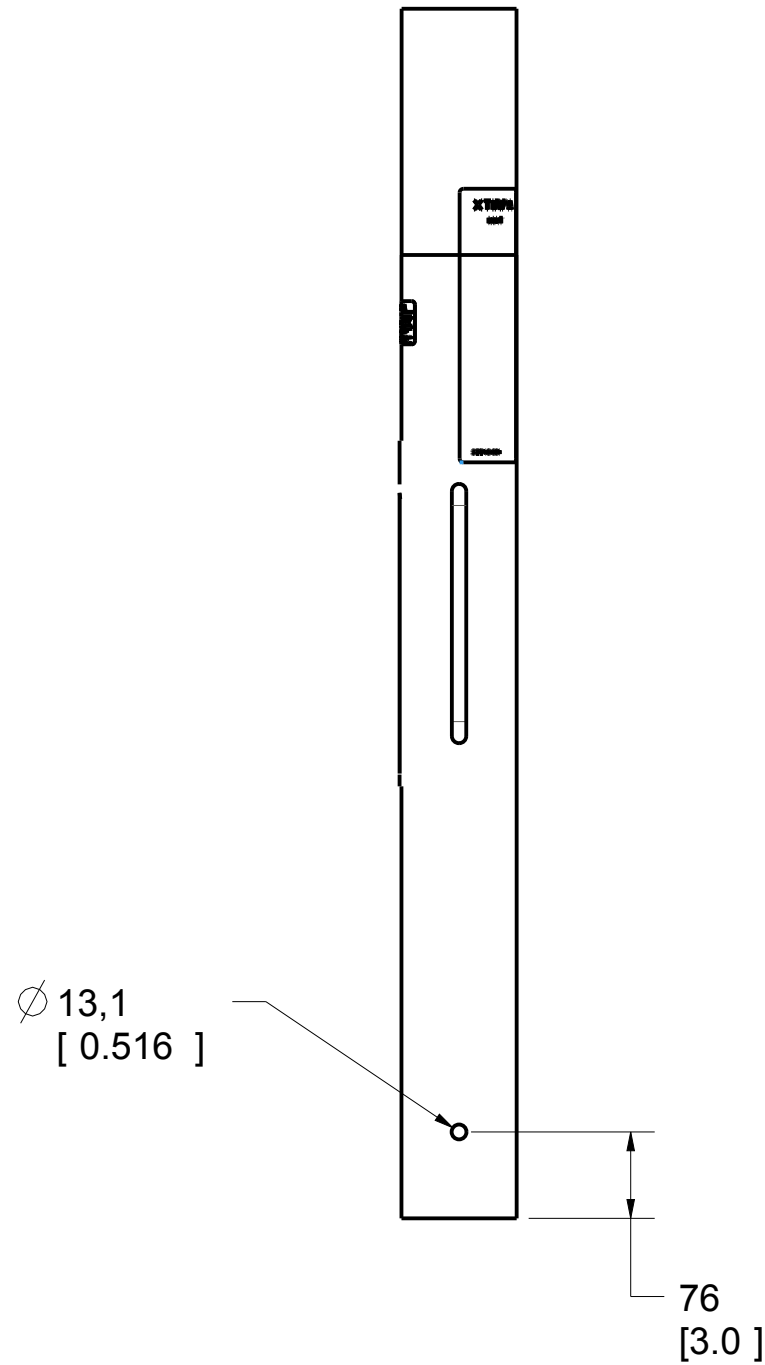
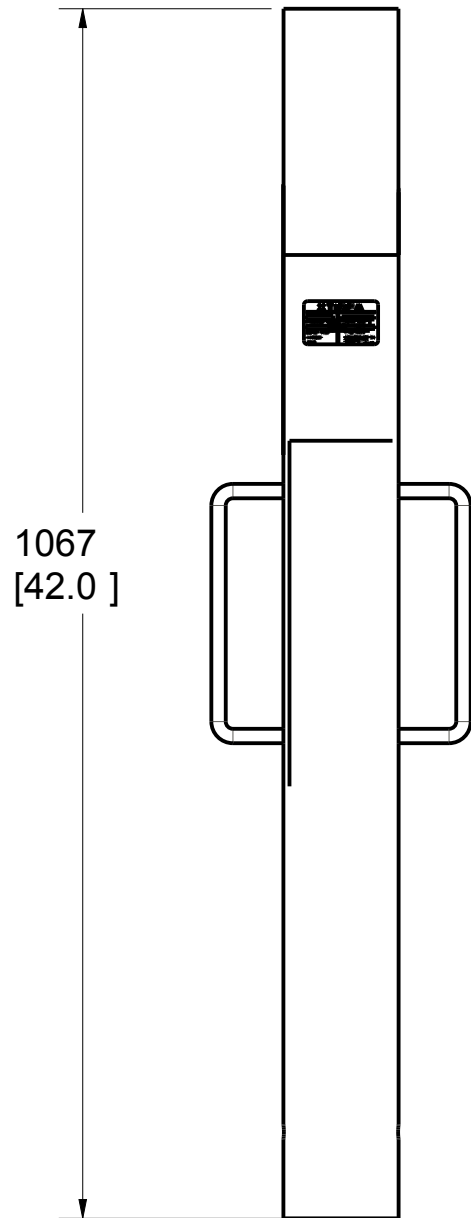
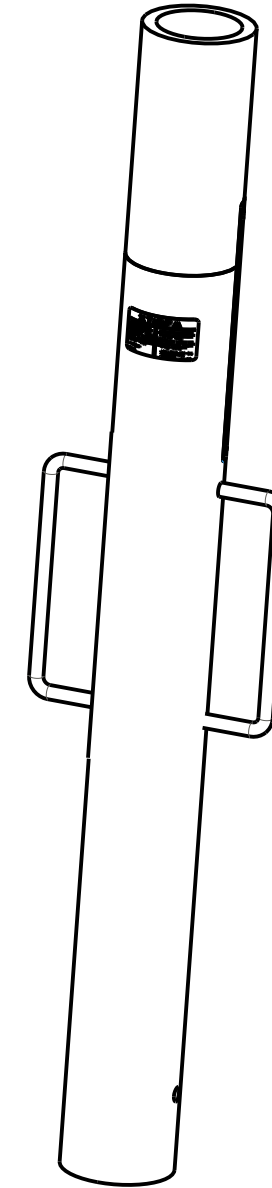
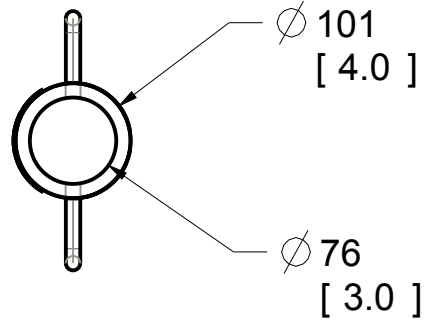
E-mail

sales@spanset.com.au

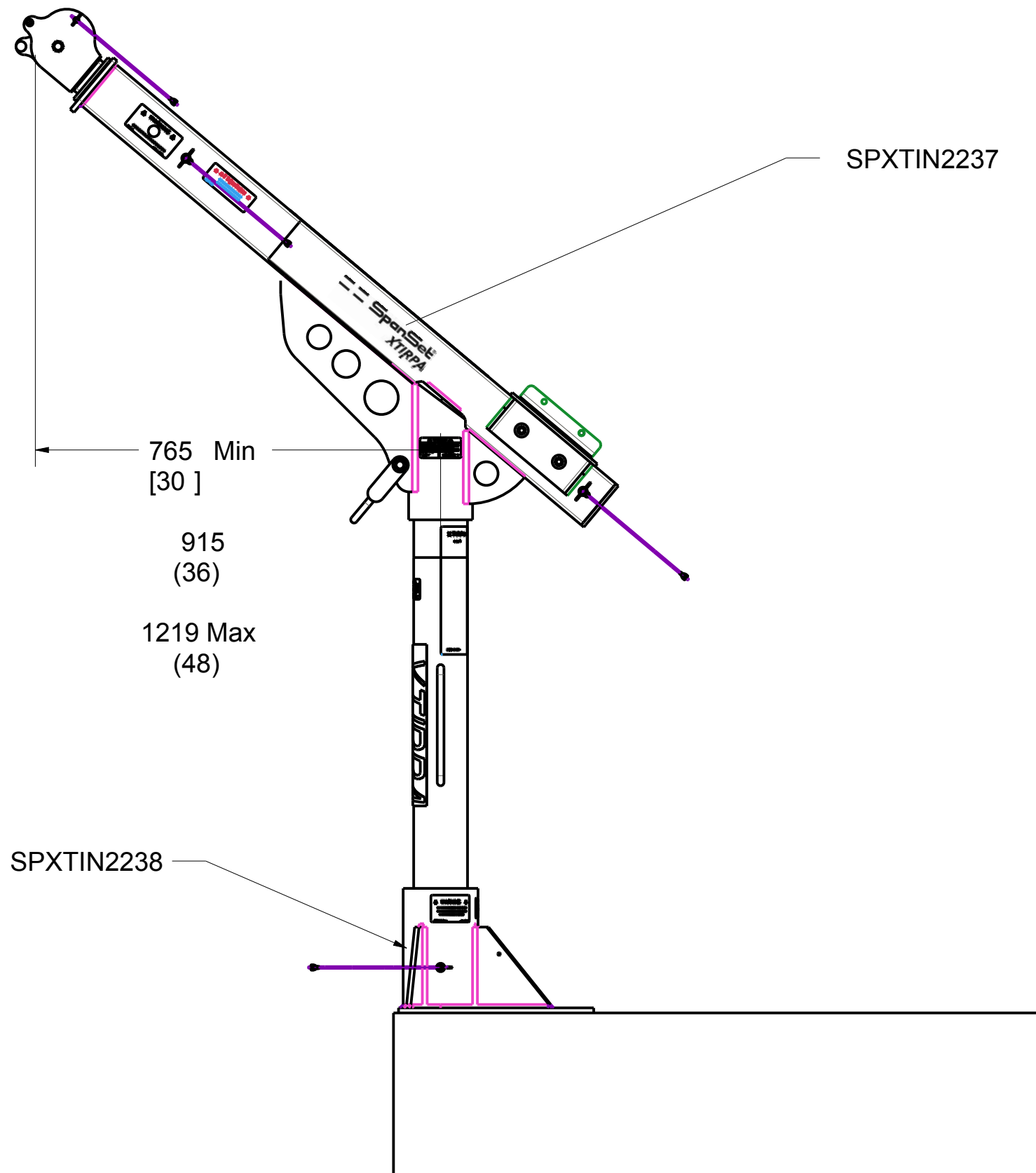
Internet

www.spanset.com.au

Product number: SPXTIN2240



PAT. NO.:		©06/10/2010	©
PRODUITS DE SERVICE PUBLICS INNOVA INC. INNOVA PUBLIC UTILITY PRODUCTS INC.			
<small>© 9105-0732 QUEBEC INC. and under exclusive license to INNOVA PUBLIC UTILITY PRODUCTS INC., (hereafter « INNOVA »). All rights reserved. Protected under the Copyright Act of Canada and international treaties and agreements regarding copyrights. Violators are subject to prosecution and other legal recourses for infringement. Any reproduction, adaptation or other use or disclosure whatsoever, in totality or in part, and in any form or by any means whatsoever, strictly forbidden and requires the prior written approval of INNOVA. All data is the exclusive property of 9105-0732 QUEBEC INC. and under exclusive license to INNOVA and cannot be used nor disclosed in any way either without the prior written approval of INNOVA.</small>			
WEIGHT:	TITLE:		
25 Lbs	Mast for extensible Davit-Arm		
11 Kg	36" to 48"		
COLOR:	MATERIAL:	SHEET(S):	PROJECT:
Yellow security	Aluminum	1 / 4	SPXTIN2240



PAT. NO.:		©06/10/2010	©
PRODUITS DE SERVICE PUBLICS INNOVA INC. INNOVA PUBLIC UTILITY PRODUCTS INC.			
<small>© 9105-0732 QUEBEC INC. and under exclusive license to INNOVA PUBLIC UTILITY PRODUCTS INC., (hereafter « INNOVA »). All rights reserved. Protected under the Copyright Act of Canada and international treaties and agreements regarding copyrights. Violators are subject to prosecution and other legal recourses for infringement. Any reproduction, adaptation or other use or disclosure whatsoever, in totality or in part, and in any form or by any means whatsoever, strictly forbidden and requires the prior written approval of INNOVA. All data is the exclusive property of 9105-0732 QUEBEC INC. and under exclusive license to INNOVA and cannot be used nor disclosed in any way either without the prior written approval of INNOVA.</small>			
WEIGHT:	TITLE:		
25 Lbs	Mast for extensible Davit-Arm 36" to 48"		
11 Kg			
COLOR:	MATERIAL:	SHEET(S):	PROJECT:
Yellow security	Aluminum	2 / 4	SPXTIN2240

SPECIFICATIONS

Max Working load (mass):
 With Davit-Arm SPXTIN2237 : 360 lb (164 kg)
 Max working moment with Davit-Arm SPXTIN2237 : 17,280 lb-in (1,952 N-m)

Max design capacity: with Davit-Arm SPXTIN2237 : 3600 lbf (16014 N)
 Max design moment with Davit-Arm SPXTIN2237 : 172,800 lb-in (19,524 N-m)

STANDARDS

Meets the following standards:
 OSHA Personal fall arrest system - 1910.66 App C
 ANSI Safety requirements for personal fall arrest system,
 subsystems and components Z359.1 - 2007
 CAN/CSA Fall arresters, vertical lifelines, and rails Z259.2.1-98

MATERIAL AND CONSTRUCTION

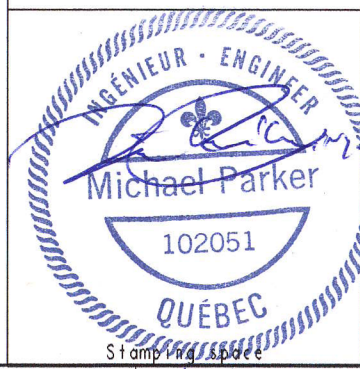
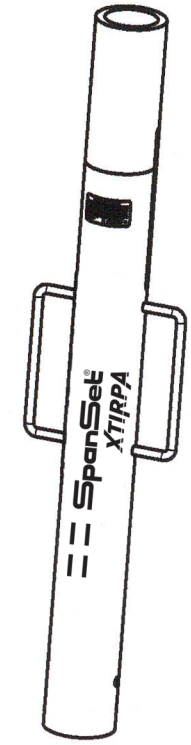
Mast : Aluminum 6061-T6
 Handle : Aluminum 6061-T6
 Finish : Yellow security powder paint with metal protection base.
 Welding certification: CSA W47,2M

RESTRICTIONS

This product is to be used only with products approved by Innova utility products INC.

Important:
 This product is man rated with a maximum working capacity of 360lbs (164kg).
 It is only to be used in conjunction with personal fall arrest equipment
 that limits the maximum arrest force (MAF).

Product number : SPXTIN2240

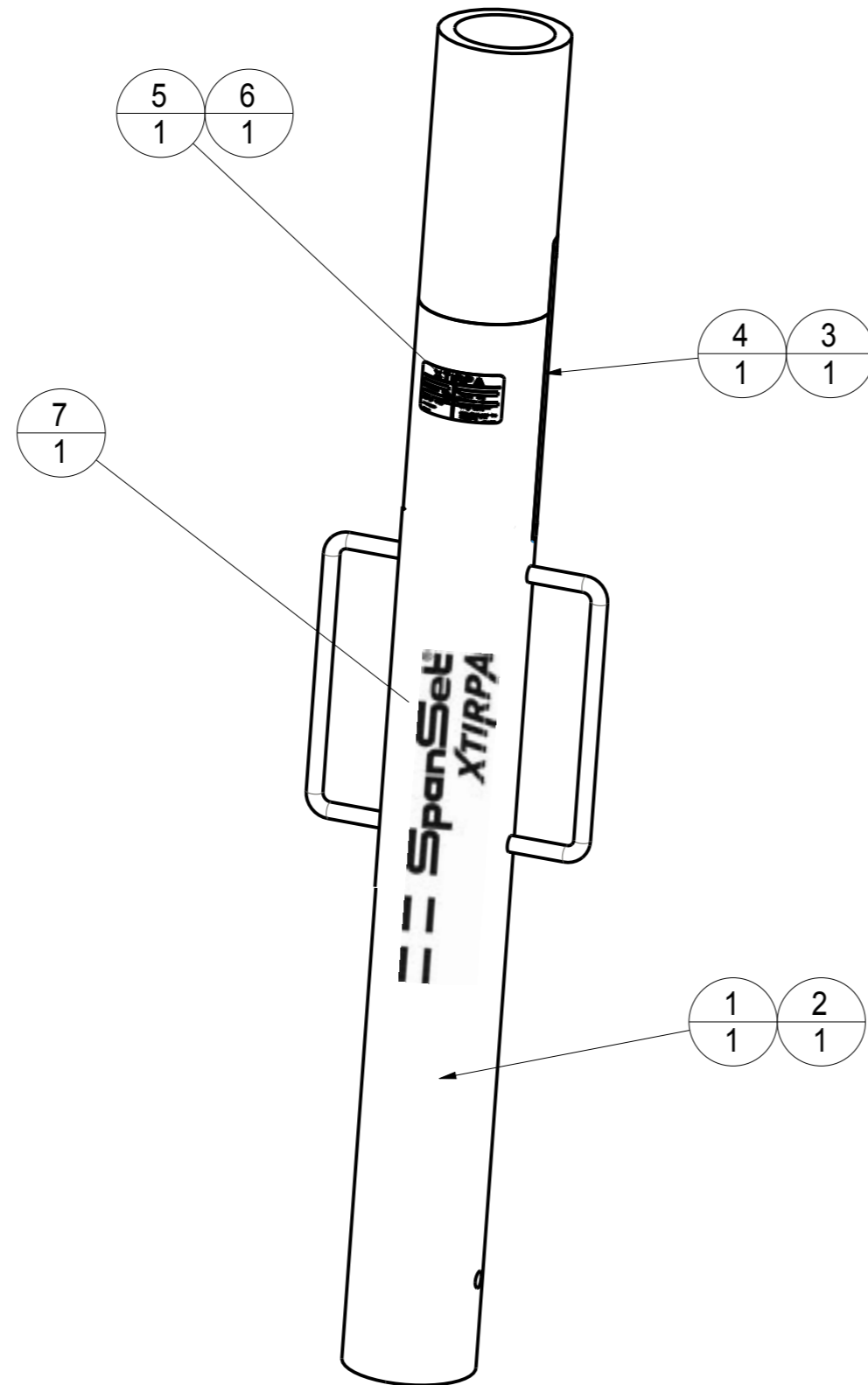


Stamping place
 25/11/10

PAT. NO. :	006/10/2010	0
PRODUITS DE SERVICE PUBLICS INNOVA INC. INNOVA PUBLIC UTILITY PRODUCTS INC.		
<small>© 9105-0732 QUEBEC INC. and under exclusive license to INNOVA PUBLIC UTILITY PRODUCTS INC., hereafter "INNOVA". All rights reserved. Protected under the Copyright Act of Canada and international treaties and agreements regarding copyright. Violators are subject to prosecution and other legal recourse for infringement. Any reproduction, adaptation or other use or disclosure of this document, in total or in part, and in any form or by any means whatsoever, strictly forbidden without the prior written approval of INNOVA. All data is the exclusive property of 9105-0732 QUEBEC INC. and under exclusive license to INNOVA and cannot be used or disclosed in any way either without the prior written approval of INNOVA.</small>		
WEIGHT:	TITLE:	
25 Lbs	Mast for extensible Davit-Arm	
11 Kg	36" to 48"	
COLOR:	MATERIAL:	SHEET(S):
Yellow security	Aluminum	3 / 4
PROJECT:		
SPXTIN2240		

Product number: **SPXTIN2240**

7	1	S2002-003_PLIER		Logo XTIRPA	Vinyle clear
6	1	S2001-007_PLIER		Étiquette temporaire	
5	1	S2001-005_PLIER	RevB	Étiquette NO. produit et NO. Série	
4	1	S2240-001	RevA	Étiquette Instruction pour Mât	
3	1	S2240-002	RevA	Étiquette Instruction Mast	
2	1	SPXTA2240-01		Mât pout potence 36" à 48"	
1	1	SPXTA2240-02		Ass. soudé Mât 36" à 48"	
IDX	QTE	COMPOSANTE	REV	DESCRIPTION	MATERIAU

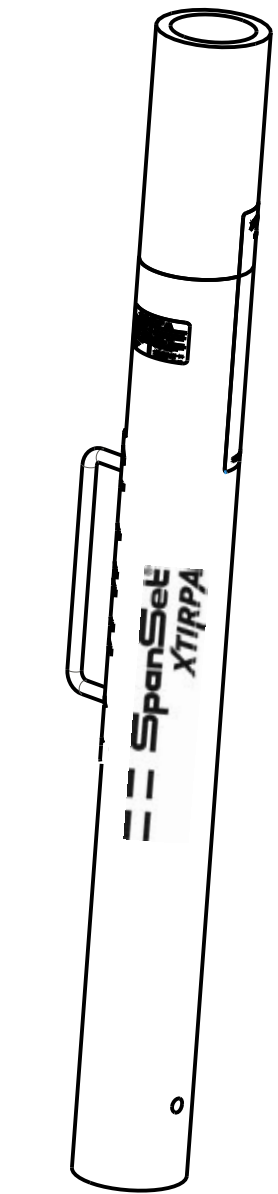


PAT. NO.:		©06/10/2010	©
PRODUITS DE SERVICE PUBLICS INNOVA INC. INNOVA PUBLIC UTILITY PRODUCTS INC.			
© 9105-0732 QUEBEC INC. and under exclusive license to INNOVA PUBLIC UTILITY PRODUCTS INC., (hereafter « INNOVA »). All rights reserved. Protected under the Copyright Act of Canada and international treaties and agreements regarding copyrights. Violators are subject to prosecution and other legal recourses for infringement. Any reproduction, adaptation or other use or disclosure whatsoever, in totality or in part, and in any form or by any means whatsoever, strictly forbidden and requires the prior written approval of INNOVA. All data is the exclusive property of 9105-0732 QUEBEC INC. and under exclusive license to INNOVA and cannot be used nor disclosed in any way either without the prior written approval of INNOVA.			
WEIGHT:	TITLE:		
25 Lbs	Mast for extensible Davit-Arm 36" to 48"		
11 Kg			
COLOR:	MATERIAL:	SHEET(S):	PROJECT:
Yellow security	Aluminum	4 / 4	SPXTIN2240

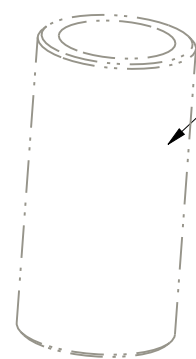
Product number: SPXTIN2240

H
G
F
E
D
C
B
A

H
G
F
E
D
C
B
A



SPXTA2201-04
Reducing cylinder 5.5" to 4.0"
(Accessory)



PAT. NO.:	©06/10/2010	©
-----------	-------------	---

PRODUITS DE SERVICE PUBLICS INNOVA INC.
INNOVA PUBLIC UTILITY PRODUCTS INC.

© 9105-0732 QUEBEC INC. and under exclusive license to INNOVA PUBLIC UTILITY PRODUCTS INC., (hereafter « INNOVA »). All rights reserved. Protected under the Copyright Act of Canada and international treaties and agreements regarding copyrights. Violators are subject to prosecution and other legal recourses for infringement. Any reproduction, adaptation or other use or disclosure whatsoever, in totality or in part, and in any form or by any means whatsoever, strictly forbidden and requires the prior written approval of INNOVA. All data is the exclusive property of 9105-0732 QUEBEC INC. and under exclusive license to INNOVA and cannot be used nor disclosed in any way either without the prior written approval of INNOVA.

WEIGHT:	TITLE:		
25 Lbs	Mast for extensible Davit-Arm 36" to 48"		
11 Kg			

COLOR:	MATERIAL:	SHEET(S):	PROJECT:
Yellow security	Aluminum	5 / 5	SPXTIN2240