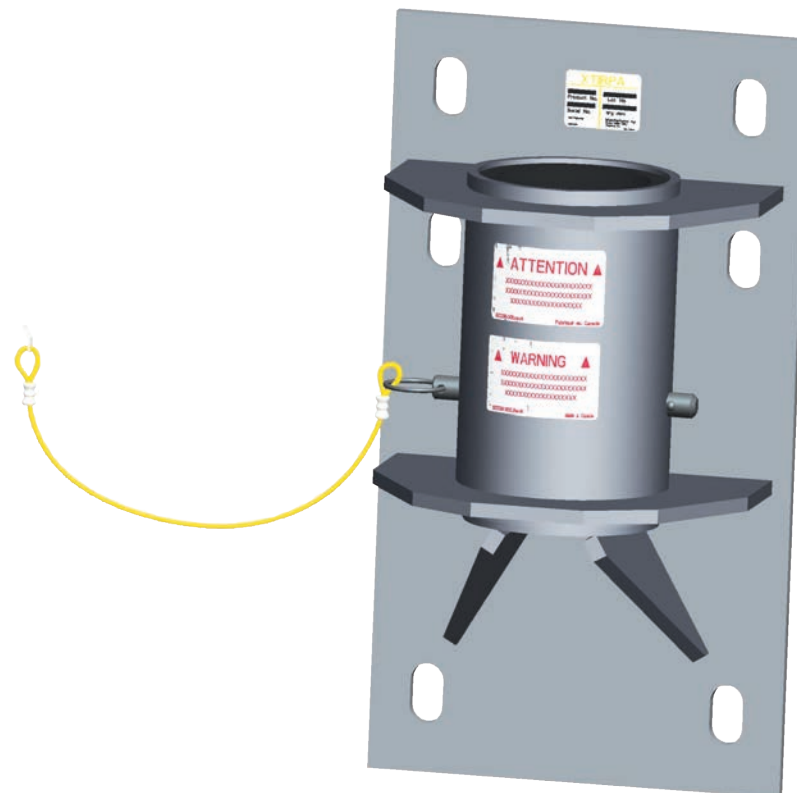


## SPXTIN2253-01: Wall Adapter for Mast 4"



### SpanSet Australia Ltd

150 Old Bathurst Road  
Emu Plains  
NSW 2750  
Australia

### Telephone

+61 2 4735 3955

### Fax

+61 2 4735 3630

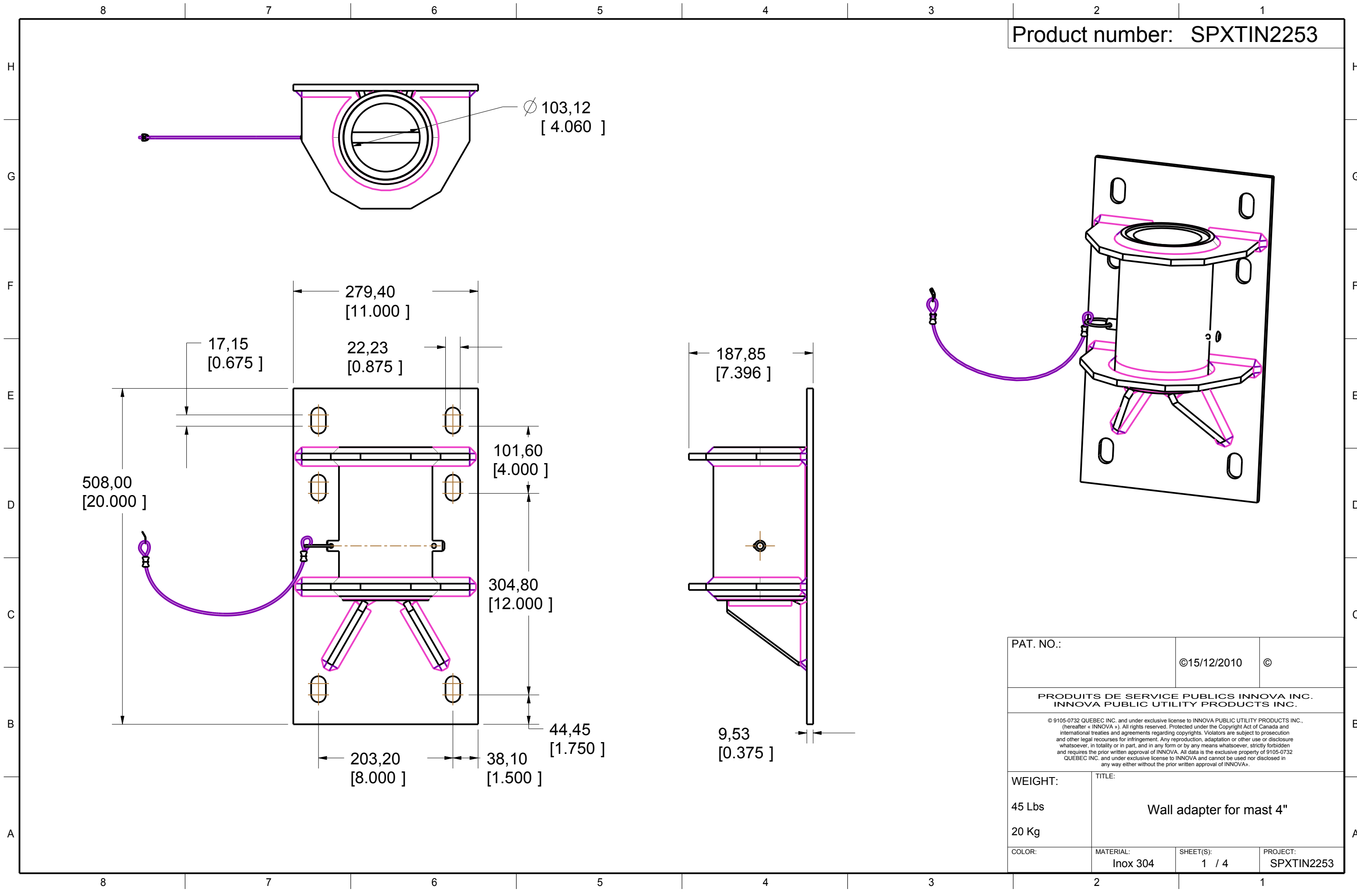
### E-mail

[sales@spanset.com.au](mailto:sales@spanset.com.au)

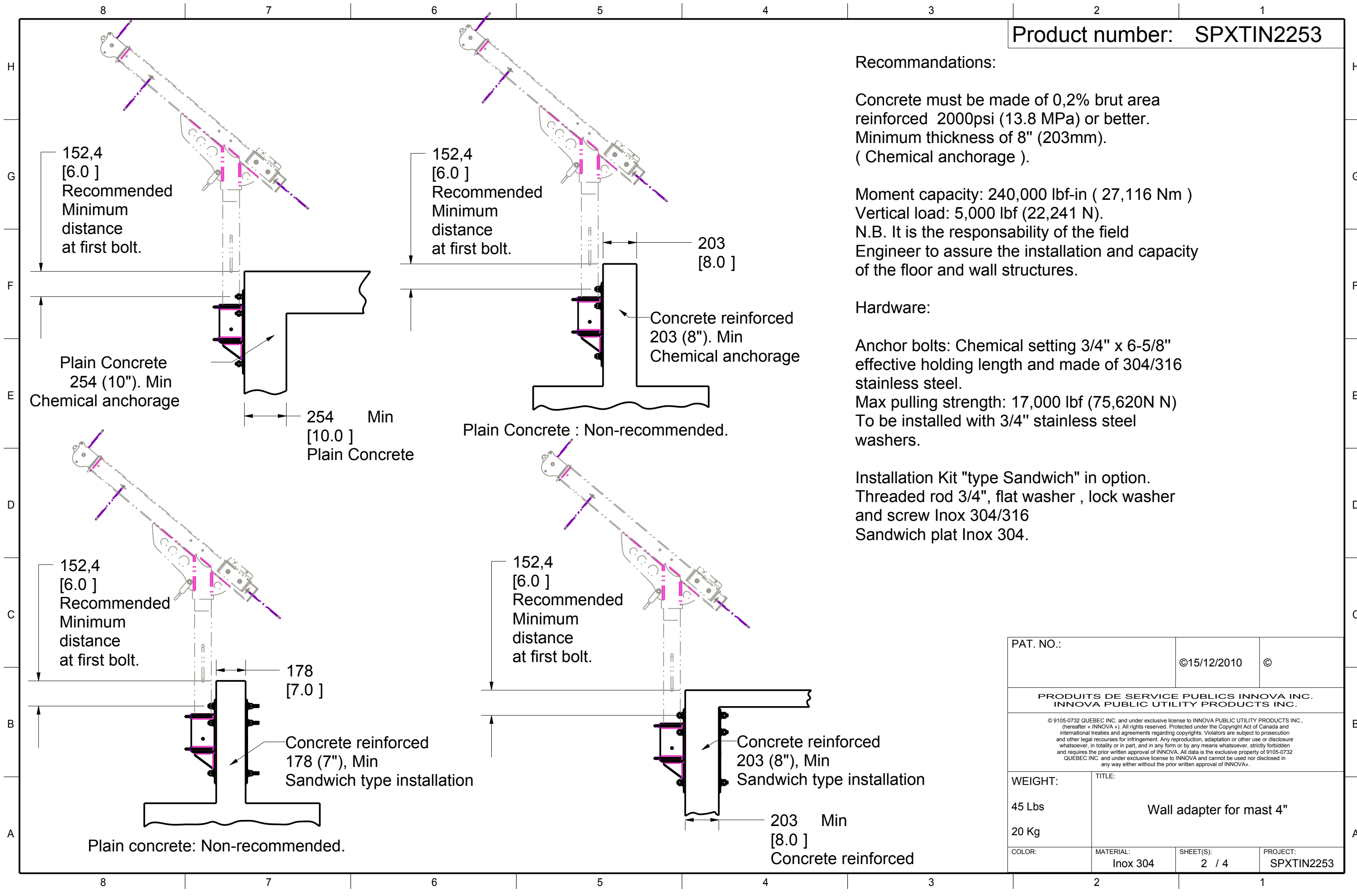
### Internet

[www.spanset.com.au](http://www.spanset.com.au)

Product number: SPXTIN2253



PAT. NO.:		©15/12/2010	©
PRODUITS DE SERVICE PUBLICS INNOVA INC. INNOVA PUBLIC UTILITY PRODUCTS INC.			
<small>© 9105-0732 QUEBEC INC. and under exclusive license to INNOVA PUBLIC UTILITY PRODUCTS INC. (hereafter « INNOVA »). All rights reserved. Protected under the Copyright Act of Canada and international treaties and agreements regarding copyrights. Violators are subject to prosecution and other legal recourses for infringement. Any reproduction, adaptation or other use or disclosure whatsoever, in totality or in part, and in any form or by any means whatsoever, strictly forbidden and requires the prior written approval of INNOVA. All data is the exclusive property of 9105-0732 QUEBEC INC. and under exclusive license to INNOVA and cannot be used nor disclosed in any way either without the prior written approval of INNOVA.</small>			
WEIGHT:	TITLE:		
45 Lbs	Wall adapter for mast 4"		
20 Kg			
COLOR:	MATERIAL:	SHEET(S):	PROJECT:
	Inox 304	1 / 4	SPXTIN2253



Recommandations:

Concrete must be made of 0,2% brut area reinforced 2000psi (13.8 MPa) or better.  
 Minimum thickness of 8" (203mm).  
 ( Chemical anchorage ).

Moment capacity: 240,000 lbf-in ( 27,116 Nm )  
 Vertical load: 5,000 lbf (22,241 N).  
 N.B. It is the responsibility of the field Engineer to assure the installation and capacity of the floor and wall structures.

Hardware:

Anchor bolts: Chemical setting 3/4" x 6-5/8" effective holding length and made of 304/316 stainless steel.  
 Max pulling strength: 17,000 lbf (75,620N N)  
 To be installed with 3/4" stainless steel washers.

Installation Kit "type Sandwich" in option.  
 Threaded rod 3/4", flat washer , lock washer and screw Inox 304/316  
 Sandwich plat Inox 304.

PAT. NO.:		©15/12/2010	©
PRODUITS DE SERVICE PUBLICS INNOVA INC. INNOVA PUBLIC UTILITY PRODUCTS INC.			
© 9105-0732 QUEBEC INC. and under exclusive license to INNOVA PUBLIC UTILITY PRODUCTS INC. (hereafter « INNOVA »). All rights reserved. Protected under the Copyright Act of Canada and international treaties and agreements regarding copyrights. Violators are subject to prosecution and other legal recourses for infringement. Any reproduction, adaptation or other use or disclosure whatsoever, in totality or in part, and in any form or by any means whatsoever, strictly forbidden and requires the prior written approval of INNOVA. All data is the exclusive property of 9105-0732 QUEBEC INC. and under exclusive license to INNOVA and cannot be used nor disclosed in any way either without the prior written approval of INNOVA.			
WEIGHT:	TITLE:		
45 Lbs	Wall adapter for mast 4"		
20 Kg			
COLOR:	MATERIAL:	SHEET(S):	PROJECT:
	Inox 304	2 / 4	SPXTIN2253

Product number: SPXTIN2253

**SPECIFICATIONS**

H This product is man rated with a maximum working capacity of 360lbs (164kg). It is only to be used in conjunction with personal fall arrest equipment that limits the maximum arrerst force (MAF).

Maximum Working Moment : 1,952 N-m (17,280 lbf-in)  
 Maximum Moment : 19,524 N-m (172,800 lbf-in)

**STANDARDS**

F Meets the following standards:  
 OSHA Personal fall arrest system - 1910.66 App C  
 ANSI Safety requirements for personal fall arrest system, subsystems and components Z359.1 - 2007  
 CAN/CSA Fall arresters, vertical lifelines, and rails Z259.2.1-98

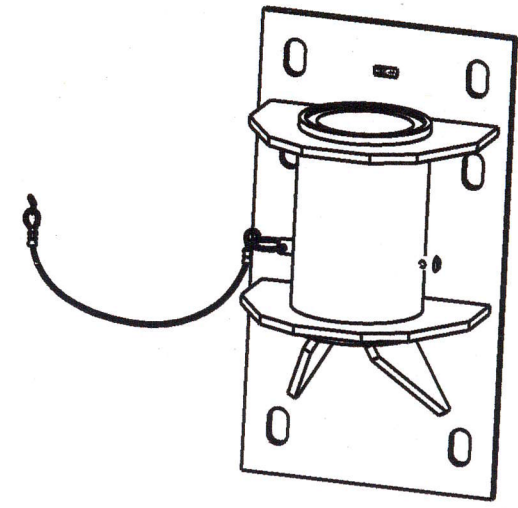
**MATERIAL AND CONSTRUCTION**

D Plate and gussets : Stainless Steel 304  
 Sleeve :Stainless Steel 304  
 Sleeve bearing : Acetal black delrin  
 Pin : Stainless Steel  
 Lanyard : Nylon covered Steel Cable  
 Welding Certification : CSA W59 & W47.1, AWS D1.6

**RESTRICTIONS**

**IMPORTANT :**

B The positioning pin must always be in place when manuvering personnel. Adaptors are designed to function only with Innova public utility products INC. equipment. Anchorage hardware must be installed by qualified and experienced personnel. The installer must follow the anchorage hardware manufacturers recommendations at all time. Periodic inspections of hardware must be done. All equipment and hardware must be inspected before re-using by qualified personnel when a fall has accured.



PAT. NO.:		015/12/2010	0
PRODUITS DE SERVICE PUBLICS INNOVA INC. INNOVA PUBLIC UTILITY PRODUCTS INC.			
<small>© 9105-0732 QUÉBEC INC. and under exclusive license to INNOVA PUBLIC UTILITY PRODUCTS INC., Inventeur s. INNOVA s.l. All rights reserved. Protected under the Copyright Act of Canada and international treaties and agreements regarding copyrights. Violators are subject to prosecution and other legal recourse for infringement. Any reproduction, adaptation or other use of disclosure whatsoever, in totality or in part, and in any form or by any means whatsoever, strictly forbidden and requires the prior written approval of INNOVA. All data is the exclusive property of 9105-0732 QUÉBEC INC. and under exclusive license to INNOVA and cannot be used or disclosed in any way either without the prior written approval of INNOVA.</small>			
WEIGHT:	TITLE:		
45 Lbs	Wall adapter for mast 4"		
20 Kg	COLOR:	MATERIAL:	SHEET(S):
		Inox 304	3 / 4
		PROJECT:	SPXTIN2253

8

7

6

5

4

3

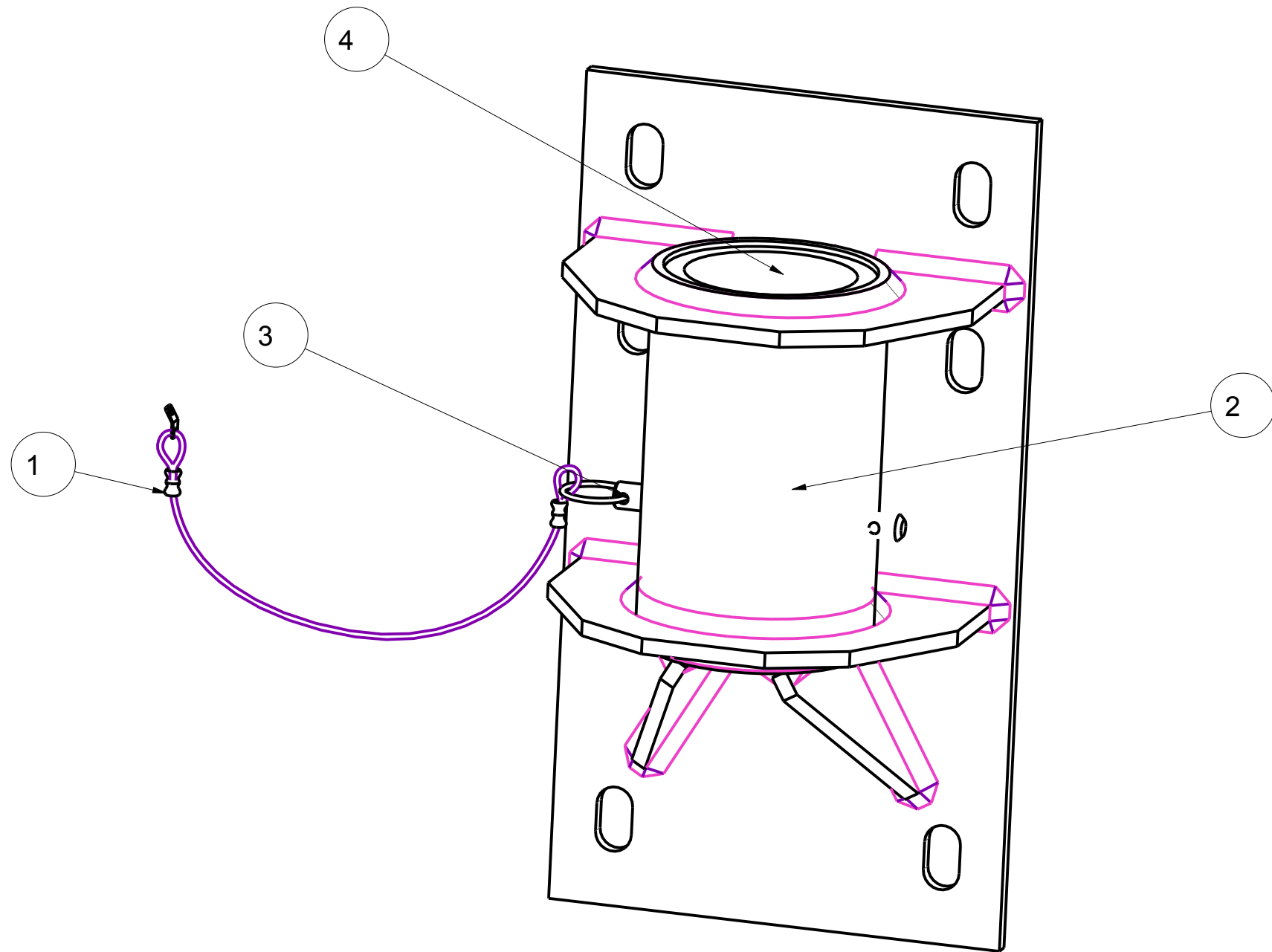
2

1

Product number: SPXTIN2253

IDX	QTE	COMPOSANTE	REV	DESCRIPTION	MATERIAU
4	1	P2238-005	01	Chemise de cylindre	Delrin Noir
3	1	98404A540		Goupille 1/2" X 6" Grip SS	
2	1	SPXTA2253-02		Ass. soudé support mural pour mât 4"	
1	1	SPXTA2005-03		Ass. du Cable	

H  
G  
F  
E  
D  
C  
B  
A



PAT. NO.:		©15/12/2010	©
<b>PRODUITS DE SERVICE PUBLICS INNOVA INC.</b> <b>INNOVA PUBLIC UTILITY PRODUCTS INC.</b>			
<small>© 9105-0732 QUEBEC INC. and under exclusive license to INNOVA PUBLIC UTILITY PRODUCTS INC., (hereafter « INNOVA »). All rights reserved. Protected under the Copyright Act of Canada and international treaties and agreements regarding copyrights. Violators are subject to prosecution and other legal recourses for infringement. Any reproduction, adaptation or other use or disclosure whatsoever, in totality or in part, and in any form or by any means whatsoever, strictly forbidden and requires the prior written approval of INNOVA. All data is the exclusive property of 9105-0732 QUEBEC INC. and under exclusive license to INNOVA and cannot be used nor disclosed in any way either without the prior written approval of INNOVA.</small>			
WEIGHT:	TITLE:		
45 Lbs	Wall adapter for mast 4"		
20 Kg			
COLOR:	MATERIAL:	SHEET(S):	PROJECT:
	Inox 304	4 / 4	SPXTIN2253

8

7

6

5

4

3

2

1