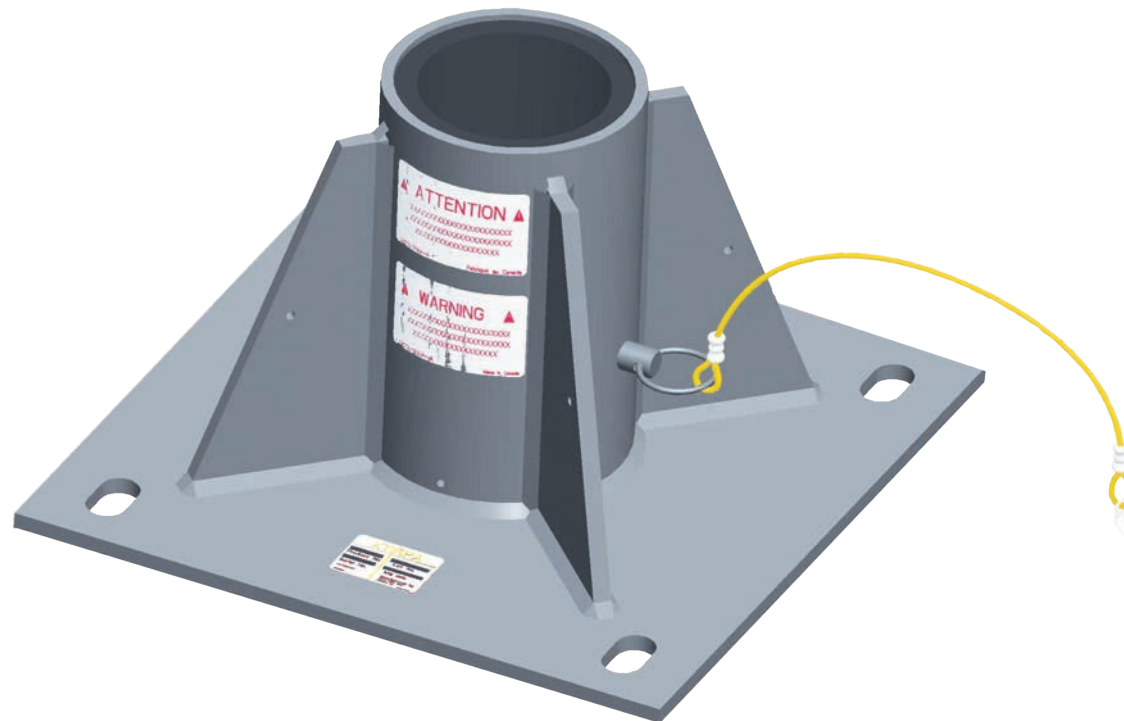


SPXTIN2254-01: Central Floor Adapter for Mast 4"



SpanSet Australia Ltd

150 Old Bathurst Road
Emu Plains
NSW 2750
Australia

Telephone

+61 2 4735 3955

Fax

+61 2 4735 3630

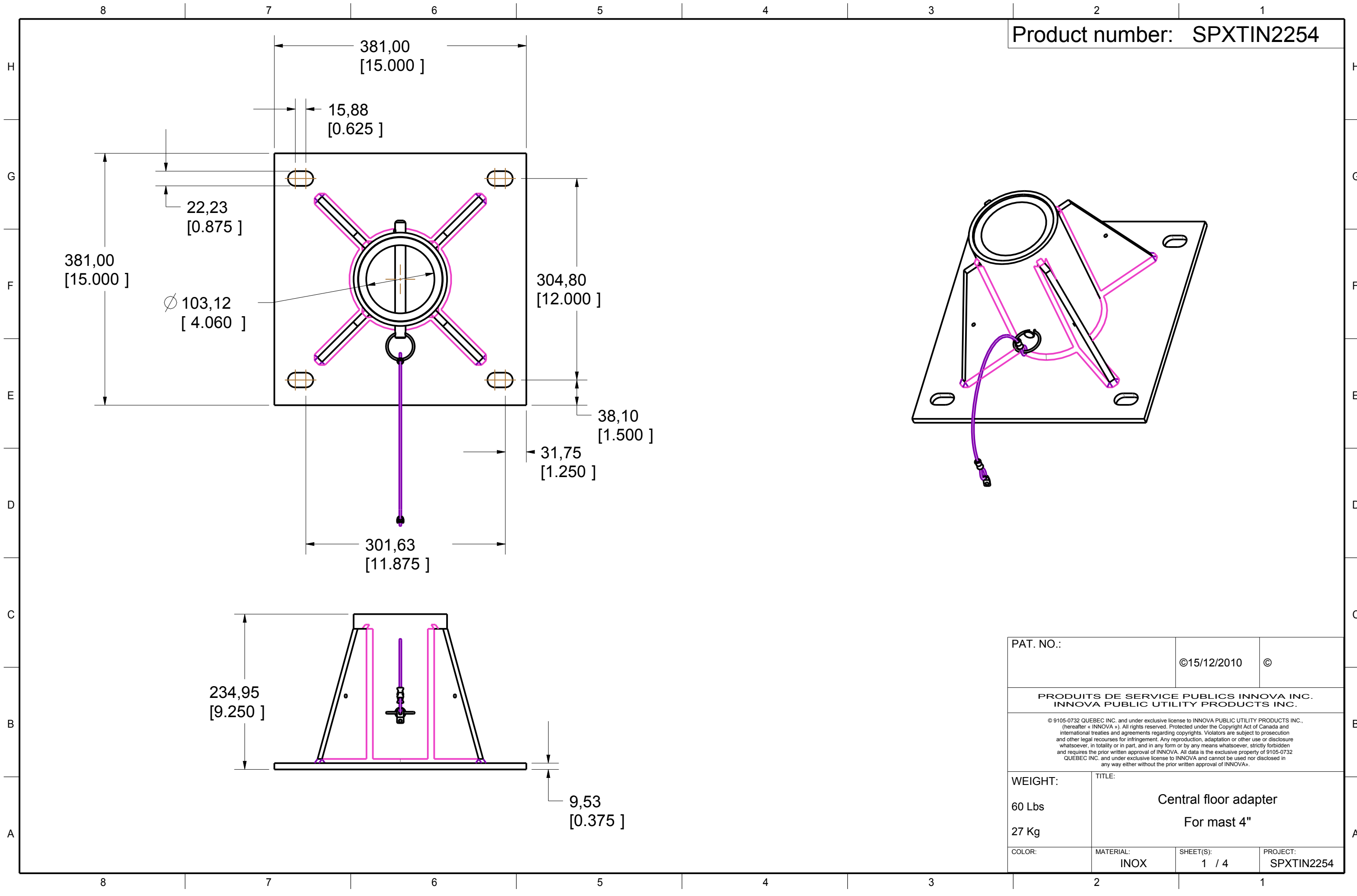
E-mail

sales@spanset.com.au

Internet

www.spanset.com.au

Product number: SPXTIN2254



PAT. NO.:		©15/12/2010	©
PRODUITS DE SERVICE PUBLICS INNOVA INC. INNOVA PUBLIC UTILITY PRODUCTS INC.			
<small>© 9105-0732 QUEBEC INC. and under exclusive license to INNOVA PUBLIC UTILITY PRODUCTS INC., (hereafter « INNOVA »). All rights reserved. Protected under the Copyright Act of Canada and international treaties and agreements regarding copyrights. Violators are subject to prosecution and other legal recourses for infringement. Any reproduction, adaptation or other use or disclosure whatsoever, in totality or in part, and in any form or by any means whatsoever, strictly forbidden and requires the prior written approval of INNOVA. All data is the exclusive property of 9105-0732 QUEBEC INC. and under exclusive license to INNOVA and cannot be used nor disclosed in any way either without the prior written approval of INNOVA.</small>			
WEIGHT:	TITLE:		
60 Lbs	Central floor adapter For mast 4"		
27 Kg			
COLOR:	MATERIAL:	SHEET(S):	PROJECT:
	INOX	1 / 4	SPXTIN2254

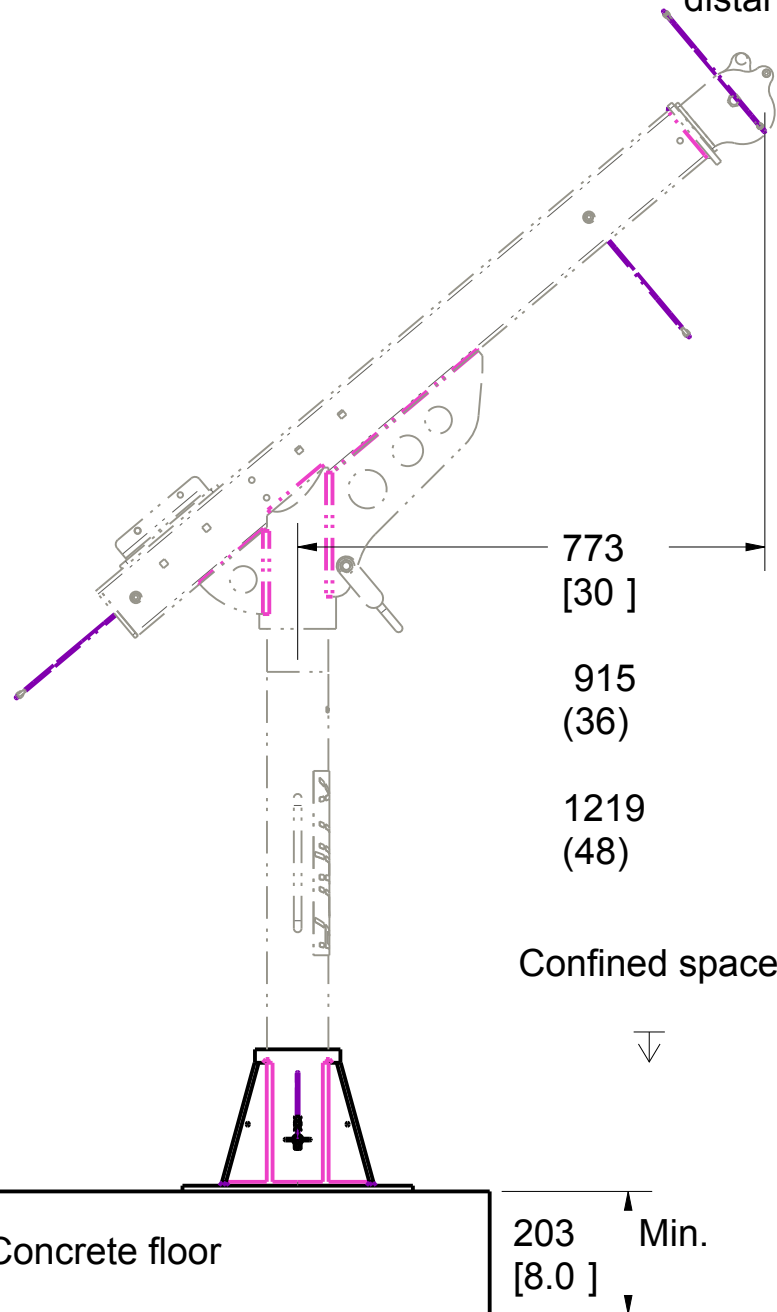
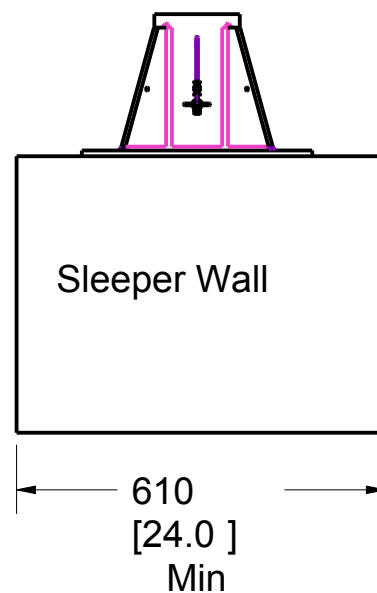
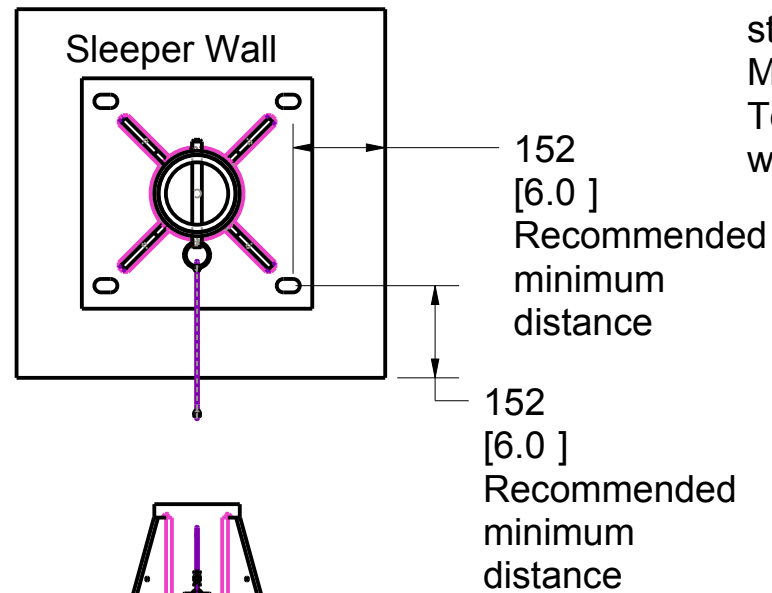
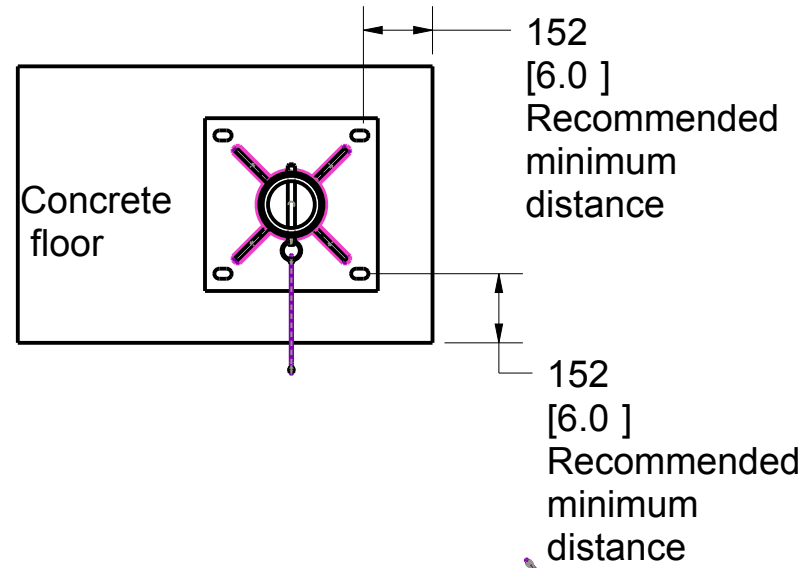
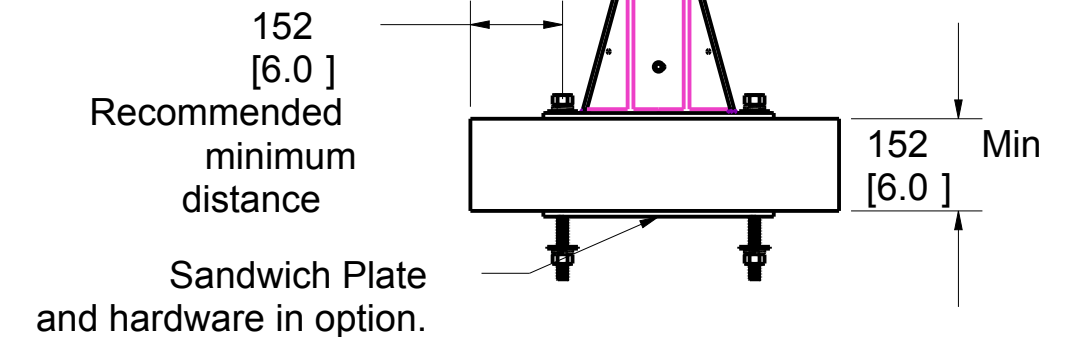
Recommandations:

Concrete must be made of 0,2% brut area reinforced 2000psi (13.8 MPa) or better. Minimum thickness of 8" (203mm). (Chemical anchorage).

Moment capacity:
240,000 lbf-in (27,116 N-m)
Vertical load: 5,000 lbf (22,241 N).
N.B. It is the responsibility of the field Engineer to assure the installation and capacity of the floor and wall structures.

Hardware:

Anchor bolts: Chemical setting 3/4" x 6-5/8" effective holding length and made of 304/316 stainless steel.
Max pulling strength: 17,000 lbf (75,620N N)
To be installed with 3/4" stainless steel washers. Installation type " Sandwich "



PAT. NO.:		©15/12/2010	©
PRODUITS DE SERVICE PUBLICS INNOVA INC. INNOVA PUBLIC UTILITY PRODUCTS INC.			
<small>© 9105-0732 QUEBEC INC. and under exclusive license to INNOVA PUBLIC UTILITY PRODUCTS INC., (hereafter « INNOVA »). All rights reserved. Protected under the Copyright Act of Canada and international treaties and agreements regarding copyrights. Violators are subject to prosecution and other legal recourses for infringement. Any reproduction, adaptation or other use or disclosure whatsoever, in totality or in part, and in any form or by any means whatsoever, strictly forbidden and requires the prior written approval of INNOVA. All data is the exclusive property of 9105-0732 QUEBEC INC. and under exclusive license to INNOVA and cannot be used nor disclosed in any way either without the prior written approval of INNOVA.</small>			
WEIGHT:	TITLE:		
60 Lbs 27 Kg	Central floor adapter For mast 4"		
COLOR:	MATERIAL:	SHEET(S):	PROJECT:
	INOX	2 / 4	SPXTIN2254

Product number: SPXTIN2254

SPECIFICATIONS

This product is man rated with a maximum working capacity of 360lbs (164kg). It is only to be used in conjunction with personal fall arrest equipment that limits the maximum arrest force (MAF).

Maximum Working Moment : 1,952 N-m (17,280 lbf-in)
 Maximum Design Moment: 19,524 N-m (172,800 lbf-in)

STANDARDS

Meets the following standards:
 OSHA Personal fall arrest system - 1910.66 App C
 ANSI Safety requirements for personal fall arrest system, subsystems and components Z359.1 (R1999) / 2007
 CAN/CSA Fall arresters, vertical lifelines, and rails Z259.2.1-98

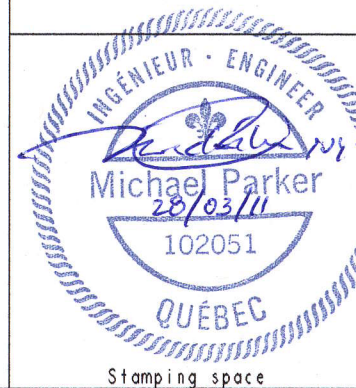
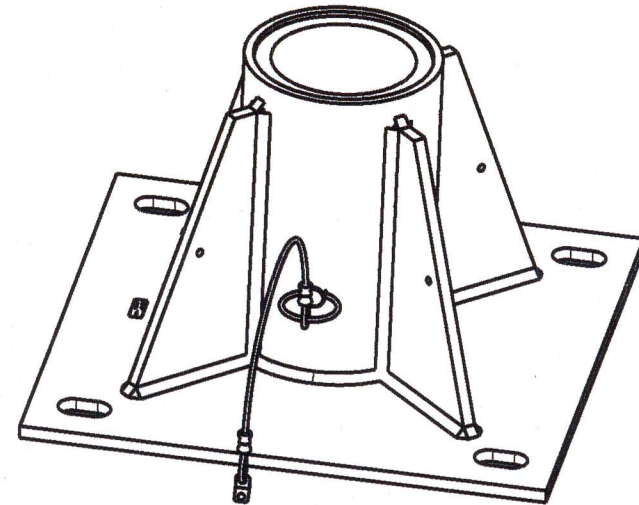
MATERIAL AND CONSTRUCTION

Plate, gussets and sleeve : 304 Stainless Steel
 Sleeve bearing : PVC Pipe.
 Pin : Stainless Steel
 Lanyard : Nylon covered Steel Cable
 Welding Certification : CSA W59 & W47.1, AWS D1.6

RESTRICTIONS

IMPORTANT :

The positioning pin must always be in place when manouvering personnel. Adaptors are designed to function only with Innova public utility products INC. equipment. Anchorage hardware must be installed by qualified and experienced personnel. The installer must follow the anchorage hardware manufacturers recommendations at all time. Periodic inspections of hardware must be done. All equipment and hardware must be inspected before re-using by qualified personnel when a fall has accured.



Stamping space

PAT. NO. :		©15/12/2010 ©	
PRODUITS DE SERVICE PUBLICS INNOVA INC. INNOVA PUBLIC UTILITY PRODUCTS INC.			
<small>© 2010-2012 QUEBEC INC. and under exclusive license to INNOVA PUBLIC UTILITY PRODUCTS INC. hereafter "INNOVA". All rights reserved. Protected under the Copyright Act of Canada and international treaties and agreements regarding copyrights. Violators are subject to prosecution and other legal recourse for infringement. Any reproduction, adaptation or other use or disclosure whatsoever, in totality or in part, and in any form or by any means whatsoever, strictly forbidden without the prior written approval of INNOVA. All data is the exclusive property of 2010-2012 QUEBEC INC. and under exclusive license to INNOVA and cannot be used nor disclosed in any way either without the prior written approval of INNOVA.</small>			
WEIGHT:	TITLE:		
60 Lbs	Central floor adapter		
27 Kg	For mast 4"		
COLOR:	MATERIAL:	SHEET(S):	PROJECT:
	INOX	3 / 4	SPXTIN2254

8

7

6

5

4

3

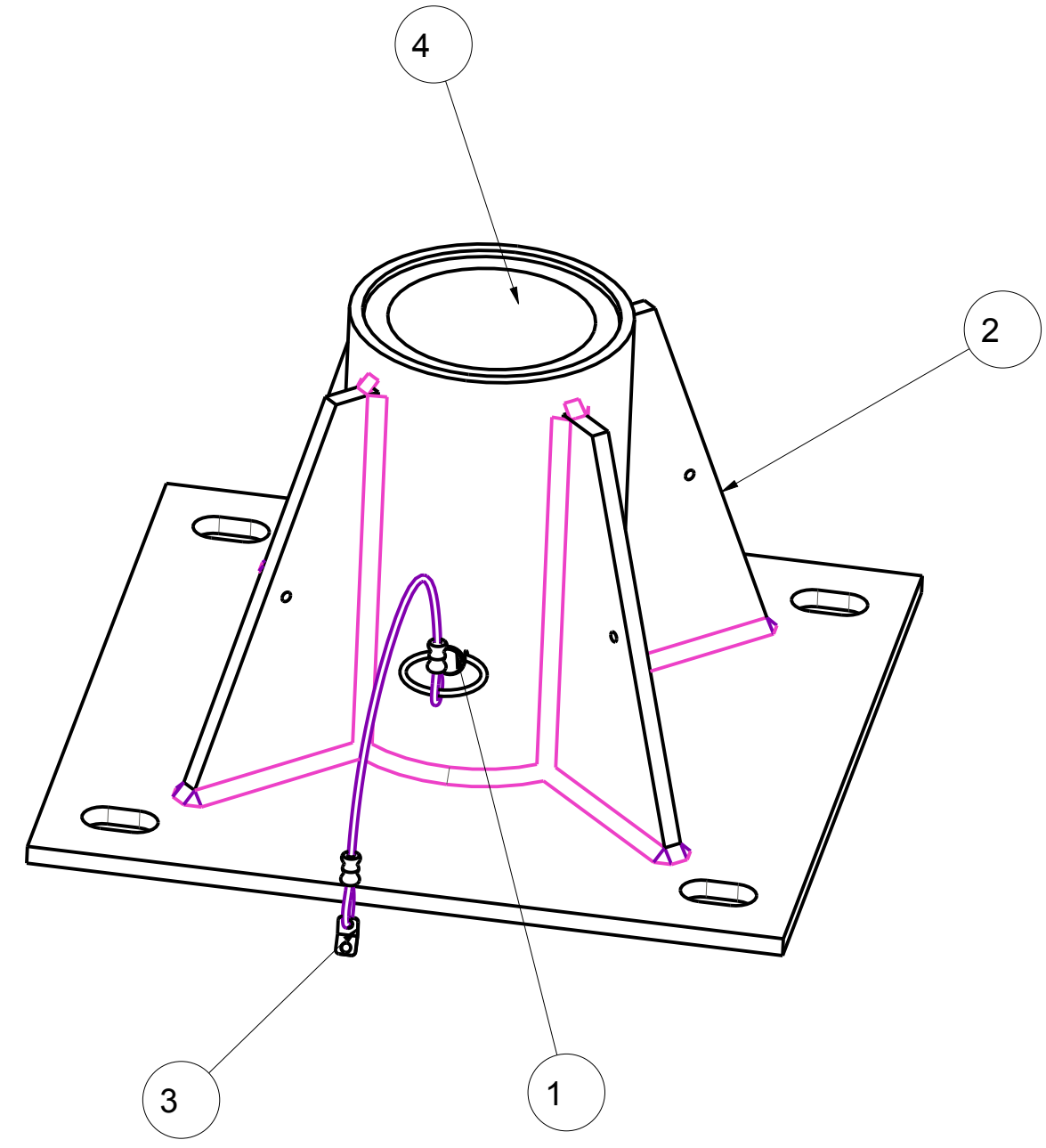
2

1

H
G
F
E
D
C
B
A

Product number: SPXTIN2254

4	1	P2238-005	01	Chemise de cylindre	Delrin Noir
3	1	SPXTA2005-03		Ass. du Cable	
2	1	SPXTA2254-02		Ass. base soudée	Acier inox 304
1	1	98404A540		Goupille 1/2" X 6" Grip SS	
IDX	QTE	COMPOSANTE	REV	DESCRIPTION	MATERIAU



PAT. NO.:		©15/12/2010	©
PRODUITS DE SERVICE PUBLICS INNOVA INC. INNOVA PUBLIC UTILITY PRODUCTS INC.			
<small>© 9105-0732 QUEBEC INC. and under exclusive license to INNOVA PUBLIC UTILITY PRODUCTS INC., (hereafter « INNOVA »). All rights reserved. Protected under the Copyright Act of Canada and international treaties and agreements regarding copyrights. Violators are subject to prosecution and other legal recourses for infringement. Any reproduction, adaptation or other use or disclosure whatsoever, in totality or in part, and in any form or by any means whatsoever, strictly forbidden and requires the prior written approval of INNOVA. All data is the exclusive property of 9105-0732 QUEBEC INC. and under exclusive license to INNOVA and cannot be used nor disclosed in any way either without the prior written approval of INNOVA.</small>			
WEIGHT:	TITLE:		
60 Lbs	Central floor adapter For mast 4"		
27 Kg			
COLOR:	MATERIAL:	SHEET(S):	PROJECT:
	INOX	4 / 4	SPXTIN2254

8

7

6

5

4

3

2

1