

SPXTIN2255-01: Sleeve Adapter for Mast 4"



SpanSet Australia Ltd

150 Old Bathurst Road
Emu Plains
NSW 2750
Australia

Telephone

+61 2 4735 3955

Fax

+61 2 4735 3630

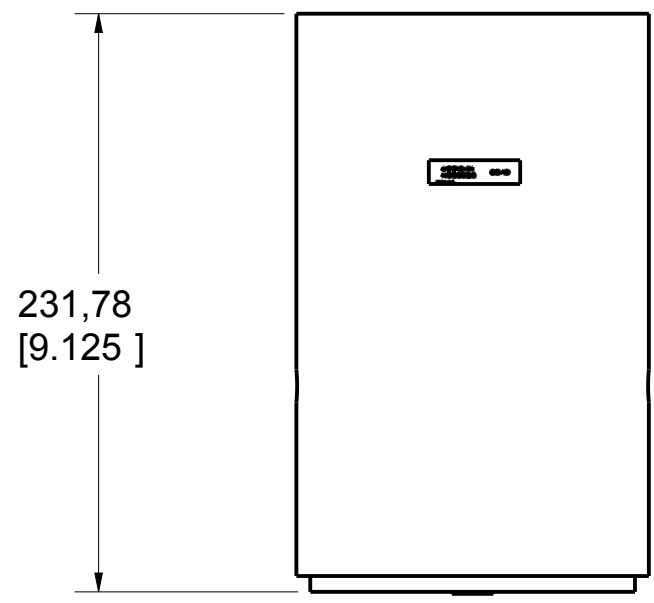
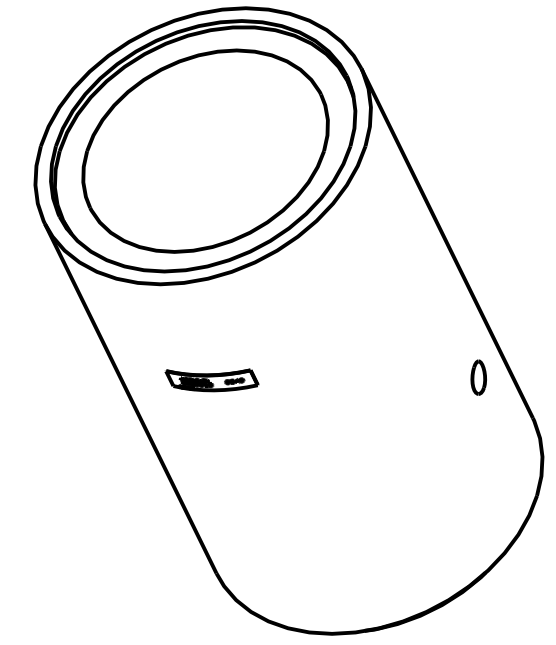
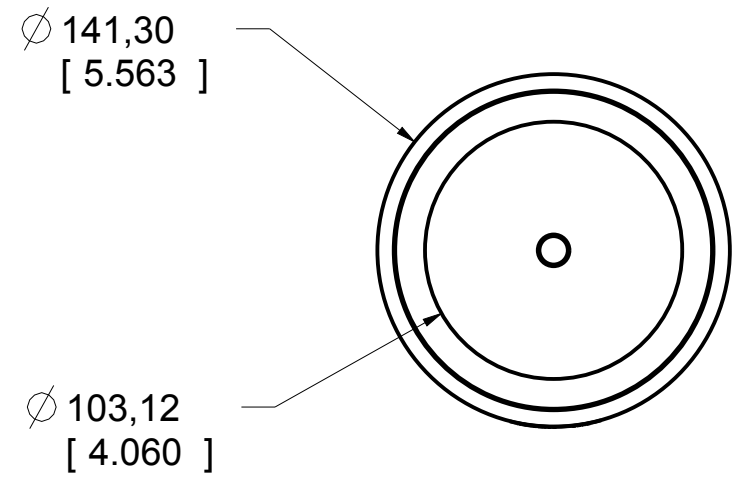
E-mail

sales@spanset.com.au

Internet

www.spanset.com.au

Product number: SPXTIN2255



| | | | |
|---|----------------------------|-------------|------------|
| PAT. NO.: | | ©15/12/2010 | © |
| PRODUITS DE SERVICE PUBLICS INNOVA INC. INNOVA PUBLIC UTILITY PRODUCTS INC. | | | |
| <small>© 9105-0732 QUEBEC INC. and under exclusive license to INNOVA PUBLIC UTILITY PRODUCTS INC., (hereafter « INNOVA »). All rights reserved. Protected under the Copyright Act of Canada and international treaties and agreements regarding copyrights. Violators are subject to prosecution and other legal recourses for infringement. Any reproduction, adaptation or other use or disclosure whatsoever, in totality or in part, and in any form or by any means whatsoever, strictly forbidden and requires the prior written approval of INNOVA. All data is the exclusive property of 9105-0732 QUEBEC INC. and under exclusive license to INNOVA and cannot be used nor disclosed in any way either without the prior written approval of INNOVA.</small> | | | |
| WEIGHT: | TITLE: | | |
| 12 Lbs | Sleeve adapter for mast 4" | | |
| 5 Kg | | | |
| COLOR: | MATERIAL: | SHEET(S): | PROJECT: |
| | INOX | 1 / 4 | SPXTIN2255 |

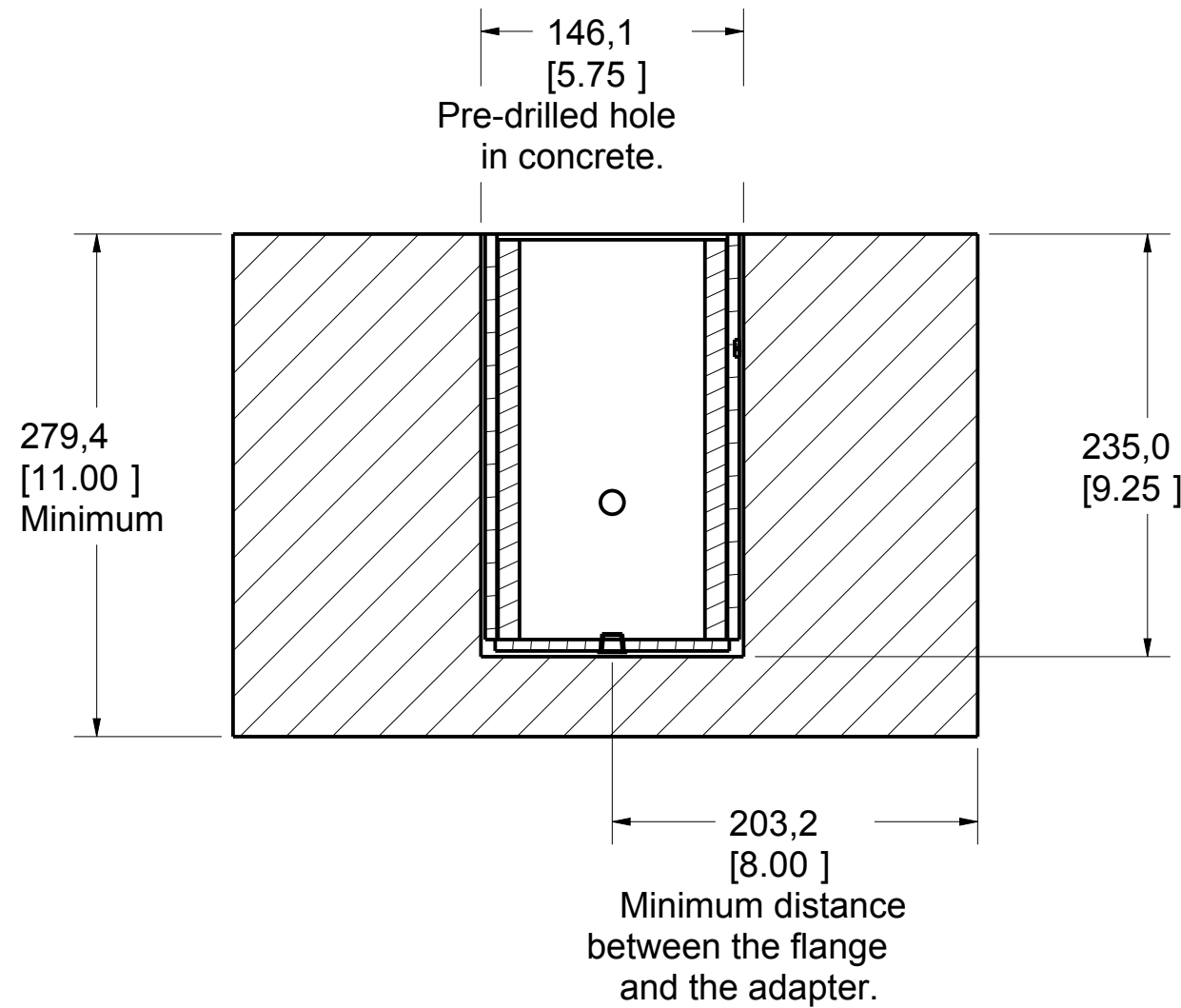
Recommendations:

Concrete must be made of 0.2% brut area reinforced 2000psi (13,8 Mpa) or better. Minimum thichness of 11" (280mm). (Chemical anchorage).

Use anchor bolt epoxy (such as Hilti Hit-RE-500) as a filler between the sleeve adapter and concrete.

Moment capacity:
240,000 lbf-in (27,116 N-m)
Vertical load: 5,000 lbf (22,241 N).

N.B. It is the responsability of the field Engineer to assure the installation and capacity of the floor and wall stuctures.



| | | | |
|---|----------------------------|-------------|------------|
| PAT. NO.: | | ©15/12/2010 | © |
| PRODUITS DE SERVICE PUBLICS INNOVA INC. INNOVA PUBLIC UTILITY PRODUCTS INC. | | | |
| <small>© 9105-0732 QUEBEC INC. and under exclusive license to INNOVA PUBLIC UTILITY PRODUCTS INC., (hereafter « INNOVA »). All rights reserved. Protected under the Copyright Act of Canada and international treaties and agreements regarding copyrights. Violators are subject to prosecution and other legal recourses for infringement. Any reproduction, adaptation or other use or disclosure whatsoever, in totality or in part, and in any form or by any means whatsoever, strictly forbidden and requires the prior written approval of INNOVA. All data is the exclusive property of 9105-0732 QUEBEC INC. and under exclusive license to INNOVA and cannot be used nor disclosed in any way either without the prior written approval of INNOVA.</small> | | | |
| WEIGHT: | TITLE: | | |
| 12 Lbs | Sleeve adapter for mast 4" | | |
| 5 Kg | | | |
| COLOR: | MATERIAL: | SHEET(S): | PROJECT: |
| | INOX | 2 / 4 | SPXTIN2255 |

SPECIFICATIONS

This product is man rated with a maximum working capacity of 360lbs (164kg). It is only to be used in conjunction with personal fall arrest equipment that limits the maximum arrest force (MAF).

Maximum Working Moment : 1,952 N-m (17,280 lbf-in)
 Maximum Moment : 19,524 N-m (172,800 lbf-in)

STANDARDS

Meets the following standards:
 OSHA Personal fall arrest system - 1910.66 App C
 ANSI Safety requirements for personal fall arrest system, subsystems and components Z359.1 - 2007
 CAN/CSA Fall arresters, vertical lifelines, and rails Z259.2.1-98

MATERIAL AND CONSTRUCTION

Plate : Stainless Steel 304
 Sleeve :Stainless Steel 304
 Sleeve bearing : Acetal black delrin
 Welding Certification : CSA W59 & W47.1, AWS D1.6

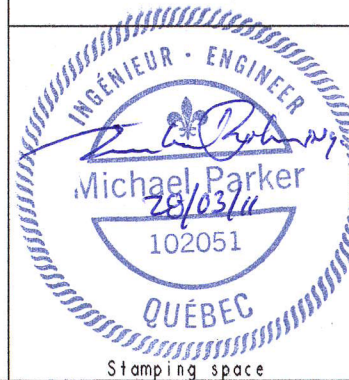
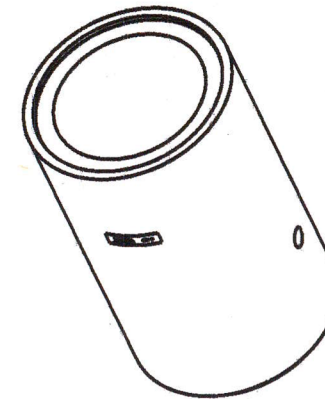
RESTRICTIONS

IMPORTANT :

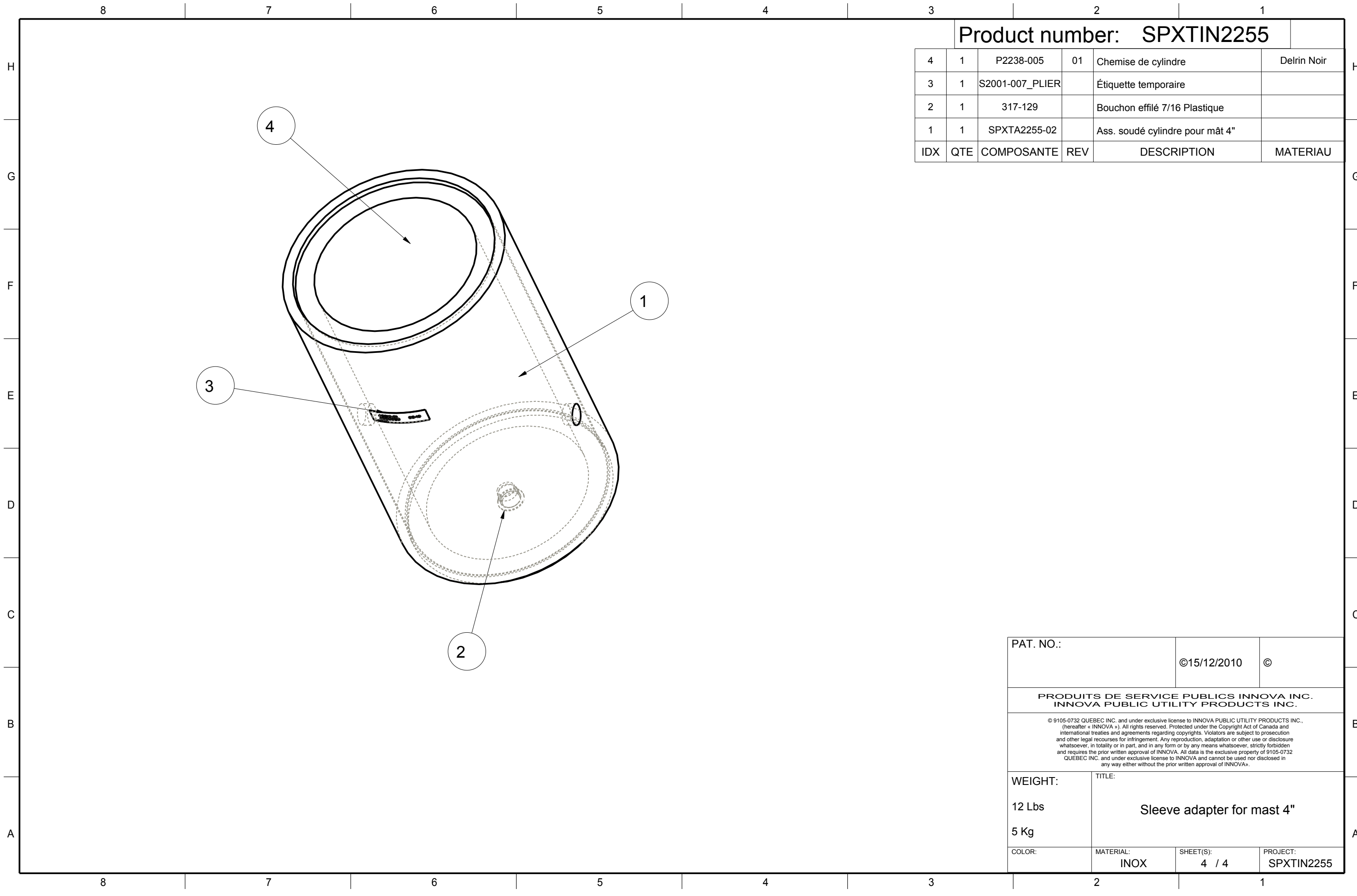
Adaptors are designed to function only with Innova public utility products INC. equipment.

All equipment and hardware must be inspected before re-using by qualified personnel when a fall has accured.

Product number : SPXTIN2255



| | | | |
|---|-----------|----------------------------|------------|
| PAT. NO. : | | ©15/12/2010 © | |
| PRODUITS DE SERVICE PUBLICS INNOVA INC. INNOVA PUBLIC UTILITY PRODUCTS INC. | | | |
| <small>© 8185-0732 QUEBEC INC. and under exclusive license to INNOVA PUBLIC UTILITY PRODUCTS INC., hereafter "INNOVA". All rights reserved. Protected under the Copyright Act of Canada and international treaties and agreements regarding copyrights. Violators are subject to prosecution and other legal recourse for infringement. Any reproduction, adaptation or other use or disclosure whatsoever, in totality or in part, and in any form or by any means whatsoever, strictly forbidden and requires the prior written approval of INNOVA. All data is the exclusive property of 8185-0732 QUEBEC INC. and under exclusive license to INNOVA and cannot be read nor disclosed in any way other without the prior written approval of INNOVA.</small> | | | |
| WEIGHT: | | TITLE: | |
| 12 Lbs | | Sleeve adapter for mast 4" | |
| 5 Kg | | | |
| COLOR: | MATERIAL: | SHEET(S): | PROJECT: |
| | INOX | 3 / 4 | SPXTIN2255 |



Product number: **SPXTIN2255**

| IDX | QTE | COMPOSANTE | REV | DESCRIPTION | MATERIAU |
|-----|-----|-----------------|-----|---------------------------------|-------------|
| 4 | 1 | P2238-005 | 01 | Chemise de cylindre | Delrin Noir |
| 3 | 1 | S2001-007_PLIER | | Étiquette temporaire | |
| 2 | 1 | 317-129 | | Bouchon effilé 7/16 Plastique | |
| 1 | 1 | SPXTA2255-02 | | Ass. soudé cylindre pour mât 4" | |

| | | | |
|--|----------------------------|-------------|------------|
| PAT. NO.: | | ©15/12/2010 | © |
| PRODUITS DE SERVICE PUBLICS INNOVA INC. INNOVA PUBLIC UTILITY PRODUCTS INC. | | | |
| © 9105-0732 QUEBEC INC. and under exclusive license to INNOVA PUBLIC UTILITY PRODUCTS INC., (hereafter « INNOVA »). All rights reserved. Protected under the Copyright Act of Canada and international treaties and agreements regarding copyrights. Violators are subject to prosecution and other legal recourses for infringement. Any reproduction, adaptation or other use or disclosure whatsoever, in totality or in part, and in any form or by any means whatsoever, strictly forbidden and requires the prior written approval of INNOVA. All data is the exclusive property of 9105-0732 QUEBEC INC. and under exclusive license to INNOVA and cannot be used nor disclosed in any way either without the prior written approval of INNOVA. | | | |
| WEIGHT: | TITLE: | | |
| 12 Lbs | Sleeve adapter for mast 4" | | |
| 5 Kg | | | |
| COLOR: | MATERIAL: | SHEET(S): | PROJECT: |
| | INOX | 4 / 4 | SPXTIN2255 |