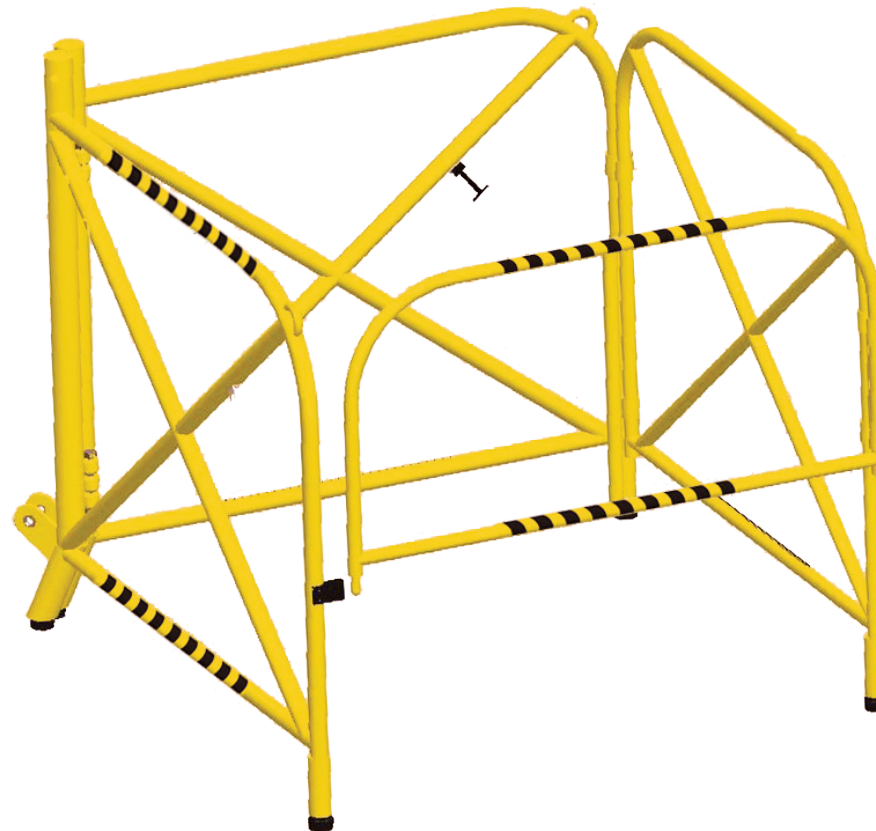


## SPXTIN2001-01: 4-Sided Safety Barricade



**SpanSet Australia Ltd**

150 Old Bathurst Road  
Emu Plains  
NSW 2750  
Australia

**Telephone**

+61 2 4735 3955

**Fax**

+61 2 4735 3630

**E-mail**

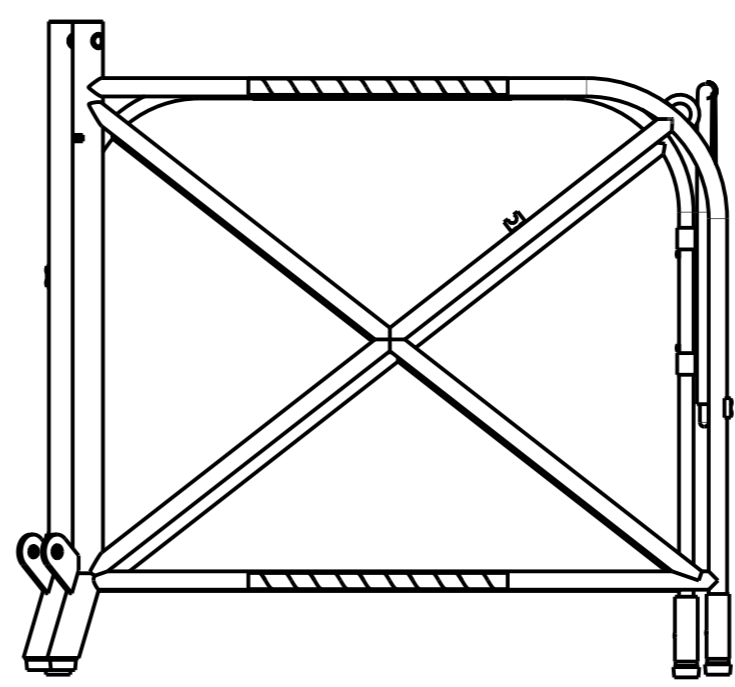
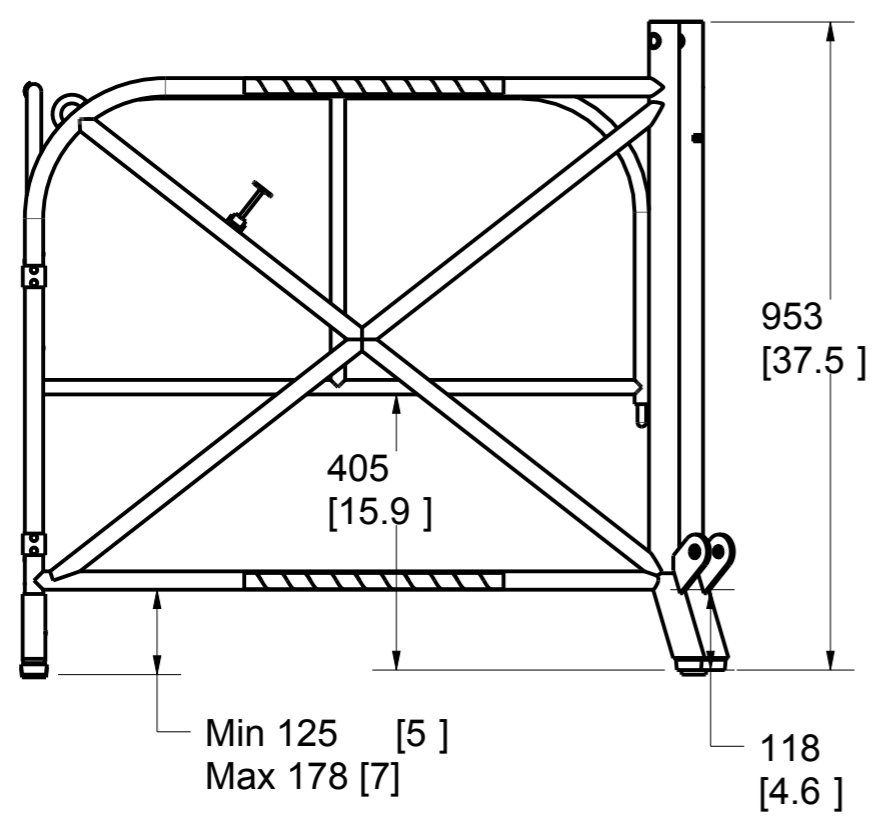
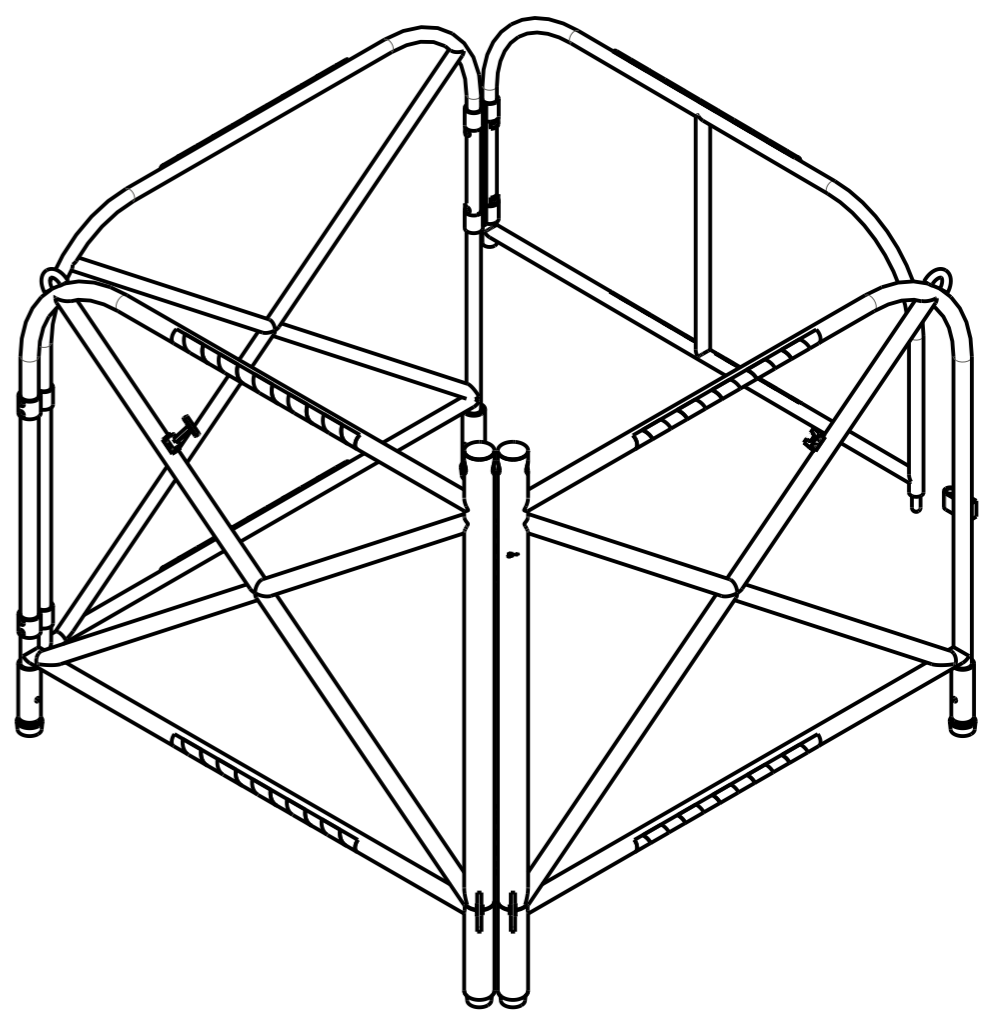
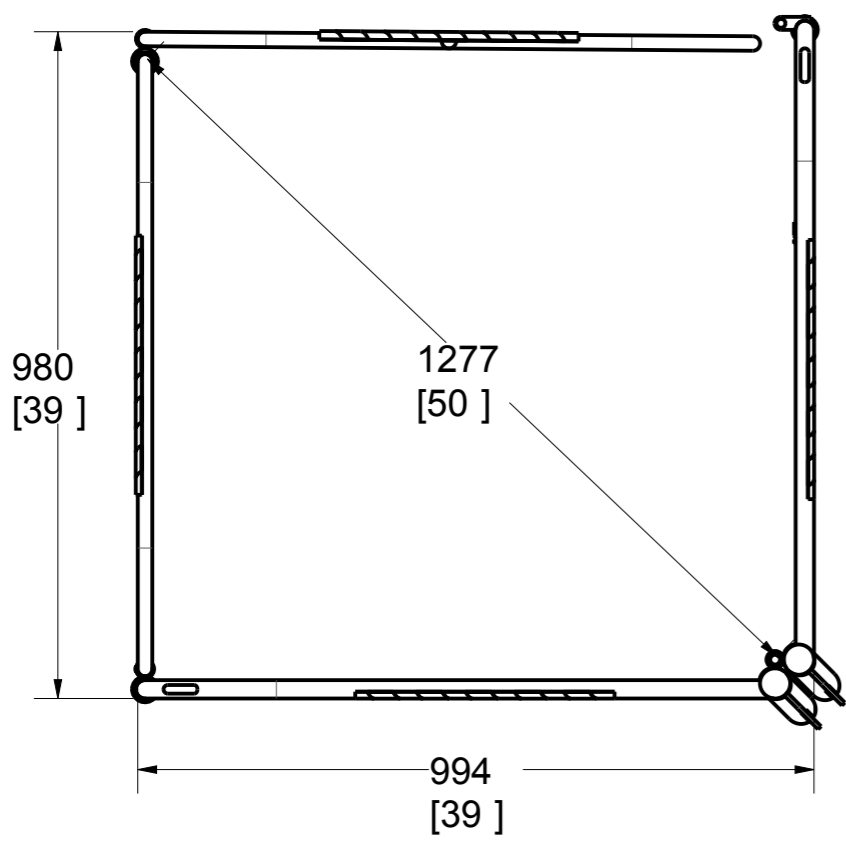
[sales@spanset.com.au](mailto:sales@spanset.com.au)

**Internet**

[www.spanset.com.au](http://www.spanset.com.au)

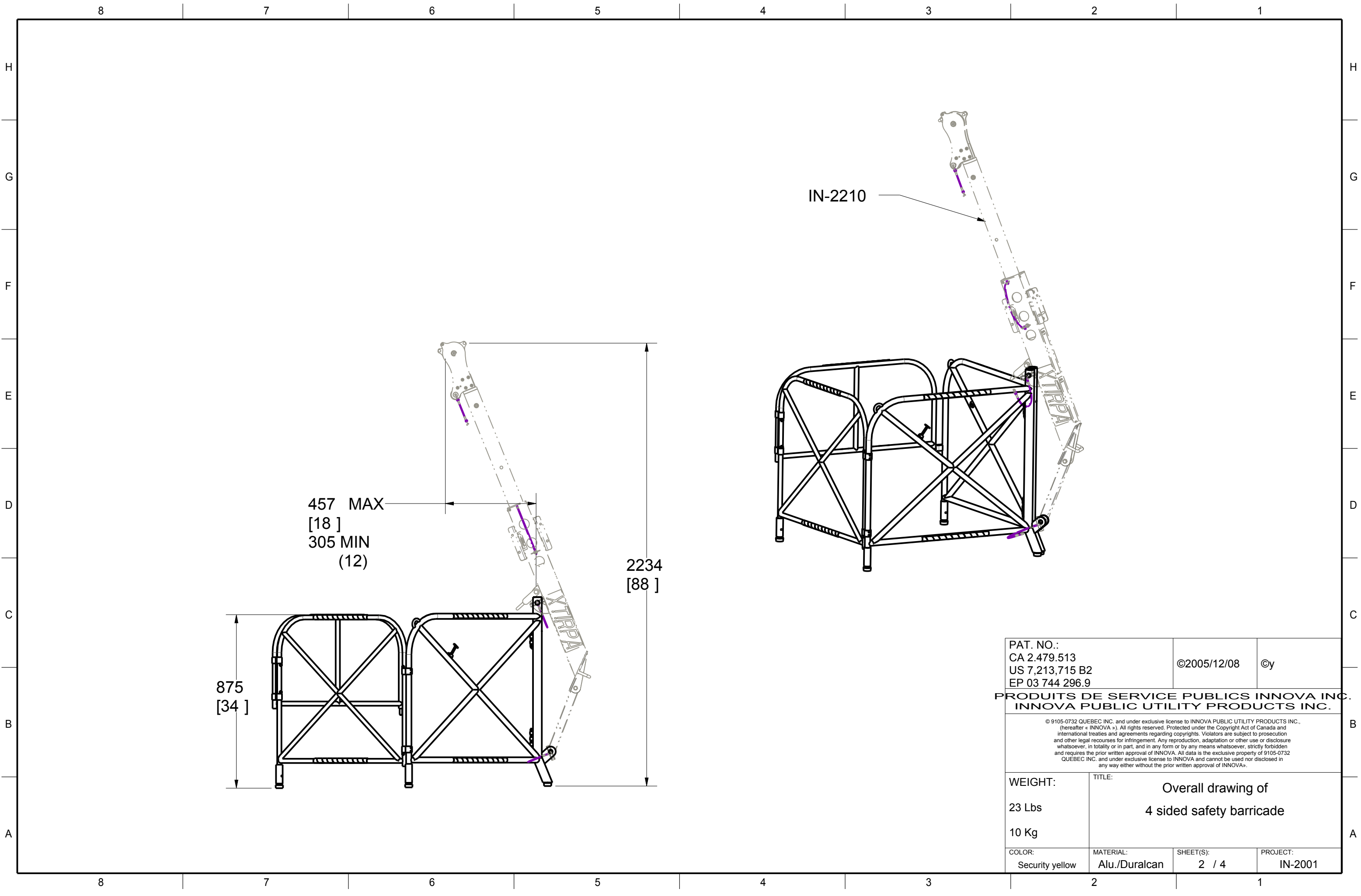
8 7 6 5 4 3 2 1

H  
G  
F  
E  
D  
C  
B  
A



PAT. NO.: CA 2,479,513 US 7,213,715 B2 EP 03 744 296.9		©2005/12/08	©y
<b>PRODUITS DE SERVICE PUBLICS INNOVA INC.</b> <b>INNOVA PUBLIC UTILITY PRODUCTS INC.</b>			
<small>© 9105-0732 QUEBEC INC. and under exclusive license to INNOVA PUBLIC UTILITY PRODUCTS INC., (hereafter « INNOVA »). All rights reserved. Protected under the Copyright Act of Canada and international treaties and agreements regarding copyrights. Violators are subject to prosecution and other legal recourses for infringement. Any reproduction, adaptation or other use or disclosure whatsoever, in totality or in part, and in any form or by any means whatsoever, strictly forbidden and requires the prior written approval of INNOVA. All data is the exclusive property of 9105-0732 QUEBEC INC. and under exclusive license to INNOVA and cannot be used nor disclosed in any way either without the prior written approval of INNOVA.</small>			
WEIGHT:	TITLE:		
23 Lbs	Overall drawing of		
10 Kg	4 sided safety barricade		
COLOR:	MATERIAL:	SHEET(S):	PROJECT:
Security yellow	Alu./Duralcan	1 / 4	IN-2001

8 7 6 5 4 3 2 1



PAT. NO.:		©2005/12/08		©y	
CA 2.479.513					
US 7,213,715 B2					
EP 03 744 296.9					
<b>PRODUITS DE SERVICE PUBLICS INNOVA INC.</b> <b>INNOVA PUBLIC UTILITY PRODUCTS INC.</b>					
<small>© 9105-0732 QUEBEC INC. and under exclusive license to INNOVA PUBLIC UTILITY PRODUCTS INC. (hereafter « INNOVA »). All rights reserved. Protected under the Copyright Act of Canada and international treaties and agreements regarding copyrights. Violators are subject to prosecution and other legal recourses for infringement. Any reproduction, adaptation or other use or disclosure whatsoever, in totality or in part, and in any form or by any means whatsoever, strictly forbidden and requires the prior written approval of INNOVA. All data is the exclusive property of 9105-0732 QUEBEC INC. and under exclusive license to INNOVA and cannot be used nor disclosed in any way either without the prior written approval of INNOVA.</small>					
WEIGHT:		TITLE:			
23 Lbs		Overall drawing of 4 sided safety barricade			
10 Kg					
COLOR:	MATERIAL:	SHEET(S):	PROJECT:		
Security yellow	Alu./Duralcan	2 / 4	IN-2001		

SPECIFICATIONS

Working Load (mass) :  
 With Davit Arm IN-2002 or IN-2210: 191 kg (420 lbs)

Max Capacity without deformation:  
 With Davit Arm fully extended IN-2002 or IN-2210 : 19172 N (4310 lbf)  
 With Davit Arm IN-2002 or IN-2210 at Anchorage point : 22241 N (5000lbf)  
 Maximum Moment : 8765 N-m (77,580 lbf-in)

STANDARDS

Meets the following standards:  
 OSHA Personal fall arrest system - 1910.66 App C  
 ANSI Safety requirements for personal fall arrest system,  
 subsystems and components Z359.1 ( R1999 )  
 CAN/CSA Fall arresters, vertical lifelines, and rails Z259.2.1-98

MATERIAL AND CONSTRUCTION

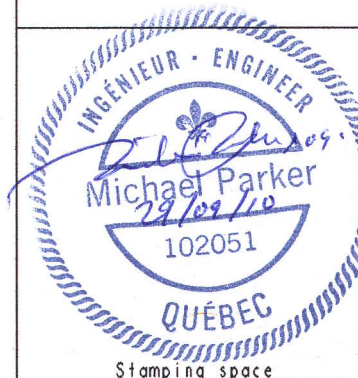
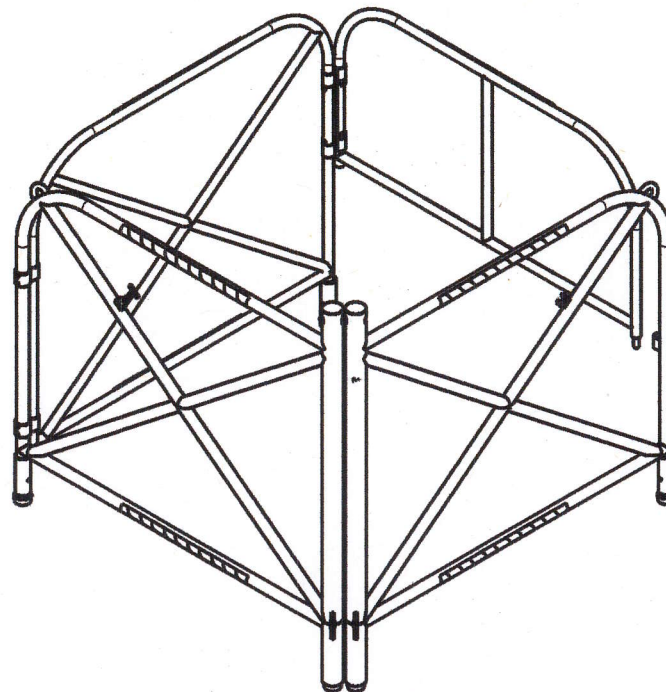
Structural tubes : Duralcan and Aluminum 6061-T6  
 Levelling Screws : Stainless Steel and Rubber  
 Hardware : Zinc plated steel Gr. 5 and stainless steel  
 Finish : Yellow security powder paint with metal protection.  
 Welding certification: CSA W47.2M

RESTRICTIONS

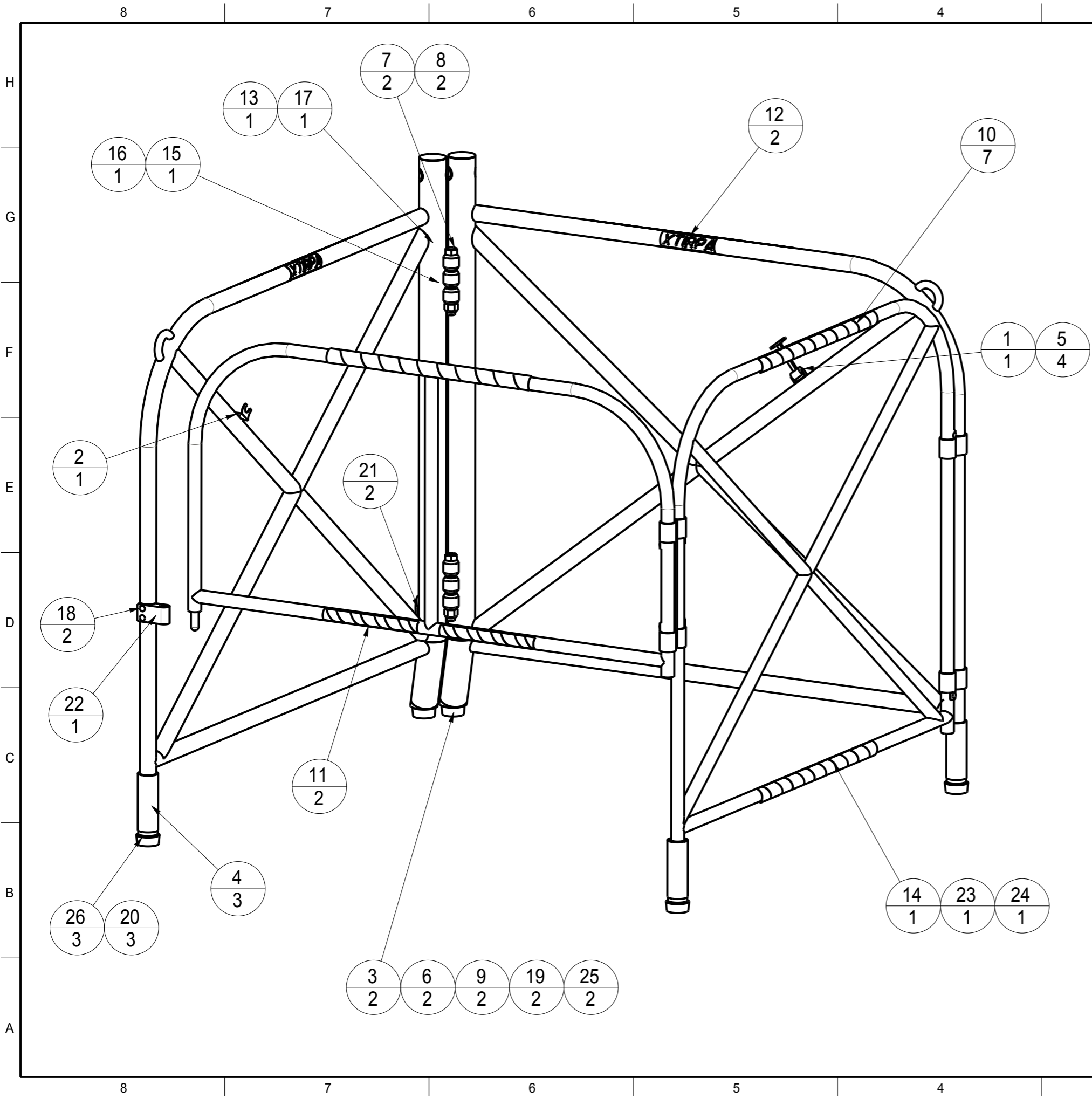
This product is to be used only with products approved by Innova public utility products INC.

Important:  
 This product is man rated and shall be used in conjunction with  
 Fall Arrest Equipment which limits the maximum arrest force (MAF).

Product number: IN-2001



PAT. NO. : CA 2,479,513 US 7,213,715 B2 EP 03 744 296.9		©2005/12/08	©y
<b>PRODUITS DE SERVICE PUBLICS INNOVA INC.</b> <b>INNOVA PUBLIC UTILITY PRODUCTS INC.</b>			
<small>© 9105-0132 QUEBEC INC. and under exclusive license to INNOVA PUBLIC UTILITY PRODUCTS INC. (hereafter a "INNOVA"). All rights reserved. Protected under the Copyright Act of Canada and international treaties and agreements regarding copyrights. Violators are subject to prosecution and other legal recourse for infringement. Any reproduction, adaptation or other use or disclosure whatsoever, in whole or in part, and in any form or by any means whatsoever, strictly forbidden and requires the prior written approval of INNOVA. All data is the exclusive property of 9105-0132 QUEBEC INC. and under exclusive license to INNOVA and cannot be used nor disclosed in any way either without the prior written approval of INNOVA.</small>			
WEIGHT: 23 Lbs 10 Kg		TITLE: <b>Overall drawing of 4 sided safety barricade</b>	
COLOR: Security yellow	MATERIAL: Alu./Duralcan	SHEET(S): 3 / 4	PROJECT: IN-2001



QTE	COMPOSANTE	REV	DESCRIPTION	MATERIAU	
26	3	A2001-09	Assemblage tige de pied		
25	2	2333	Rondelle 1/4"		
24	1	A2001-02	02 Ass. 1er côté		
23	1	A2001-14	01 Ass. des trois côtés		
22	1	P2001-035	Butée de porte	UHMW Noir	
21	2	P2003-014	03 Insert inox	Inox 304	
20	3	P2001-017	03 Cylindre de pied	Delrin Noir	
19	2	P2108-014	01 Pied pôteau principal	Delrin noir	
18	2	310-805	Rivet pop inox 3/16" x 0.565"		
17	1	S2001-005_PLIER	RevB Étiquette NO. produit et NO. Série		
16	1	S2001-002	RevA Étiquette Instruction Manhole guard 34-1/2"		
15	1	S2001-001	RevA Étiquette Instruction Garde-corps 34-1/2"		
14	1	A2001-01	03 Barricade 4 côtés		
13	1	S2001-007_PLIER	Étiquette temporaire		
12	2	S2001-003_PLIER	Logo XTIRPA		
11	2	RST-116_7PO	autocolant réfléchissant		
10	7	RST-116	AUTOCOLANT RÉFLÉCHISSANT		
9	2	RB-115	Buttoir en caoutchouc		
8	2	HN-2035	Écrou garniture nylon 1/2-13		
7	2	HC-83	Boulon acier 1/2-13 4"		
6	2	672-057YZ	Rondelle dentée 1/4"		
5	4	310-836	Rivet 1/8" x .640" grip		
4	3	310-802	Rivet 1/8" x 1/4" grip		
3	2	301-443	Rivet Rivdel 1/4"		
2	1	37-25-071-24	Attache Southco (Ancrage)		
1	1	37-11-071-20	Attache Southco (Poignée)		
IDX	QTE	COMPOSANTE	REV	DESCRIPTION	MATERIAU

PAT. NO.:  
 CA 2.479.513  
 US 7,213,715 B2  
 EP 03 744 296.9

©2005/12/08 ©y

**PRODUITS DE SERVICE PUBLICS INNOVA INC.**  
**INNOVA PUBLIC UTILITY PRODUCTS INC.**

© 9105-0732 QUEBEC INC. and under exclusive license to INNOVA PUBLIC UTILITY PRODUCTS INC., (hereafter « INNOVA »). All rights reserved. Protected under the Copyright Act of Canada and international treaties and agreements regarding copyrights. Violators are subject to prosecution and other legal recourses for infringement. Any reproduction, adaptation or other use or disclosure whatsoever, in totality or in part, and in any form or by any means whatsoever, strictly forbidden and requires the prior written approval of INNOVA. All data is the exclusive property of 9105-0732 QUEBEC INC. and under exclusive license to INNOVA and cannot be used nor disclosed in any way either without the prior written approval of INNOVA.

WEIGHT: 23 Lbs / 10 Kg

TITLE: Overall drawing of 4 sided safety barricade

COLOR: Security yellow MATERIAL: Alu./Duralcan SHEET(S): 4 / 4 PROJECT: IN-2001