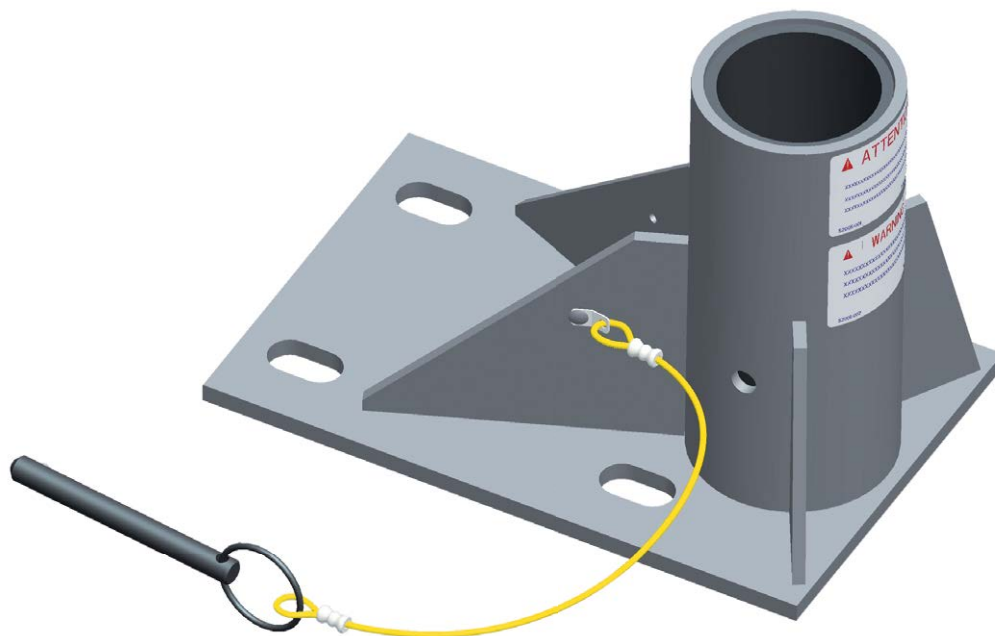


SPANSET XTIRPA FIXED DAVIT MAST ADAPTERS

Technical Data Sheet



SpanSet Australia Ltd

150 Old Bathurst Road
Emu Plains
NSW 2750
Australia

Telephone

+61 2 4735 3955

Fax

+61 2 4735 3630

Email



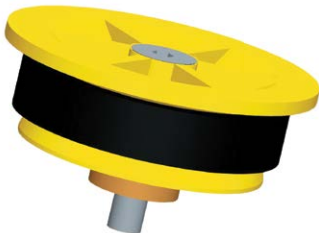
sales@spanset.com.au

Internet

www.spanset.com.au

Fixed Davit Mast Adapters

Name	Code	Features	Appearance
Stainless Steel Floor Mount Adapter For 600mm Davit	SPXTIN2005	<ul style="list-style-type: none"> - 10kg weight - 31.8cm long x 25.4cm wide x 23.5cm high - Maximum working capacity of 164kg - Maximum working moment: 0.9kN - Maximum moment: 13.5kN - Stainless steel plate, gussets and sleeve - PVC pipe sleeve bearing - Stainless steel pin - Nylon covered steel cable lanyard 	
Stainless Steel Floor Mount Adapter For 1200mm Davit	SPXTIN2238	<ul style="list-style-type: none"> - 23kg weight - 36.83cm long x 20.3cm wide x 23.5cm high - Maximum working capacity of 164kg - Maximum working moment: 1.9kN - Maximum moment: 19.5kN - Stainless steel plate, gussets and sleeve - Acetal black delrin sleeve bearing - Zinc plated steel pin - Nylon covered steel cable lanyard 	
Stainless Steel Floor Mount Adapter For 2400mm Davit	SPXTIN2201	<ul style="list-style-type: none"> - 33kg weight - 43.18cm long x 43.18cm wide x 28.58cm high - Maximum working capacity of 164kg - Maximum working moment: 3.9kN - Maximum moment: 39kN - Stainless steel plate, gussets and sleeve - PVC pipe sleeve bearing 	
Sleeve Adapter For 600mm Davit	SPXTIN2097	<ul style="list-style-type: none"> - 5kg weight - 23.18cm high - Maximum working capacity of 164kg - Maximum working moment: 0.9kN - Maximum moment: 13.5kN - Stainless steel plate and sleeve - PVC pipe sleeve bearing 	
Wall Adapter For 600mm Davit	SPXTIN2013	<ul style="list-style-type: none"> - 13kg weight - 22.9cm wide x 40.6cm high x 4.38cm deep - Maximum working capacity of 164kg - Maximum working moment: 0.9kN - Maximum moment: 13.5kN - Stainless steel plate, gussets and sleeve - PVC pipe sleeve bearing - Stainless steel pin - Nylon covered steel cable lanyard 	
Flush Floor Adapter For 600mm Davit	SPXTIN2006	<ul style="list-style-type: none"> - 10kg weight - 22.86cm long x 22.86cm high x 23.81cm high - Maximum working capacity of 164kg - Maximum working moment: 0.9kN - Maximum moment: 13.5kN - Stainless steel plate, gussets and sleeve - PVC pipe sleeve bearing 	

Name	Code	Features	Appearance
Barrel Adapter For 600mm Davit	SPXTIN2021	<ul style="list-style-type: none"> - 14kg weight - 21.59cm wide x 31.75cm high x 33.42cm deep - Maximum working capacity of 164kg - Maximum working moment: 0.9kN - Maximum moment: 9.7kN - 22kN wall strength required - Stainless steel plate and gussets - PVC pipe sleeve bearing - Gr.5 zinc plated steel pin - Nylon covered steel cable lanyard 	
'H' Beam Adapter For 600mm Davit	SPXTIN2085	<ul style="list-style-type: none"> - 25kg weight - 32.8cm wide x 58cm high x 30.9cm deep - Maximum working capacity of 164kg - Maximum working moment: 0.9kN - Maximum moment: 9.7kN - Stainless steel plate, gussets, threaded rod and sleeve - PVC pipe sleeve bearing - Stainless steel pin and hardware - Nylon covered steel cable lanyard 	
Adapter Cap	SPXTIN2072	<ul style="list-style-type: none"> - 0.2kg weight - 8.89cm diameter x 50.8cm deep - Yellow plastic body - Black rubber surround 	

Training Courses

Height Safety

Working Safely at Height
Working Safely at Heights Refresher
Height Safety Supervisor*
Height Safety Manager*

Rescue

Rescue Systems Operator*
Vertical Rescue*
Tower and Pole Rescue*
Wind Access Rescue Technician*
EWP Emergency Escape
Gotcha Rescue

Confined Space

Confined Space*
Confined Space - Refresher*
Breathing Apparatus*
Confined Space Non-Entry Rescue*

Inspection

Competent Person Practical
Inspection and Record Keeping*



SpanSet Accreditations

ISO 9001:2015 Certified Quality
Management System

ISO 14001:2015 Certified Environment
Management System

OHSAS 18001:2007 Certified Occupational
Health and Safety Management Systems

Australian/New Zealand Standard
4801:2001 certified Occupational Health
and Safety Management Systems

Accredited for compliance with ISO/IEC
17025 - Testing

ASQA Registered Training Organisation
certified to ISO 9001:2008

Certified manufacturer to AS/NZS 1891.1
"Industrial Fall Arrest Systems and Devices"

Certified manufacturer to AS/NZS 1353.1
"Flat Synthetic Webbing Slings"

Certified manufacturer to AS/NZS 4497
"Round Slings—Synthetic Fibre"

www.spanset.com.au

