



SpanSet Australia Ltd

150 Old Bathurst Road
Emu Plains
NSW 2750
Australia

Telephone

+61 2 4735 3955

Fax

+61 2 4735 3630

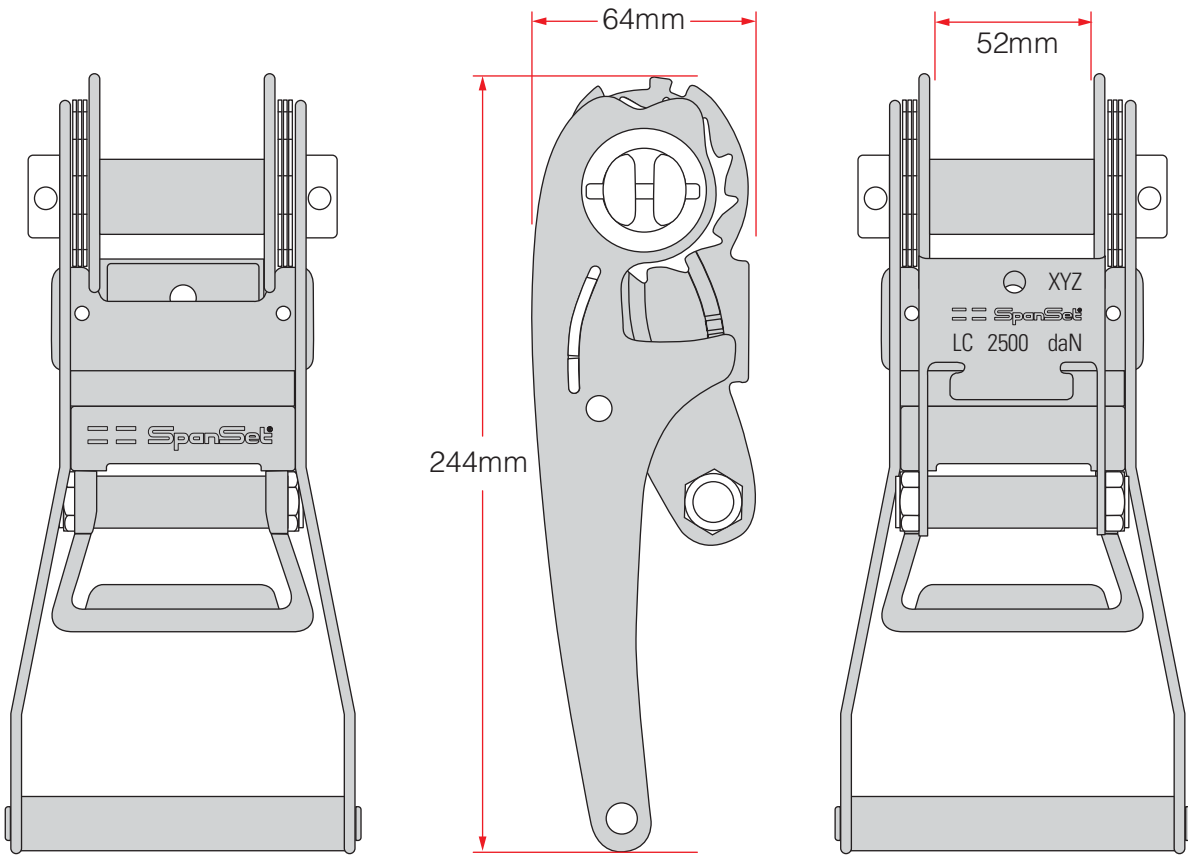
Email

sales@spanset.com.au

Internet

www.spanset.com.au

20020 2 Part ABS Ratchet Assemblies



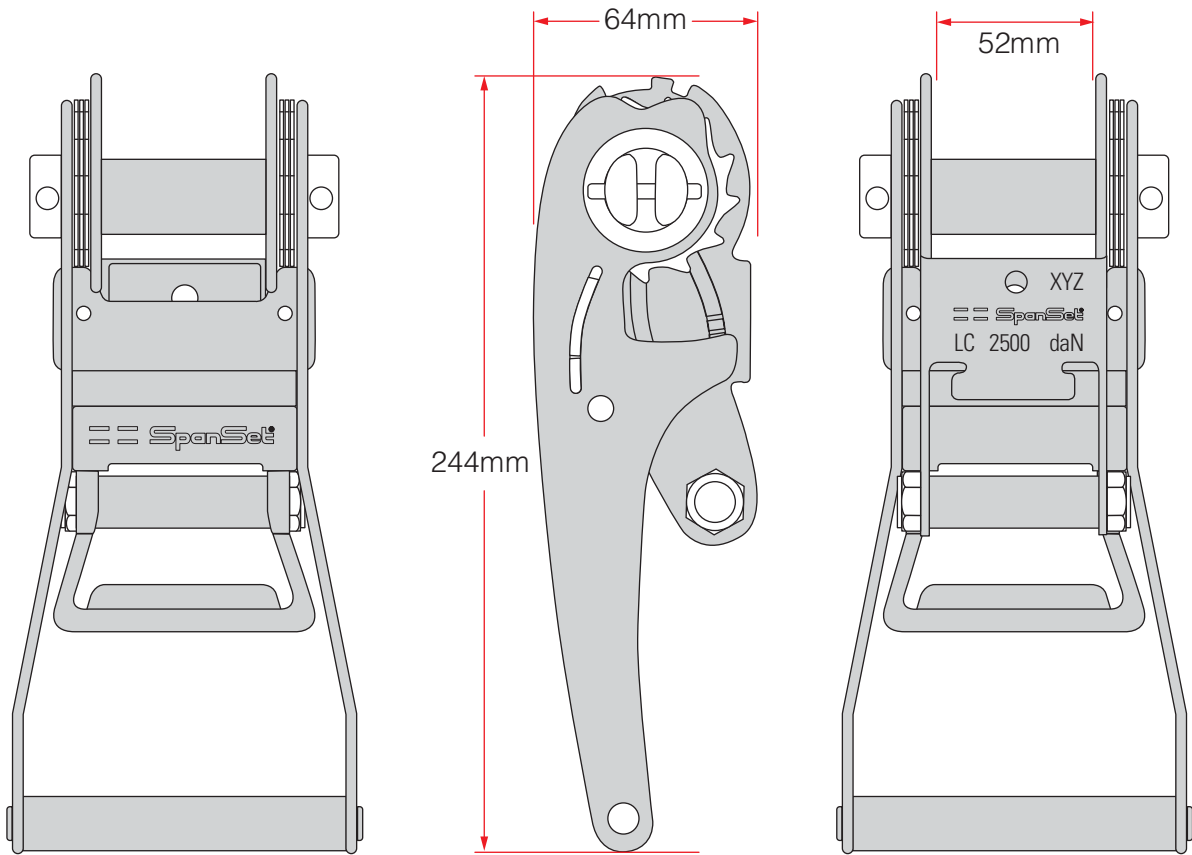
Technical Specifications - Two Part

Code	Description	Lashing Capacity (kg)	Width (mm)	Length (m)	Pretension (kg)
20020D21-06	Ratchet assembly fitted with hooks and keepers	2500	50	6.0	600
20020D21-09	Ratchet assembly fitted with hooks and keepers	2500	50	9.0	600
20020D21-12	Ratchet assembly fitted with hooks and keepers	2500	50	12.0	600

20020D21-09



20020 Power Assisted ABS Ratchet Assemblies

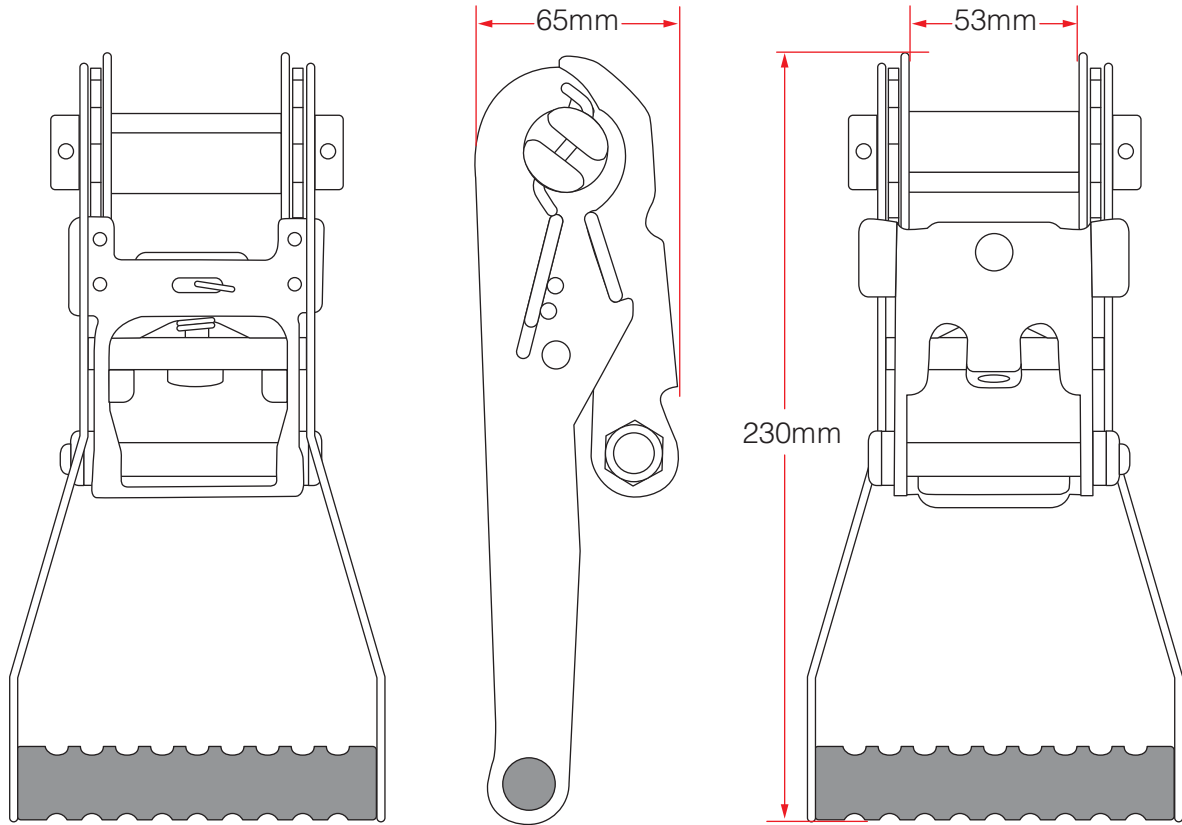


Technical Specifications - Power Assisted

Code	Description	Lashing Capacity (kg)	Width (mm)	Length (m)	Pretension (kg)
20020D4952-1.5	Ratchet assembly fitted with triangles and latch hooks	5000	50	1.5	1200
20020D4952-3.0	Ratchet assembly fitted with triangles and latch hooks	5000	50	1.5	1200



1857 Non ABS Ratchet Assemblies



Technical Specifications - Two Part

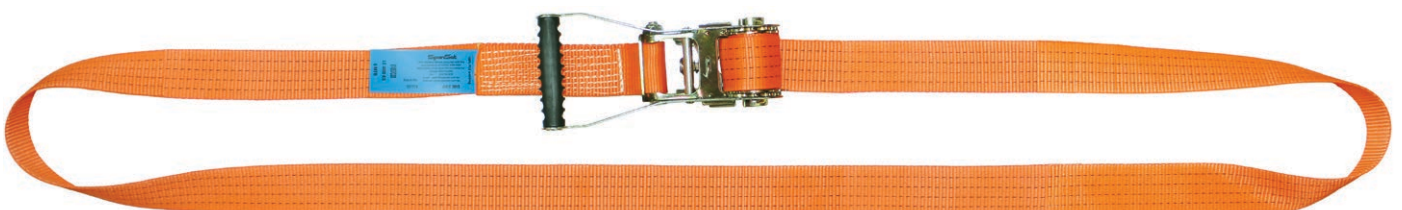
Code	Description	Lashing Capacity (kg)	Width (mm)	Length (m)	Pretension (kg)
1857 D210-09	Ratchet assembly	2500	50	9.0	350
1857 C20-04	Ratchet assembly	2000	50	4.0	350
1857 C20-09	Ratchet assembly	2000	50	9.0	350

1857 D210-09



Technical Specifications - Endless

Code	Description	Lashing Capacity (kg)	Width (mm)	Length (m)	Pretension (kg)
1857 C00-06	Ratchet assembly	4000	50	6.0	700
1857 C00-09	Ratchet assembly	4000	50	9.0	700



Training Courses

Height Safety

Working Safely at Height
Working Safely at Heights Refresher
Height Safety Supervisor*
Height Safety Manager*

Rescue

Rescue Systems Operator*
Vertical Rescue*
Tower and Pole Rescue*
Wind Access Rescue Technician*
EWP Emergency Escape
Gotcha Rescue

Confined Space

Confined Space*
Confined Space - Refresher*
Breathing Apparatus*
Confined Space Non-Entry Rescue*

Inspection

Competent Person Practical
Inspection and Record Keeping*



SpanSet Accreditations

ISO 9001:2015 Certified Quality
Management System

ISO 14001:2015 Certified Environment
Management System

OHSAS 18001:2007 Certified Occupational
Health and Safety Management Systems

Australian/New Zealand Standard
4801:2001 certified Occupational Health
and Safety Management Systems

Accredited for compliance with ISO/IEC
17025 - Testing

ASQA Registered Training Organisation
certified to ISO 9001:2008

Certified manufacturer to AS/NZS 1891.1
"Industrial Fall Arrest Systems and Devices"

Certified manufacturer to AS/NZS 1353.1
"Flat Synthetic Webbing Slings"

Certified manufacturer to AS/NZS 4497
"Round Slings—Synthetic Fibre"

www.spanset.com.au

