



**SpanSet Australia Ltd**

150 Old Bathurst Road  
Emu Plains  
NSW 2750  
Australia

**Telephone**

+61 2 4735 3955

**Fax**

+61 2 4735 3630

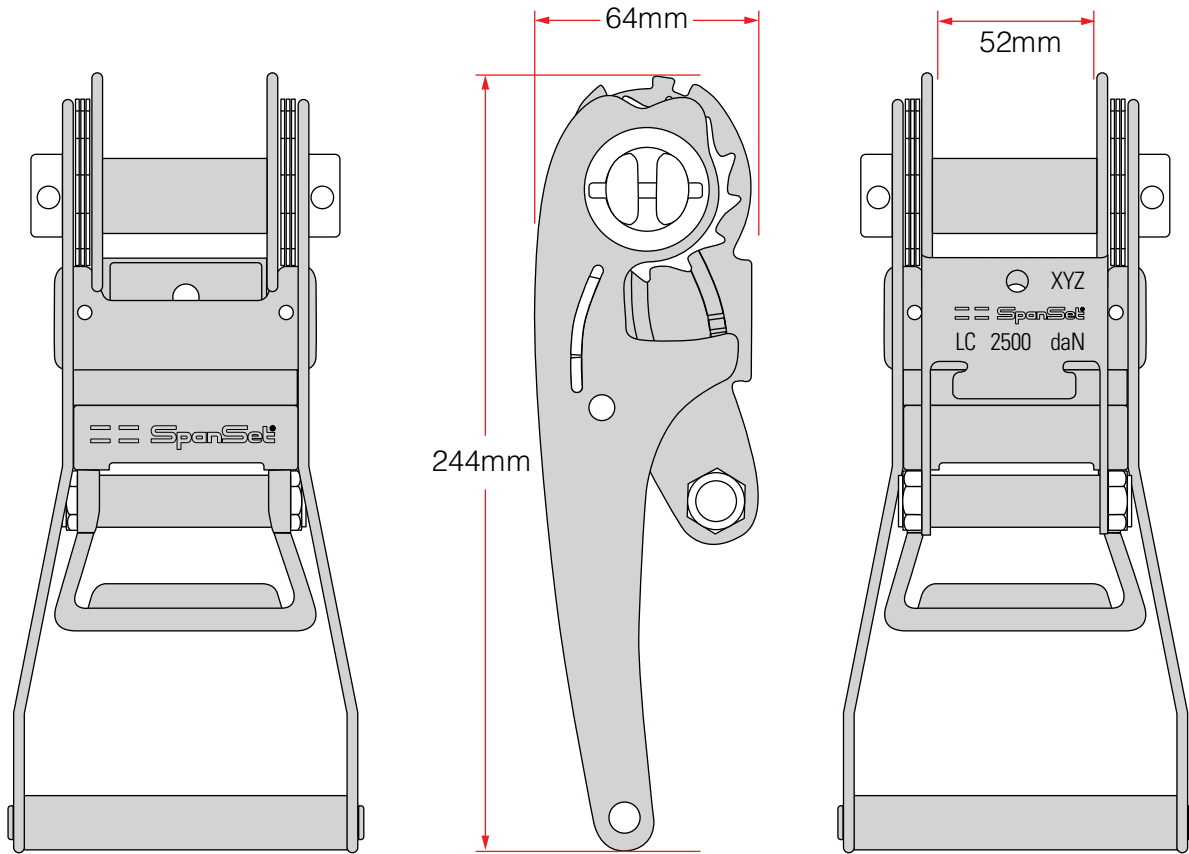
**Email**

[sales@spanset.com.au](mailto:sales@spanset.com.au)

**Internet**

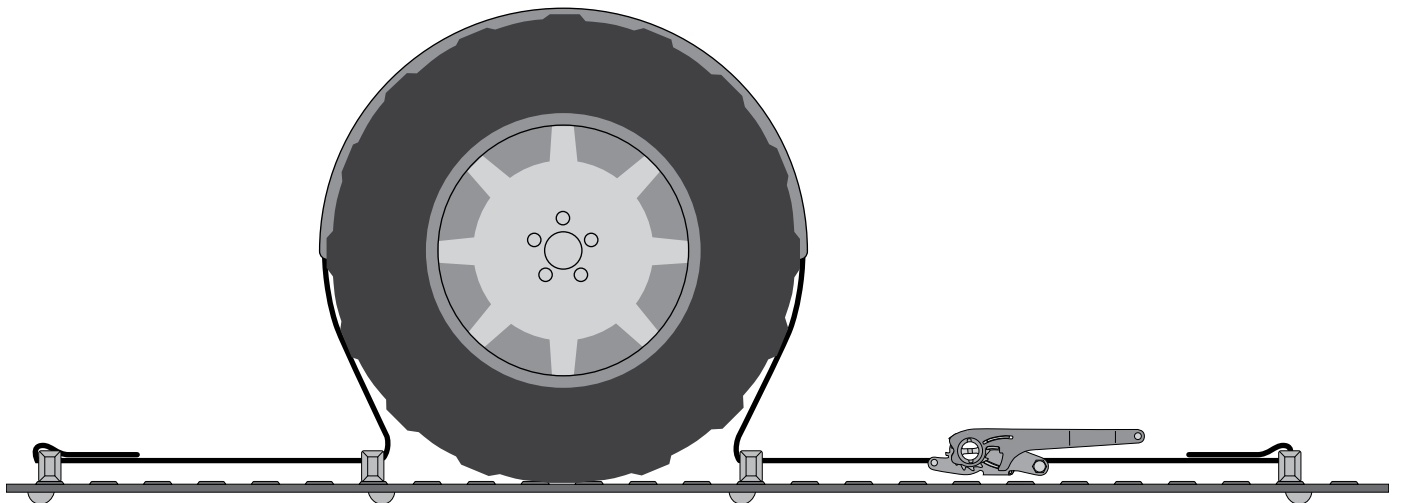
[www.spanset.com.au](http://www.spanset.com.au)

# 20002-CARFIX Car Fix Assembly



## Technical Specifications

Code	Description	Lashing Capacity (kg)	Width (mm)	Length (m)	Break Strength (kg)	Weight (kg)
<b>20002-CARFIX</b>	Ratchet assembly with high performance polyester webbing, fitted with heavy duty car fix hooks	2500	50	2.8	5000kg	5.06



## Training Courses

### Height Safety

Working Safely at Height  
Working Safely at Heights Refresher  
Height Safety Supervisor\*  
Height Safety Manager\*

### Rescue

Rescue Systems Operator\*  
Vertical Rescue\*  
Tower and Pole Rescue\*  
Wind Access Rescue Technician\*  
EWP Emergency Escape  
Gotcha Rescue

### Confined Space

Confined Space\*  
Confined Space - Refresher\*  
Breathing Apparatus\*  
Confined Space Non-Entry Rescue\*

### Inspection

Competent Person Practical  
Inspection and Record Keeping\*



## SpanSet Accreditations

ISO 9001:2015 Certified Quality Management System

ISO 14001:2015 Certified Environment Management System

OHSAS 18001:2007 Certified Occupational Health and Safety Management Systems

Australian/New Zealand Standard 4801:2001 certified Occupational Health and Safety Management Systems

Accredited for compliance with ISO/IEC 17025 - Testing

ASQA Registered Training Organisation certified to ISO 9001:2008

Certified manufacturer to AS/NZS 1891.1  
"Industrial Fall Arrest Systems and Devices"

Certified manufacturer to AS/NZS 1353.1  
"Flat Synthetic Webbing Slings"

Certified manufacturer to AS/NZS 4497  
"Round Slings—Synthetic Fibre"

[www.spanset.com.au](http://www.spanset.com.au)

