



SpanSet Australia Ltd

150 Old Bathurst Road
Emu Plains
NSW 2750
Australia

Telephone

+61 2 4735 3955

Fax

+61 2 4735 3630

Email

sales@spanset.com.au

Internet

www.spanset.com.au

WaterWorks Corrosion Resistant Lanyards

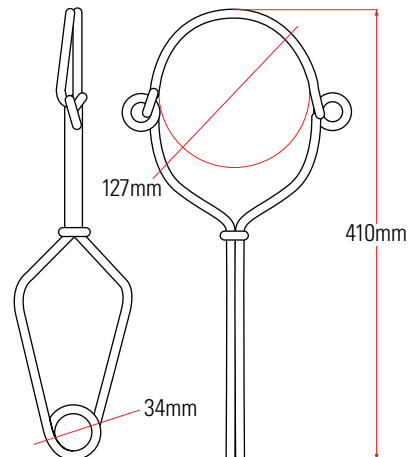
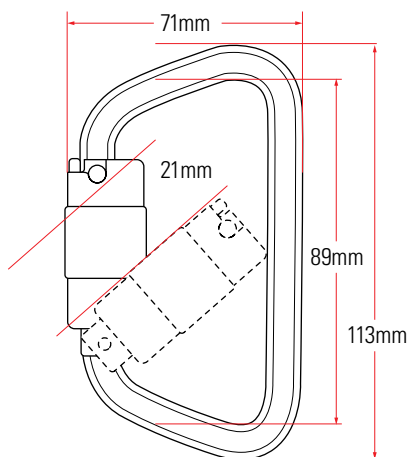


3053 WW K4



3055 WW

Code	Type	Material	Length	Fitting at Shock Absorber	Fitting at Free End	Weight
3053 WW K4	Single Leg	30kN 44mm Polyester Webbing	1.8m	K4 Stainless Steel Triple Action Karabiner	K4 Stainless Steel Triple Action Karabiner	1040g
3055 WW	Single Leg	30kN 44mm Polyester Webbing	1.8m	K4 Stainless Steel Triple Action Karabiner	RF17 Manulink	1207g



Training Courses

Height Safety

Working Safely at Height
Working Safely at Heights Refresher
Height Safety Supervisor*
Height Safety Manager*

Rescue

Rescue Systems Operator*
Vertical Rescue*
Tower and Pole Rescue*
Wind Access Rescue Technician*
EWP Emergency Escape
Gotcha Rescue

Confined Space

Confined Space*
Confined Space - Refresher*
Breathing Apparatus*
Confined Space Non-Entry Rescue*

Inspection

Competent Person Practical
Inspection and Record Keeping*



SpanSet Accreditations

ISO 9001:2015 Certified Quality
Management System

ISO 14001:2015 Certified Environment
Management System

OHSAS 18001:2007 Certified Occupational
Health and Safety Management Systems

Australian/New Zealand Standard
4801:2001 certified Occupational Health
and Safety Management Systems

Accredited for compliance with ISO/IEC
17025 - Testing

ASQA Registered Training Organisation
certified to ISO 9001:2008

Certified manufacturer to AS/NZS 1891.1
"Industrial Fall Arrest Systems and Devices"

Certified manufacturer to AS/NZS 1353.1
"Flat Synthetic Webbing Slings"

Certified manufacturer to AS/NZS 4497
"Round Slings—Synthetic Fibre"

www.spanset.com.au

