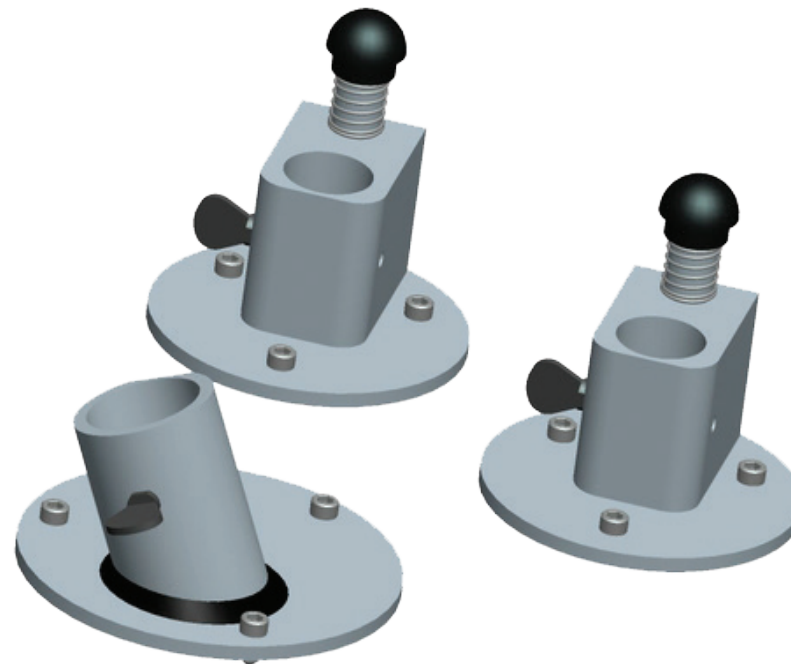


SPXTA2001-18: Spike Kit For Manhole Guard



SpanSet Australia Ltd

150 Old Bathurst Road
Emu Plains
NSW 2750
Australia

Telephone

+61 2 4735 3955

Fax

+61 2 4735 3630

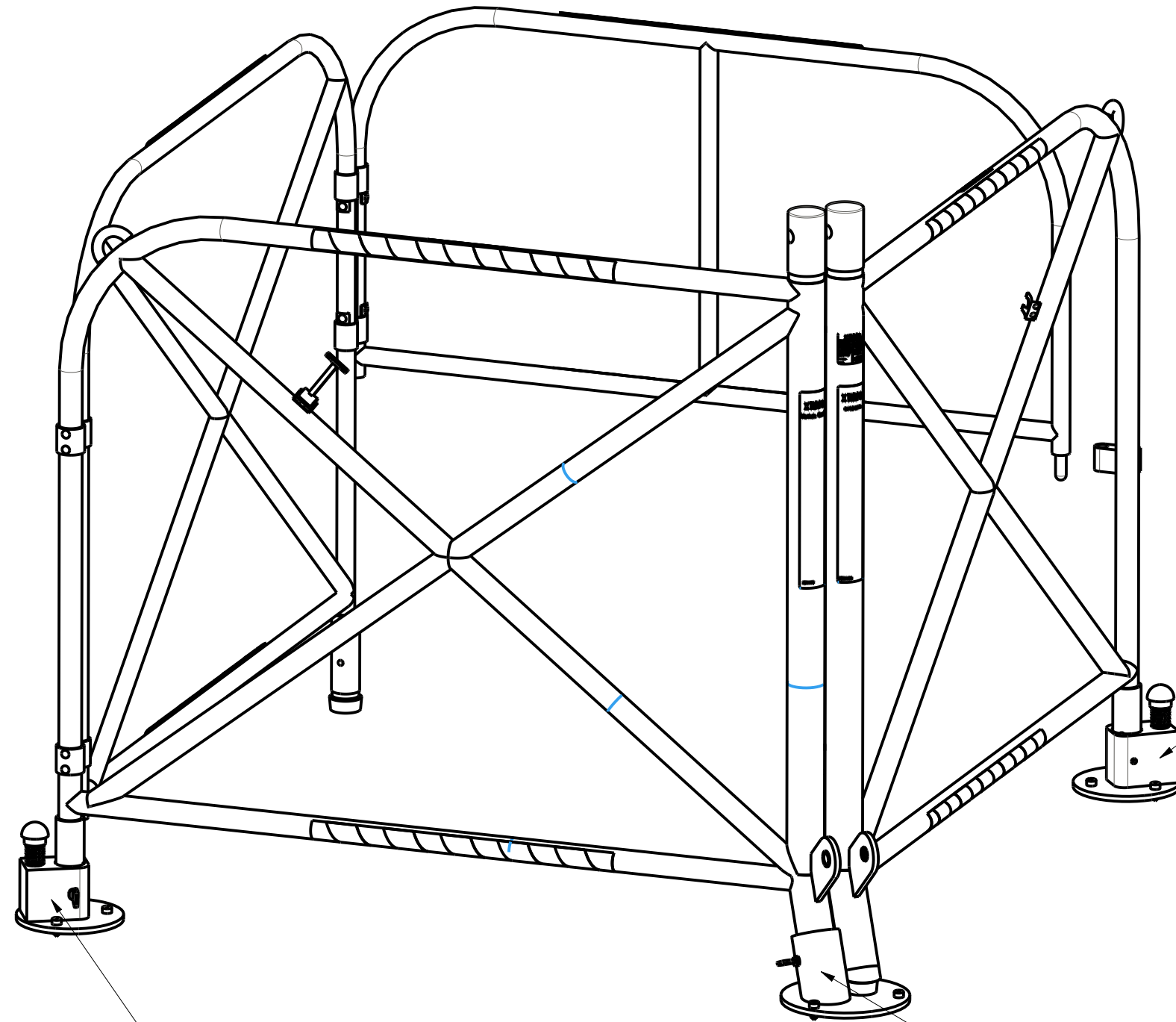
E-mail

sales@spanset.com.au

Internet

www.spanset.com.au

Product number: SPXTA2001-18



SPXTA2001-16

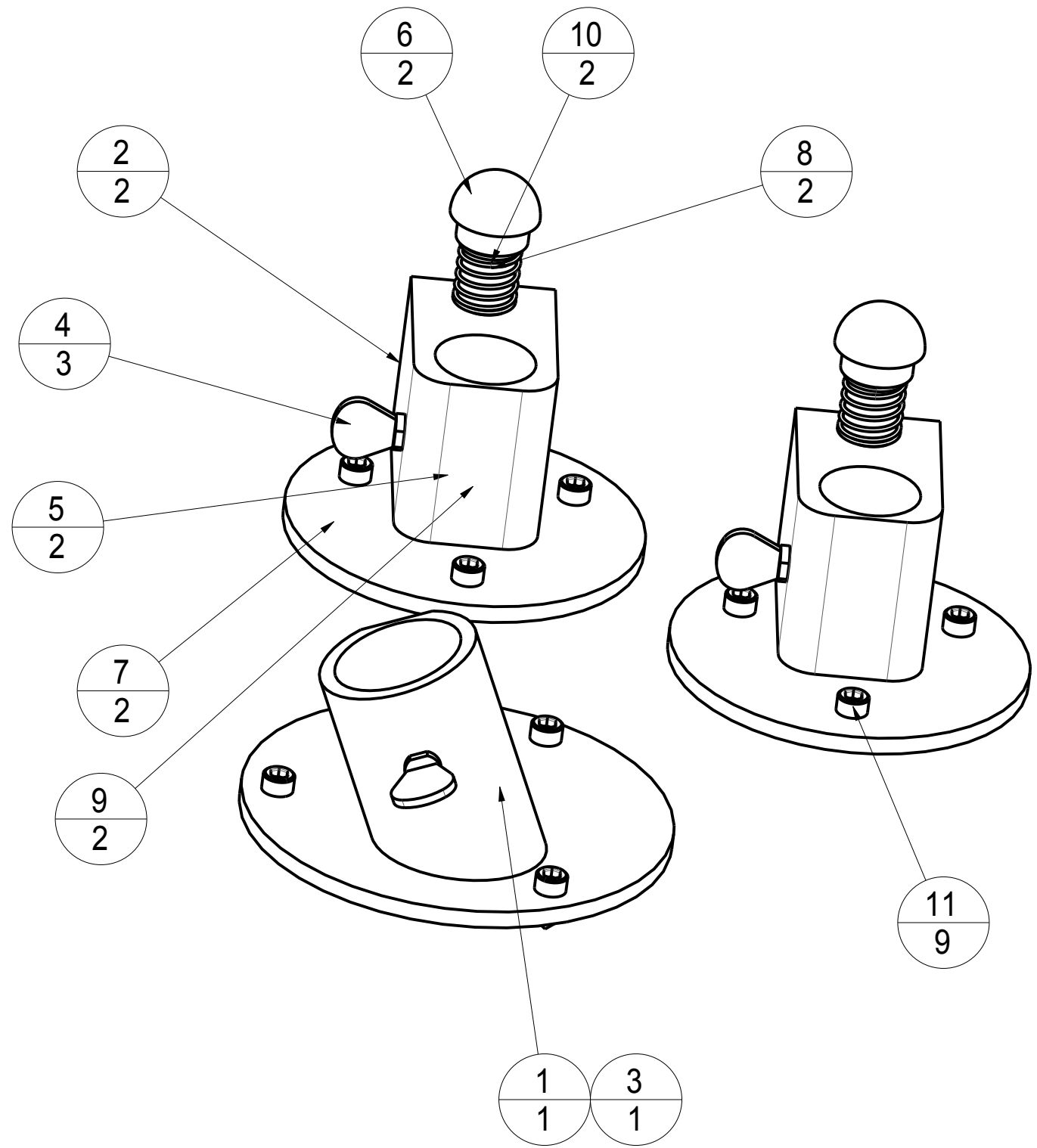
SPXTA2001-16

SPXTA2001-26

PAT. NO.:		©	©
PRODUITS DE SERVICE PUBLICS INNOVA INC. INNOVA PUBLIC UTILITY PRODUCTS INC.			
<small>© 9105-0732 QUEBEC INC. and under exclusive license to INNOVA PUBLIC UTILITY PRODUCTS INC., (hereafter « INNOVA »). All rights reserved. Protected under the Copyright Act of Canada and international treaties and agreements regarding copyrights. Violators are subject to prosecution and other legal recourses for infringement. Any reproduction, adaptation or other use or disclosure whatsoever, in totality or in part, and in any form or by any means whatsoever, strictly forbidden and requires the prior written approval of INNOVA. All data is the exclusive property of 9105-0732 QUEBEC INC. and under exclusive license to INNOVA and cannot be used nor disclosed in any way either without the prior written approval of INNOVA.</small>			
WEIGHT:	TITLE:		
4 Lbs	Spike Kit for Manhole Guard		
2 Kg			
COLOR:	MATERIAL:	SHEET(S):	PROJECT:
	Aluminum	1 / 2	SPXTA2001-18

Product number: **SPXTA2001-18**

H
G
F
E
D
C
B
A



IDX	QTE	COMPOSANTE	REV	DESCRIPTION	MATERIAU
11	9	P2001-045		Vis tête cylin. 6 pans 5/16-18 x 5/8"	
10	2	B-630		Ressort compr. 7/8" x 2"	SPRING STEEL
9	2	P2001-038	02	Adaptateur de patte de côté	Alu. 6061-T6
8	2	P2001-060		Tige de poussé	Alu 6061-T6
7	2	P2001-044	01	Petite plaque de support	Alu 6061-T6
6	2	P2001-041	01	Bouton de blocage du ressort	Acetal delrin noir
5	2	370-308		Vis inox tête plate 6 pans cr. 10-24 UNC x 1/2"	
4	3	565-045		Vis oeillet embout nylon 5/16-18 x 3/4"	
3	1	A2001-25		Ass. soudé patte arrière	
2	2	A2001-16		Ass. patte de côté	
1	1	A2001-26		Ass. patte arrière	

PAT. NO.:		©	©
PRODUITS DE SERVICE PUBLICS INNOVA INC. INNOVA PUBLIC UTILITY PRODUCTS INC.			
© 9105-0732 QUEBEC INC. and under exclusive license to INNOVA PUBLIC UTILITY PRODUCTS INC., (hereafter « INNOVA »). All rights reserved. Protected under the Copyright Act of Canada and international treaties and agreements regarding copyrights. Violators are subject to prosecution and other legal recourses for infringement. Any reproduction, adaptation or other use or disclosure whatsoever, in totality or in part, and in any form or by any means whatsoever, strictly forbidden and requires the prior written approval of INNOVA. All data is the exclusive property of 9105-0732 QUEBEC INC. and under exclusive license to INNOVA and cannot be used nor disclosed in any way either without the prior written approval of INNOVA.			
WEIGHT:	TITLE:		
4 Lbs 2 Kg	Spike Kit for Manhole Guard		
COLOR:	MATERIAL:	SHEET(S):	PROJECT:
	Aluminum	2 / 2	SPXTA2001-18