

## SPXTA2001-28: Large Rubber Feet for Manhole Guard



**SpanSet Australia Ltd**

150 Old Bathurst Road  
Emu Plains  
NSW 2750  
Australia

**Telephone**

+61 2 4735 3955

**Fax**

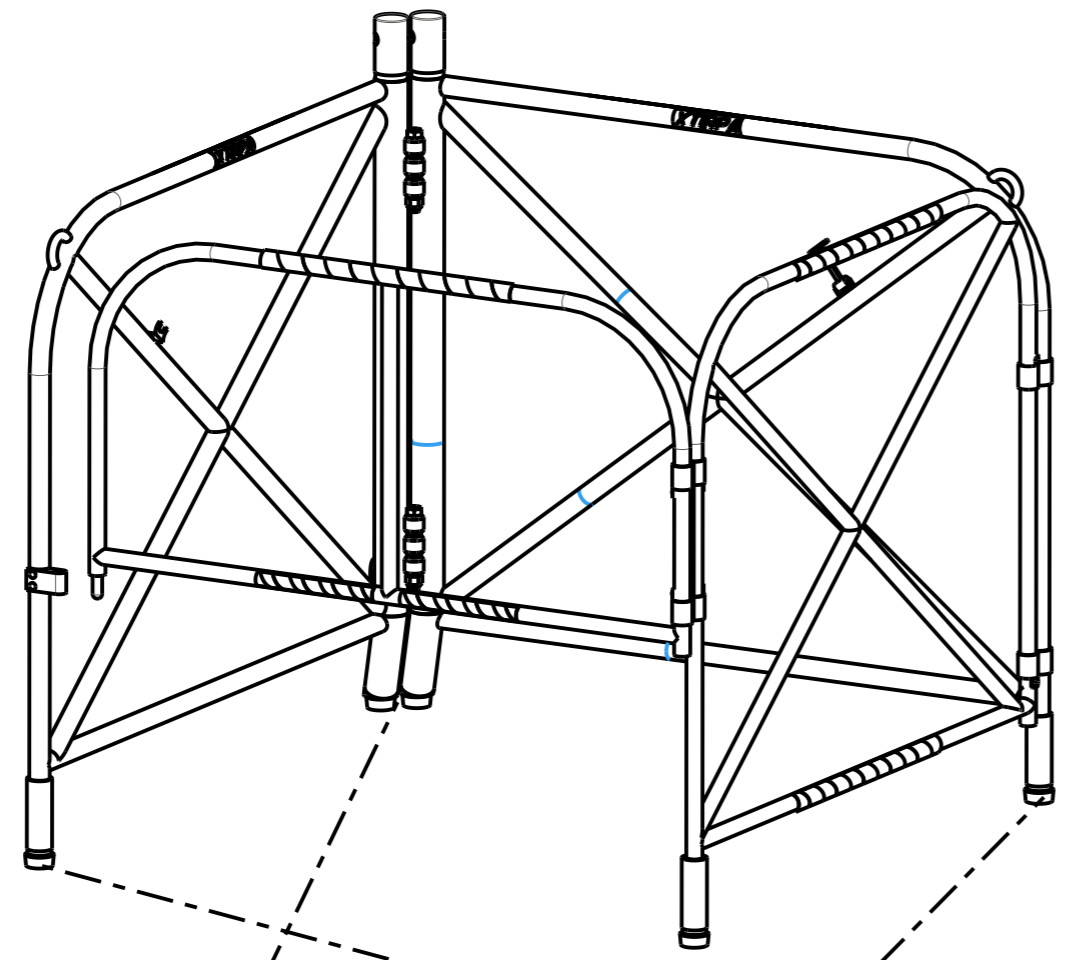
+61 2 4735 3630

**E-mail**

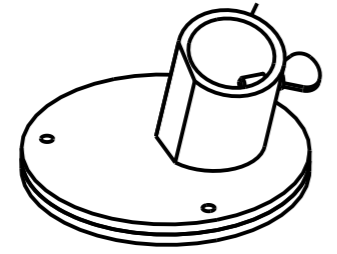
[sales@spanset.com.au](mailto:sales@spanset.com.au)

**Internet**

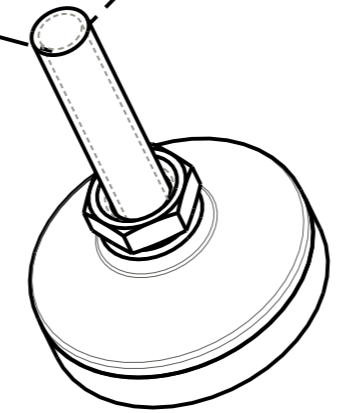
[www.spanset.com.au](http://www.spanset.com.au)



SPXTA2001-27 1X



SPXTA2001-21 2X



PAT. NO.:		©	©
<b>PRODUITS DE SERVICE PUBLICS INNOVA INC.</b> <b>INNOVA PUBLIC UTILITY PRODUCTS INC.</b>			
© 9105-0732 QUEBEC INC. and under exclusive license to INNOVA PUBLIC UTILITY PRODUCTS INC., (hereafter « INNOVA »). All rights reserved. Protected under the Copyright Act of Canada and international treaties and agreements regarding copyrights. Violators are subject to prosecution and other legal recourses for infringement. Any reproduction, adaptation or other use or disclosure whatsoever, in totality or in part, and in any form or by any means whatsoever, strictly forbidden and requires the prior written approval of INNOVA. All data is the exclusive property of 9105-0732 QUEBEC INC. and under exclusive license to INNOVA and cannot be used nor disclosed in any way either without the prior written approval of INNOVA.			
WEIGHT:	TITLE:		
5 Lbs	<b>Large Rubber Feet for Manhole Guard</b>		
2 Kg			
COLOR:	MATERIAL:	SHEET(S):	PROJECT:
	Aluminum	1 / 2	SPXTA2001-28

8

7

6

5

4

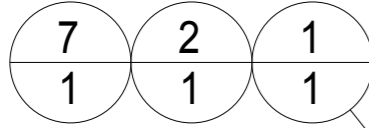
3

2

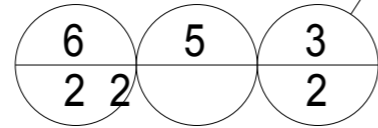
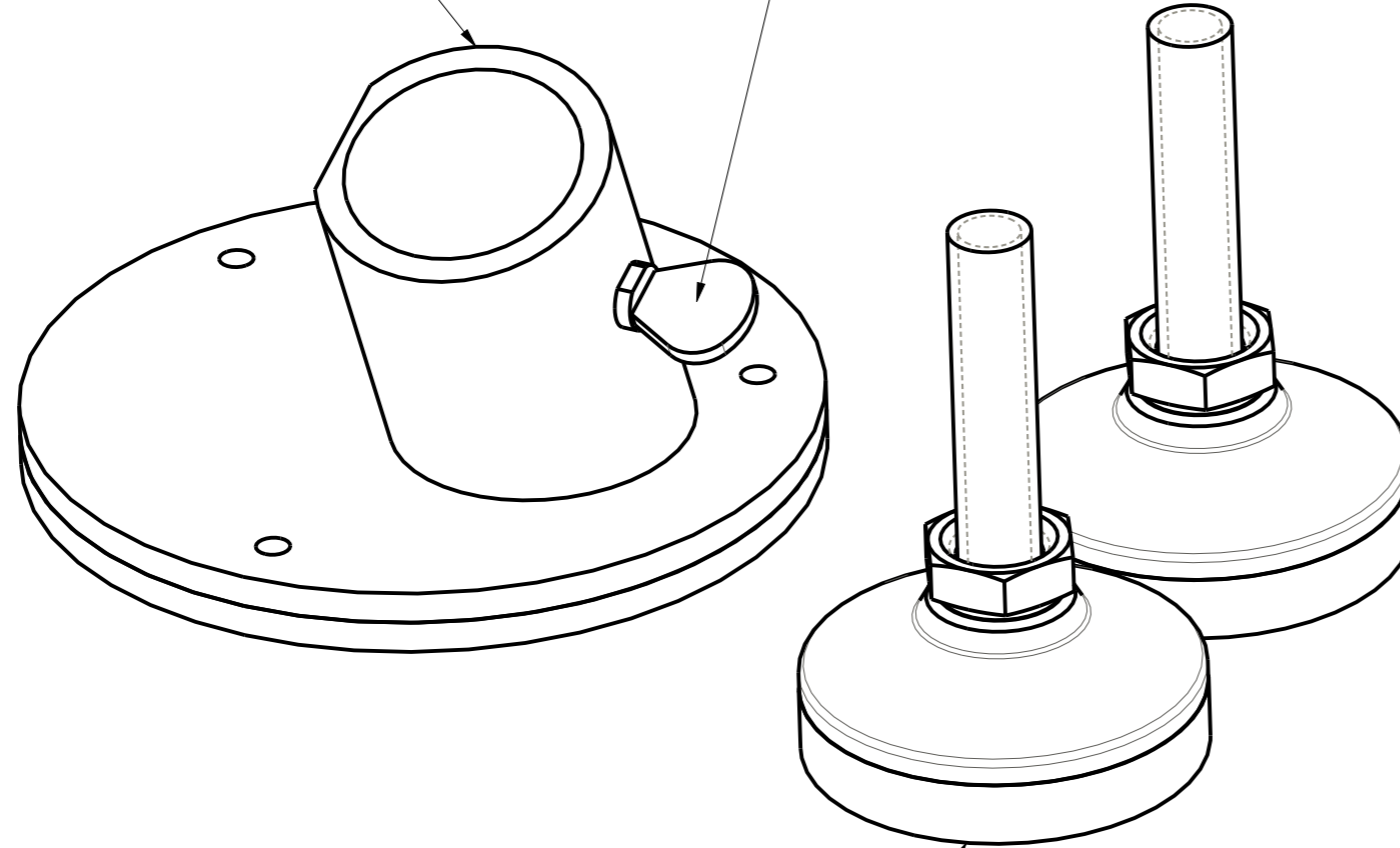
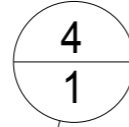
1

Product number: **SPXTA2001-28**

7	1	P2001-052		Rondelle de caoutchouc	SBR-60
6	2	P2001-065	02	Tige filetée pour pied	Inox. 304
5	2	11TTNT		Stainless steel snap-lock no-skid leveling mount 3"	
4	1	565-045		Vis oeillet embout nylon 5/16-18 x 3/4"	
3	2	A2001-21	01	Patte pour surface troué	
2	1	A2001-25		Ass. soudé patte arrière	
1	1	A2001-27		Ass. patte arrière avec caoutchouc	
IDX	QTE	COMPOSANTE	REV	DESCRIPTION	MATERIAU



SPXTA2001-27



SPXTA2001-21

PAT. NO.:		©	©
<b>PRODUITS DE SERVICE PUBLICS INNOVA INC.</b> <b>INNOVA PUBLIC UTILITY PRODUCTS INC.</b>			
© 9105-0732 QUEBEC INC. and under exclusive license to INNOVA PUBLIC UTILITY PRODUCTS INC., (hereafter « INNOVA »). All rights reserved. Protected under the Copyright Act of Canada and international treaties and agreements regarding copyrights. Violators are subject to prosecution and other legal recourses for infringement. Any reproduction, adaptation or other use or disclosure whatsoever, in totality or in part, and in any form or by any means whatsoever, strictly forbidden and requires the prior written approval of INNOVA. All data is the exclusive property of 9105-0732 QUEBEC INC. and under exclusive license to INNOVA and cannot be used nor disclosed in any way either without the prior written approval of INNOVA.			
WEIGHT:	TITLE:		
5 Lbs	Large Rubber Feet for Manhole Guard		
2 Kg			
COLOR:	MATERIAL:	SHEET(S):	PROJECT:
	Aluminum	2 / 2	SPXTA2001-28

8

7

6

5

4

3

2

1