

## SPXTIN2045-01: 24" Mast Extension



### SpanSet Australia Ltd

150 Old Bathurst Road  
Emu Plains  
NSW 2750  
Australia

### Telephone

+61 2 4735 3955

### Fax

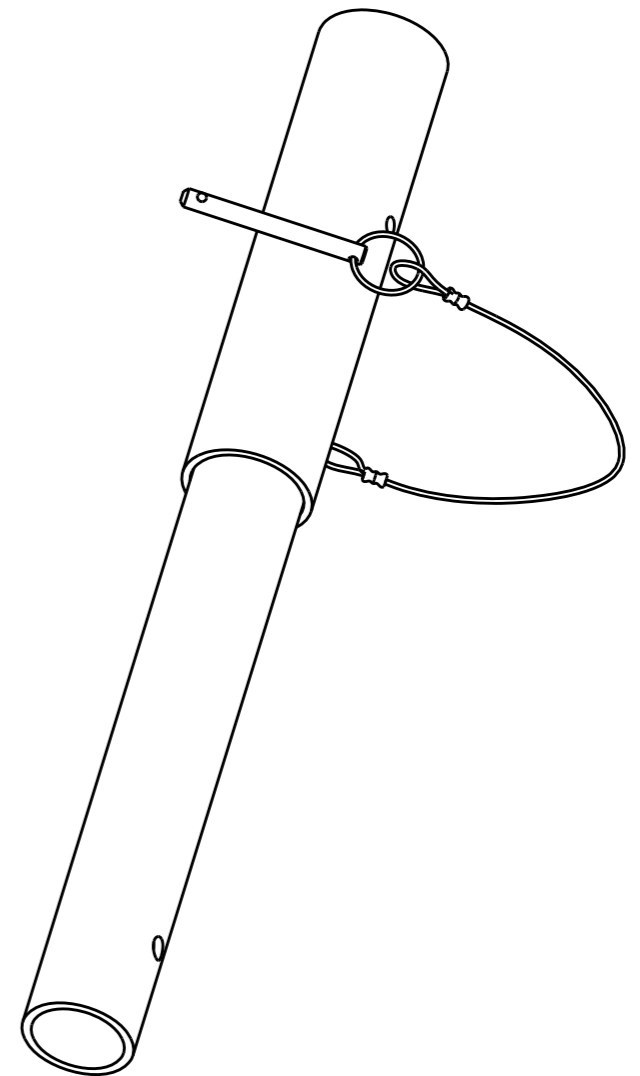
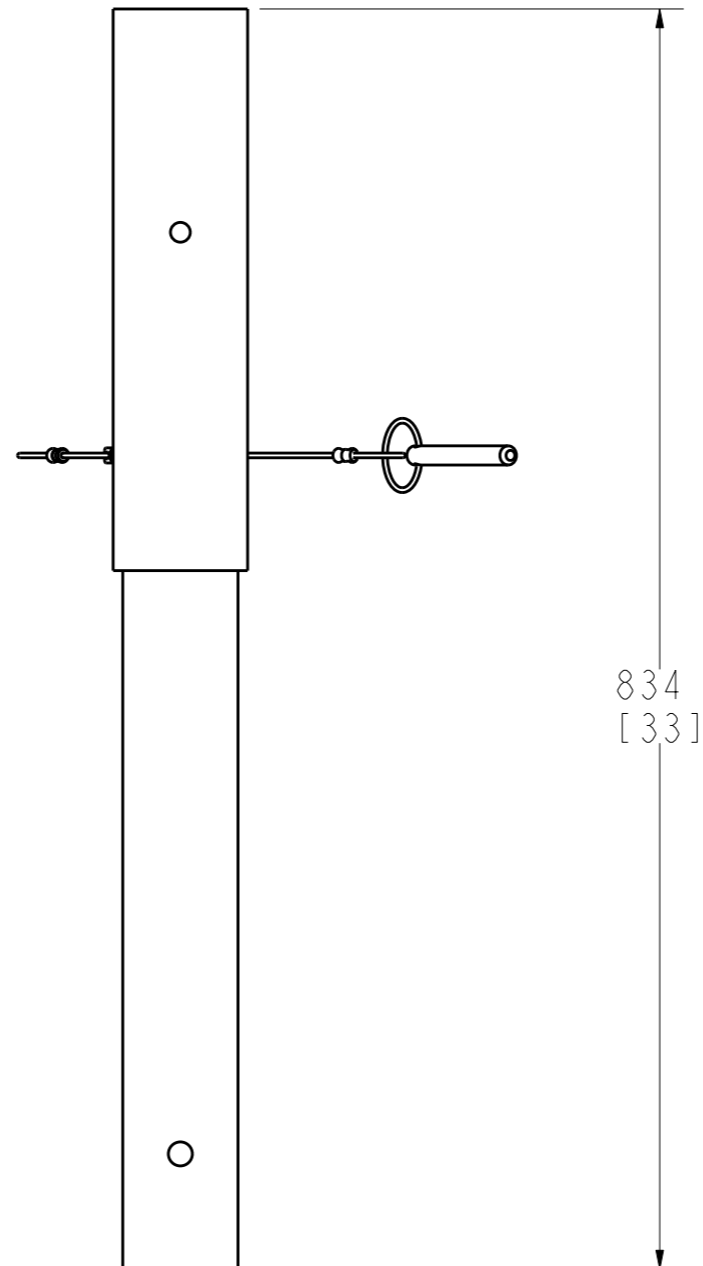
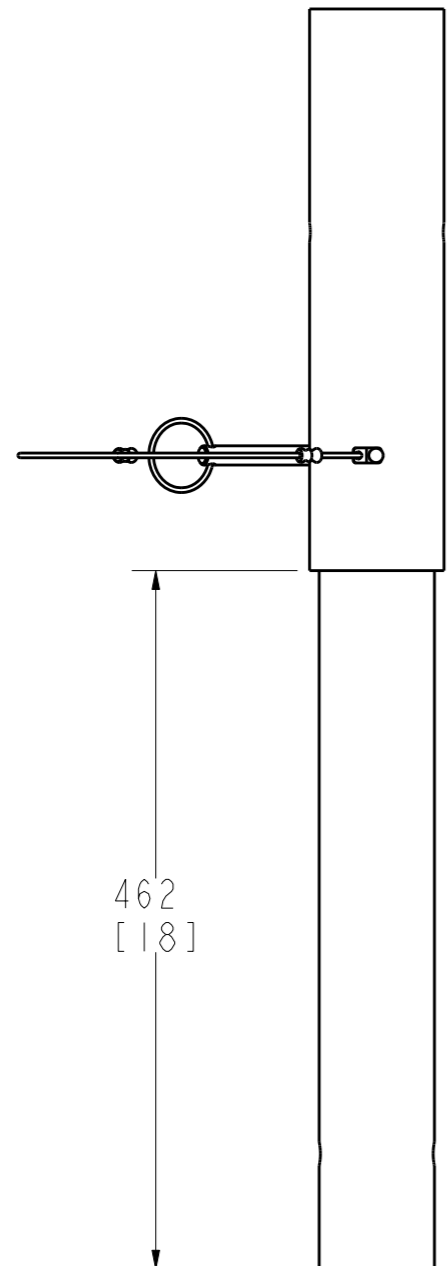
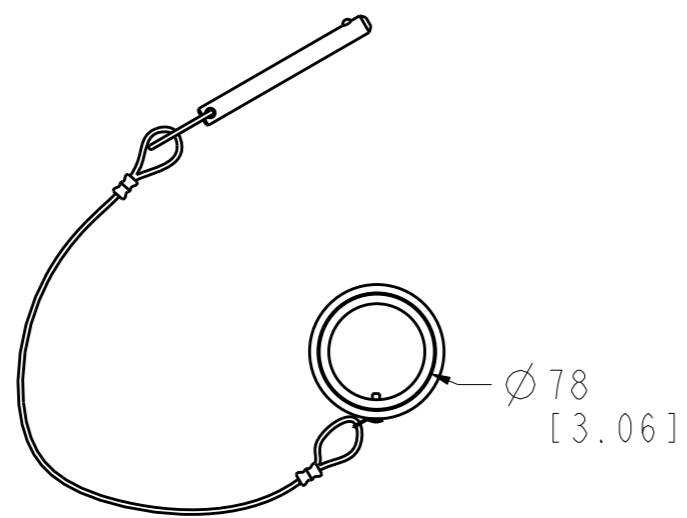
+61 2 4735 3630

### E-mail

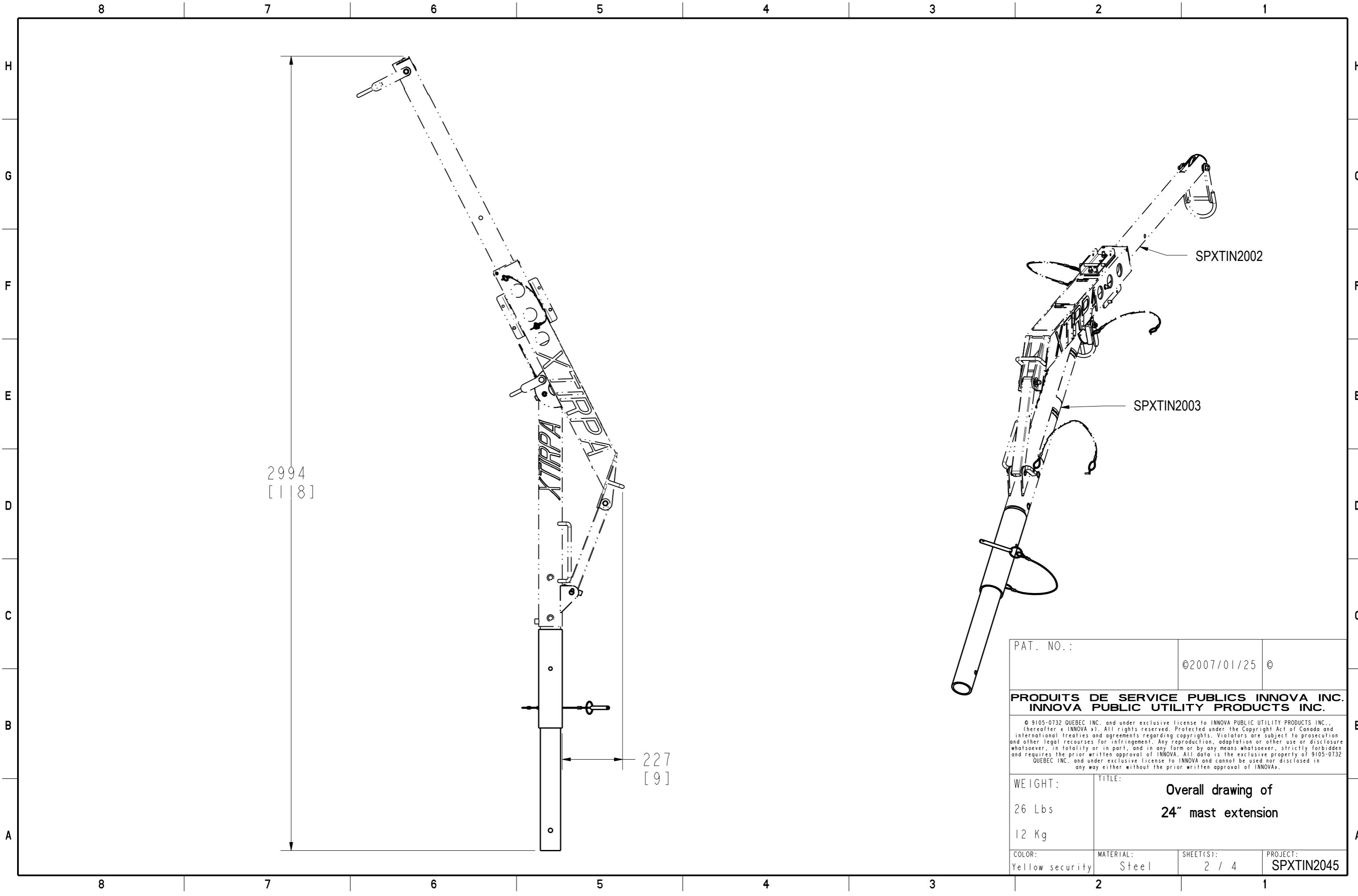
[sales@spanset.com.au](mailto:sales@spanset.com.au)

### Internet

[www.spanset.com.au](http://www.spanset.com.au)



PAT. NO. :		©2007/01/25 ©	
<b>PRODUITS DE SERVICE PUBLICS INNOVA INC. INNOVA PUBLIC UTILITY PRODUCTS INC.</b>			
<small>© 9105-0732 QUEBEC INC. and under exclusive license to INNOVA PUBLIC UTILITY PRODUCTS INC., (hereafter « INNOVA »). All rights reserved. Protected under the Copyright Act of Canada and international treaties and agreements regarding copyrights. Violators are subject to prosecution and other legal recourses for infringement. Any reproduction, adaptation or other use or disclosure whatsoever, in totality or in part, and in any form or by any means whatsoever, strictly forbidden and requires the prior written approval of INNOVA. All data is the exclusive property of 9105-0732 QUEBEC INC. and under exclusive license to INNOVA and cannot be used nor disclosed in any way either without the prior written approval of INNOVA.</small>			
WEIGHT:	TITLE:		
26 Lbs	<b>Overall drawing of 24" mast extension</b>		
12 Kg			
COLOR:	MATERIAL:	SHEET(S):	PROJECT:
Yellow security	Steel	1 / 4	SPXTIN2045



2994  
[118]

227  
[9]

SPXTIN2002

SPXTIN2003

PAT. NO.:		©2007/01/25 ©	
<b>PRODUITS DE SERVICE PUBLICS INNOVA INC.</b> <b>INNOVA PUBLIC UTILITY PRODUCTS INC.</b>			
<small>© 9105-0732 QUEBEC INC. and under exclusive license to INNOVA PUBLIC UTILITY PRODUCTS INC., (hereafter « INNOVA »). All rights reserved. Protected under the Copyright Act of Canada and international treaties and agreements regarding copyrights. Violators are subject to prosecution and other legal recourses for infringement. Any reproduction, adaptation or other use or disclosure whatsoever, in totality or in part, and in any form or by any means whatsoever, strictly forbidden and requires the prior written approval of INNOVA. All data is the exclusive property of 9105-0732 QUEBEC INC. and under exclusive license to INNOVA and cannot be used nor disclosed in any way either without the prior written approval of INNOVA.</small>			
WEIGHT:	TITLE:		
26 Lbs	Overall drawing of		
12 Kg	24" mast extension		
COLOR:	MATERIAL:	SHEET(S):	PROJECT:
Yellow security	Steel	2 / 4	SPXTIN2045

SPECIFICATIONS

Working load (mass):  
 With Davit Arm IN-2002 or IN-2210 and mast IN-2003 : 164 kg (360 lbs)  
 Max capacity without deformation:  
 With Davit Arm IN-2002 or IN-2210 and Mast IN-2003 : 16298 N (3664 lbf)  
 Maximum Moment : 9935 N-m (87,936 lbf-in)

STANDARDS

Meets the following standards:  
 OSHA Personal fall arrest system - 1910.66 App C  
 ANSI Safety requirements for personal fall arrest system,  
 subsystems and components Z359.1 ( R1999 )  
 CAN/CSA Fall arresters, vertical lifelines, and rails Z259.2.1-98

MATERIAL AND CONSTRUCTION

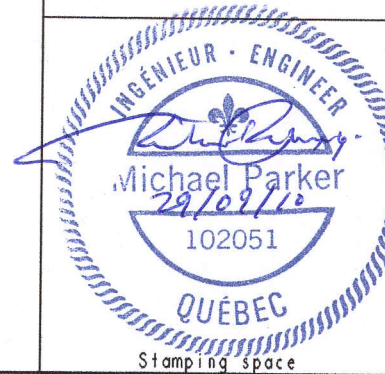
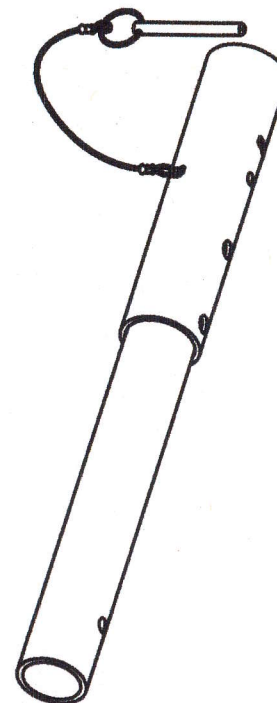
Cylindre and sleeve : Steel DOM 1026  
 Pin : Zinc plated Steel  
 Lanyard : Nylon covered Steel Cable  
 Welding Certification : CSA W59 & W47.1, AWS D1.6

RESTRICTIONS

This product is to be used only with products approved by Innova utility products INC.

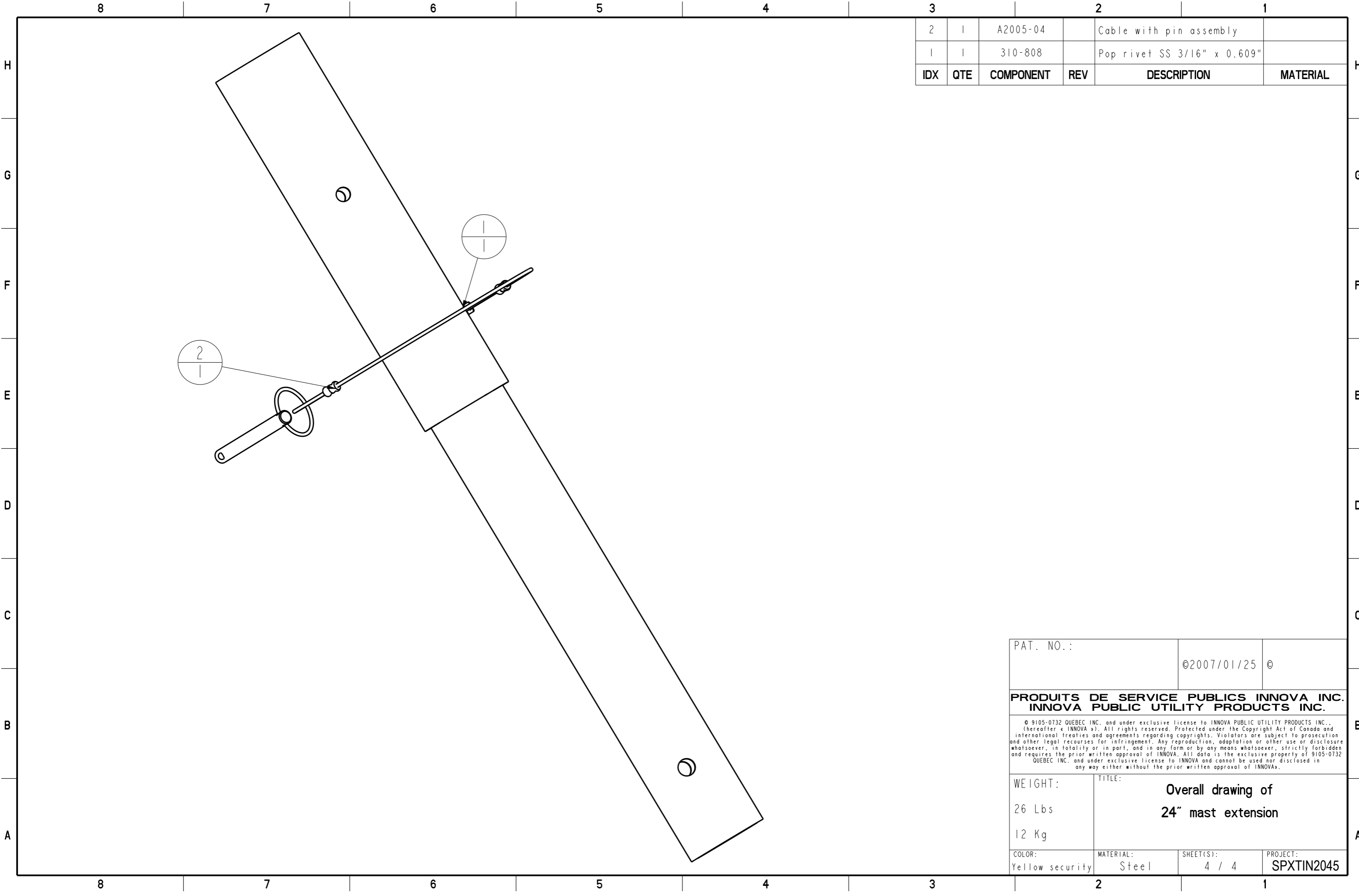
Important:  
 This product is man rated and shall be used in conjunction with  
 Fall Arrest Equipment which limits the maximum arrest force (MAF).

Product number: IN-2045



PAT. NO.:		62007/01/25 e	
<b>PRODUITS DE SERVICE PUBLICS INNOVA INC.</b> <b>INNOVA PUBLIC UTILITY PRODUCTS INC.</b>			
<small>© 1985-1992 QUEBEC INC. and under exclusive license to INNOVA PUBLIC UTILITY PRODUCTS INC., thereafter INNOVA INC. All rights reserved. Protected under the Copyright Act of Canada and international treaties and agreements regarding copyrights. Violators are subject to prosecution and other legal recourse for infringement. Any reproduction, adaptation or other use or disclosure without the prior written approval of INNOVA. All data is the exclusive property of 1985-1992 QUEBEC INC. and under exclusive license to INNOVA and cannot be used or disclosed in any way either without the prior written approval of INNOVA.</small>			
WEIGHT:	TITLE:		
26 Lbs	Overall drawing of		
12 Kg	24" mast extension		
COLOR:	MATERIAL:	SHEET(S):	PROJECT:
Yellow security	Steel	3 / 4	IN-2045

Stamping space



IDX	QTE	COMPONENT	REV	DESCRIPTION	MATERIAL
2	1	A2005-04		Cable with pin assembly	
1	1	310-808		Pop rivet SS 3/16" x 0.609"	

PAT. NO.:		©2007/01/25 ©	
<b>PRODUITS DE SERVICE PUBLICS INNOVA INC. INNOVA PUBLIC UTILITY PRODUCTS INC.</b>			
© 9105-0732 QUEBEC INC. and under exclusive license to INNOVA PUBLIC UTILITY PRODUCTS INC., (hereafter « INNOVA »). All rights reserved. Protected under the Copyright Act of Canada and international treaties and agreements regarding copyrights. Violators are subject to prosecution and other legal recourses for infringement. Any reproduction, adaptation or other use or disclosure whatsoever, in totality or in part, and in any form or by any means whatsoever, strictly forbidden and requires the prior written approval of INNOVA. All data is the exclusive property of 9105-0732 QUEBEC INC. and under exclusive license to INNOVA and cannot be used nor disclosed in any way either without the prior written approval of INNOVA.			
WEIGHT:	TITLE:		
26 Lbs	<b>Overall drawing of 24" mast extension</b>		
12 Kg	COLOR:	MATERIAL:	SHEET(S):
	Yellow security	Steel	4 / 4
		PROJECT:	
		SPXTIN2045	