

SPXTIN2071-01: Ratchet Manhole Cover Lifter



SpanSet Australia Ltd

150 Old Bathurst Road
Emu Plains
NSW 2750
Australia

Telephone

+61 2 4735 3955

Fax

+61 2 4735 3630

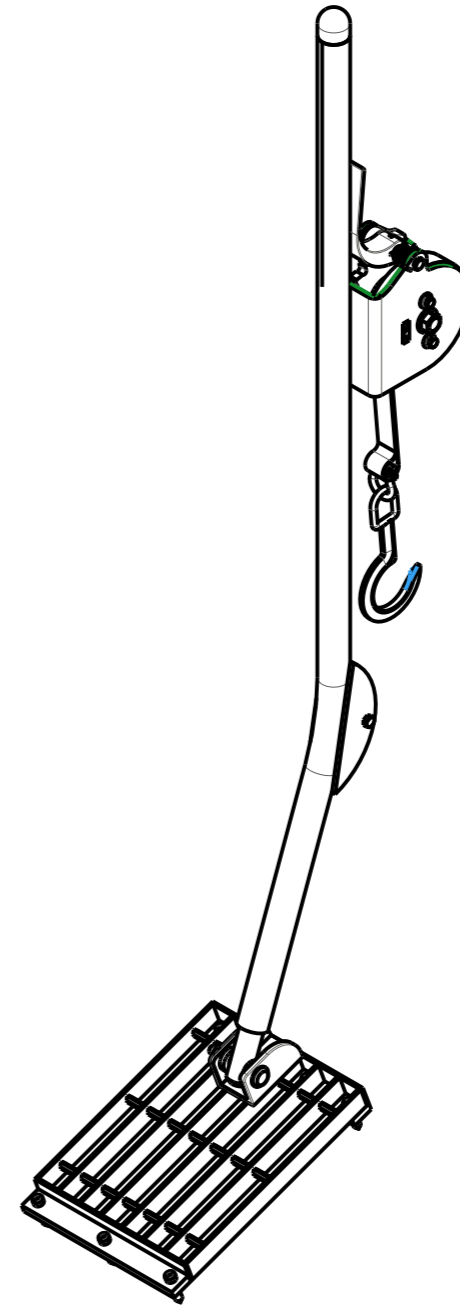
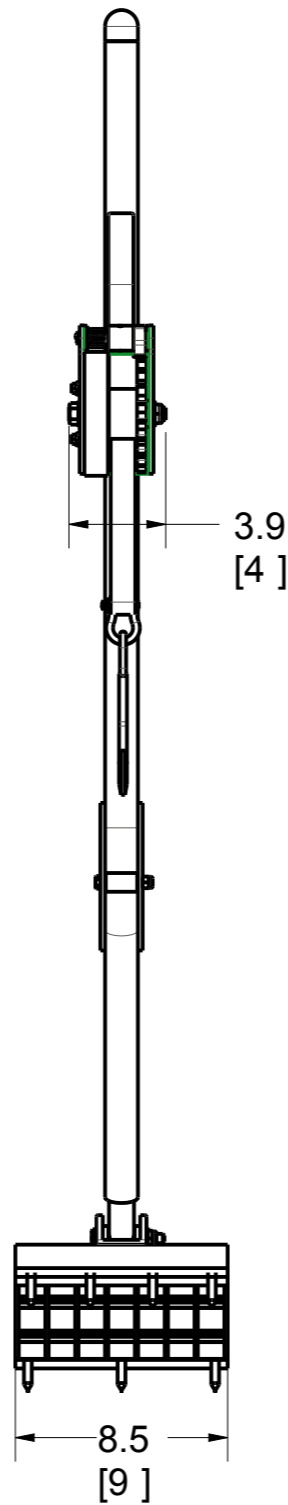
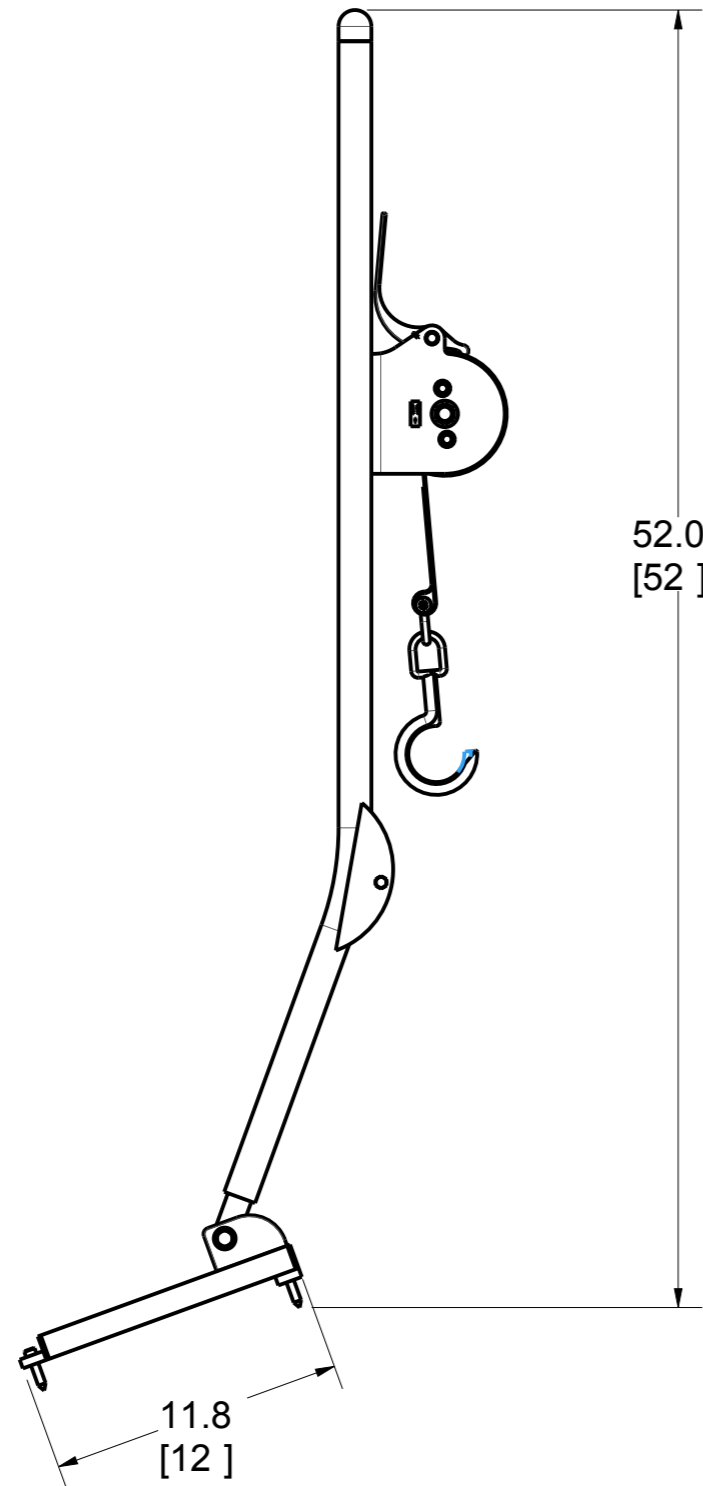
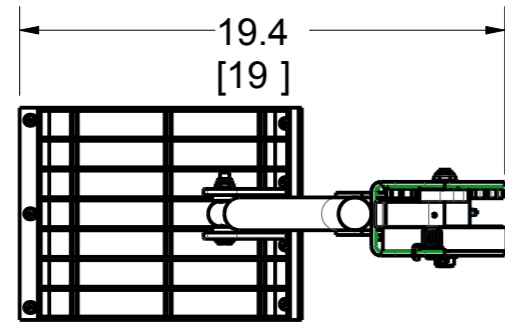
E-mail

sales@spanset.com.au

Internet

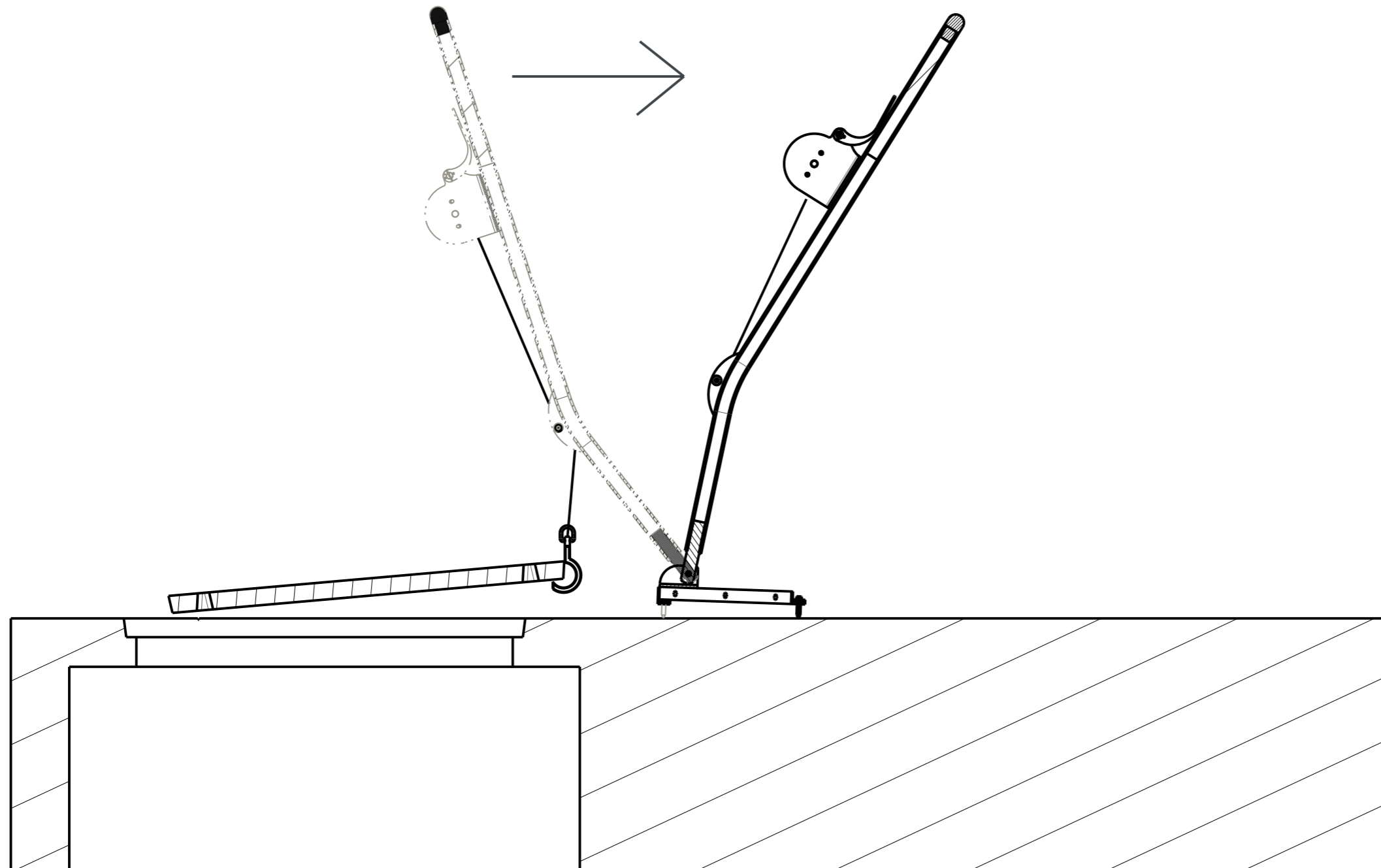
www.spanset.com.au

Product number: SPXTIN2071



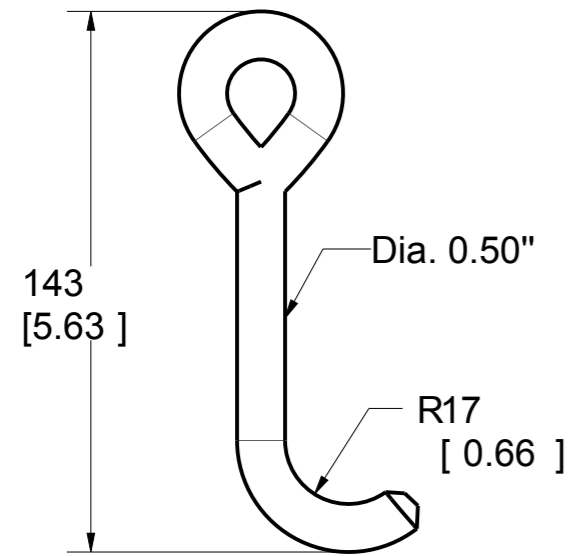
PAT. NO.:		©2006/10/04	©
PRODUITS DE SERVICE PUBLICS INNOVA INC. INNOVA PUBLIC UTILITY PRODUCTS INC.			
<small>© 9105-0732 QUEBEC INC. and under exclusive license to INNOVA PUBLIC UTILITY PRODUCTS INC., (hereafter « INNOVA »). All rights reserved. Protected under the Copyright Act of Canada and international treaties and agreements regarding copyrights. Violators are subject to prosecution and other legal recourses for infringement. Any reproduction, adaptation or other use or disclosure whatsoever, in totality or in part, and in any form or by any means whatsoever, strictly forbidden and requires the prior written approval of INNOVA. All data is the exclusive property of 9105-0732 QUEBEC INC. and under exclusive license to INNOVA and cannot be used nor disclosed in any way either without the prior written approval of INNOVA.</small>			
WEIGHT:	TITLE:		
10 Lbs	Ratchet Manhole Cover Lifter		
5 Kg			
COLOR:	MATERIAL:	SHEET(S):	PROJECT:
Yellow security	Aluminum	1 / 4	SPXTIN2071

Product number: SPXTIN2071

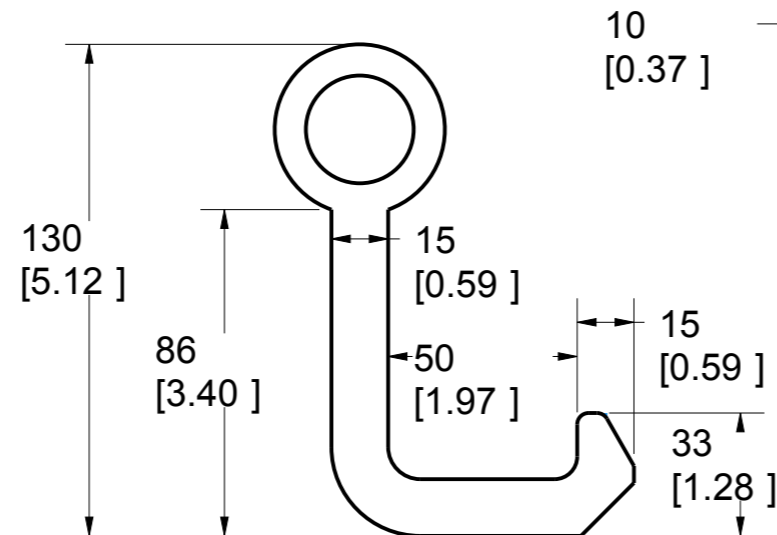


PAT. NO.:		©2006/10/04	©
PRODUITS DE SERVICE PUBLICS INNOVA INC. INNOVA PUBLIC UTILITY PRODUCTS INC.			
<small>© 9105-0732 QUEBEC INC. and under exclusive license to INNOVA PUBLIC UTILITY PRODUCTS INC., (hereafter « INNOVA »). All rights reserved. Protected under the Copyright Act of Canada and international treaties and agreements regarding copyrights. Violators are subject to prosecution and other legal recourses for infringement. Any reproduction, adaptation or other use or disclosure whatsoever, in totality or in part, and in any form or by any means whatsoever, strictly forbidden and requires the prior written approval of INNOVA. All data is the exclusive property of 9105-0732 QUEBEC INC. and under exclusive license to INNOVA and cannot be used nor disclosed in any way either without the prior written approval of INNOVA.</small>			
WEIGHT:	TITLE:		
10 Lbs	Ratchet Manhole Cover Lifter		
5 Kg			
COLOR:	MATERIAL:	SHEET(S):	PROJECT:
Yellow security	Aluminum	2 / 4	SPXTIN2071

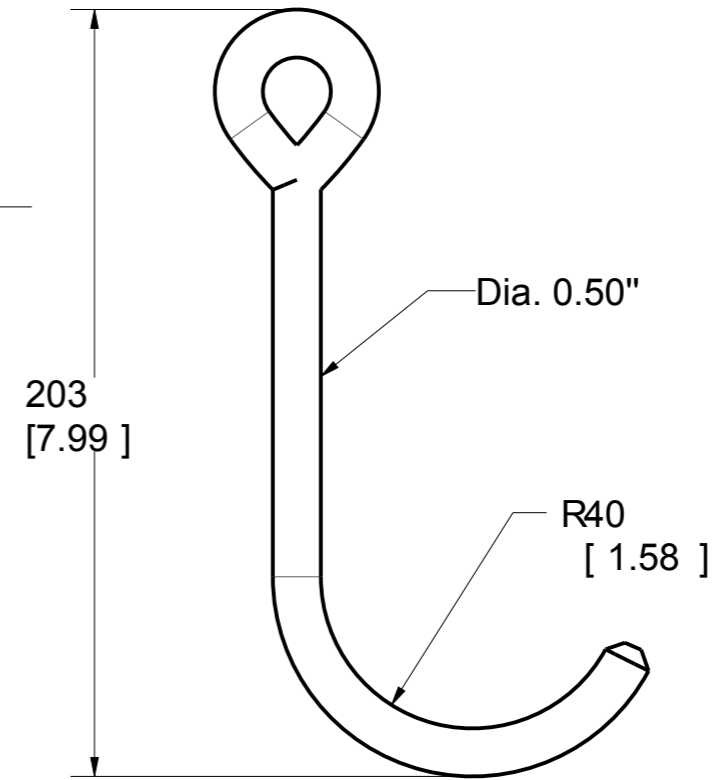
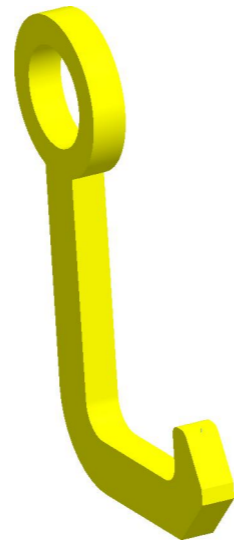
Accessory



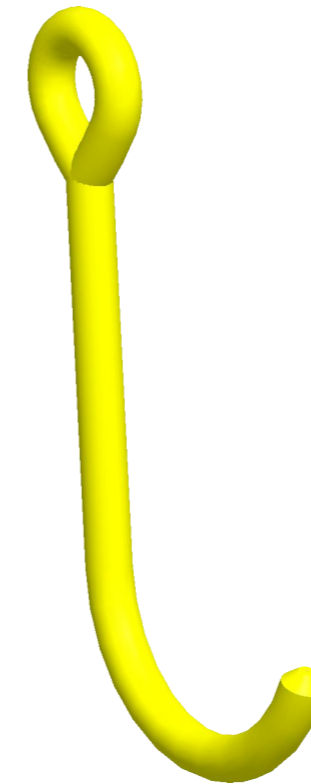
Small Hook in "J"
#25110



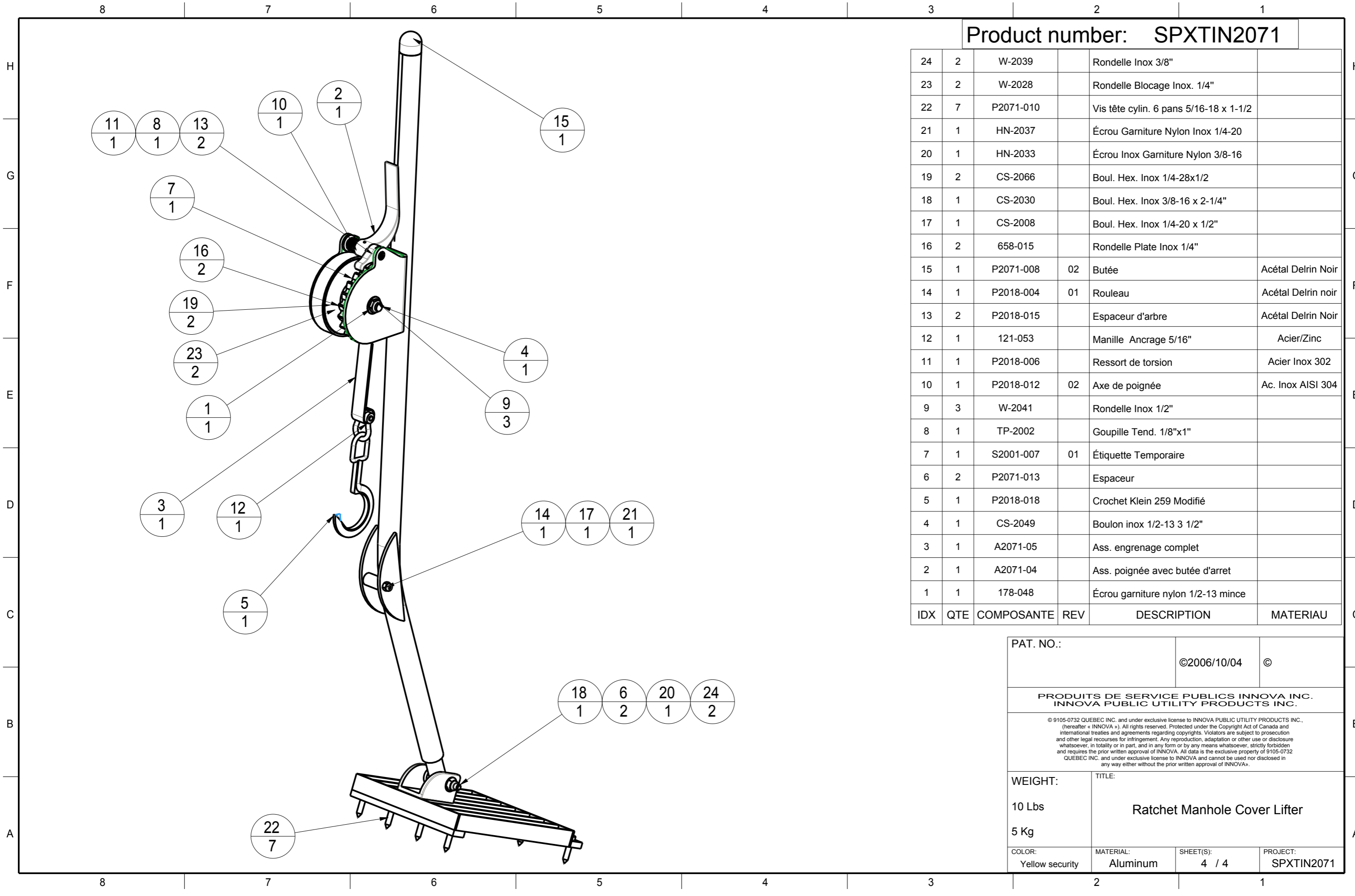
Medium Hook in "L"
#25111



Tall Hook in "J"
#25112



PAT. NO.:		©2006/10/04	©
PRODUITS DE SERVICE PUBLICS INNOVA INC. INNOVA PUBLIC UTILITY PRODUCTS INC.			
© 9105-0732 QUEBEC INC. and under exclusive license to INNOVA PUBLIC UTILITY PRODUCTS INC., (hereafter « INNOVA »). All rights reserved. Protected under the Copyright Act of Canada and international treaties and agreements regarding copyrights. Violators are subject to prosecution and other legal recourses for infringement. Any reproduction, adaptation or other use or disclosure whatsoever, in totality or in part, and in any form or by any means whatsoever, strictly forbidden and requires the prior written approval of INNOVA. All data is the exclusive property of 9105-0732 QUEBEC INC. and under exclusive license to INNOVA and cannot be used nor disclosed in any way either without the prior written approval of INNOVA.			
WEIGHT:	TITLE:		
0.000 Lbs	Ratchet Manhole Cover Lifter		
0.000 Kg			
COLOR:	MATERIAL:	SHEET(S):	PROJECT:
Yellow security	Aluminum	3 / 4	SPXTIN2071



Product number: **SPXTIN2071**

IDX	QTE	COMPOSANTE	REV	DESCRIPTION	MATERIAU
24	2	W-2039		Rondelle Inox 3/8"	
23	2	W-2028		Rondelle Blocage Inox. 1/4"	
22	7	P2071-010		Vis tête cylin. 6 pans 5/16-18 x 1-1/2	
21	1	HN-2037		Écrou Garniture Nylon Inox 1/4-20	
20	1	HN-2033		Écrou Inox Garniture Nylon 3/8-16	
19	2	CS-2066		Boul. Hex. Inox 1/4-28x1/2	
18	1	CS-2030		Boul. Hex. Inox 3/8-16 x 2-1/4"	
17	1	CS-2008		Boul. Hex. Inox 1/4-20 x 1/2"	
16	2	658-015		Rondelle Plate Inox 1/4"	
15	1	P2071-008	02	Butée	Acétal Delrin Noir
14	1	P2018-004	01	Rouleau	Acétal Delrin noir
13	2	P2018-015		Espaceur d'arbre	Acétal Delrin Noir
12	1	121-053		Manille Ancre 5/16"	Acier/Zinc
11	1	P2018-006		Ressort de torsion	Acier Inox 302
10	1	P2018-012	02	Axe de poignée	Ac. Inox AISI 304
9	3	W-2041		Rondelle Inox 1/2"	
8	1	TP-2002		Goupille Tend. 1/8"x1"	
7	1	S2001-007	01	Étiquette Temporaire	
6	2	P2071-013		Espaceur	
5	1	P2018-018		Crochet Klein 259 Modifié	
4	1	CS-2049		Boulon inox 1/2-13 3 1/2"	
3	1	A2071-05		Ass. engrenage complet	
2	1	A2071-04		Ass. poignée avec butée d'arrêt	
1	1	178-048		Écrou garniture nylon 1/2-13 mince	

PAT. NO.:		©2006/10/04	©
PRODUITS DE SERVICE PUBLICS INNOVA INC. INNOVA PUBLIC UTILITY PRODUCTS INC.			
<small>© 9105-0732 QUEBEC INC. and under exclusive license to INNOVA PUBLIC UTILITY PRODUCTS INC., (hereafter « INNOVA »). All rights reserved. Protected under the Copyright Act of Canada and international treaties and agreements regarding copyrights. Violators are subject to prosecution and other legal recourses for infringement. Any reproduction, adaptation or other use or disclosure whatsoever, in totality or in part, and in any form or by any means whatsoever, strictly forbidden and requires the prior written approval of INNOVA. All data is the exclusive property of 9105-0732 QUEBEC INC. and under exclusive license to INNOVA and cannot be used nor disclosed in any way either without the prior written approval of INNOVA.</small>			
WEIGHT:	TITLE:		
10 Lbs	Ratchet Manhole Cover Lifter		
5 Kg			
COLOR:	MATERIAL:	SHEET(S):	PROJECT:
Yellow security	Aluminum	4 / 4	SPXTIN2071