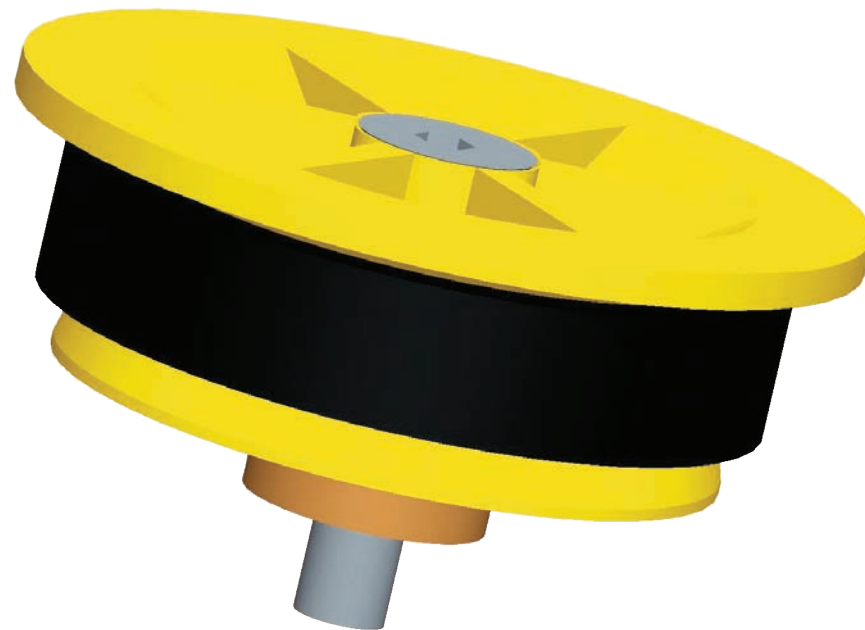


SPXTIN2072-01: Stopper For Base Without Steel Wire



SpanSet Australia Ltd

150 Old Bathurst Road
Emu Plains
NSW 2750
Australia

Telephone

+61 2 4735 3955

Fax

+61 2 4735 3630

E-mail

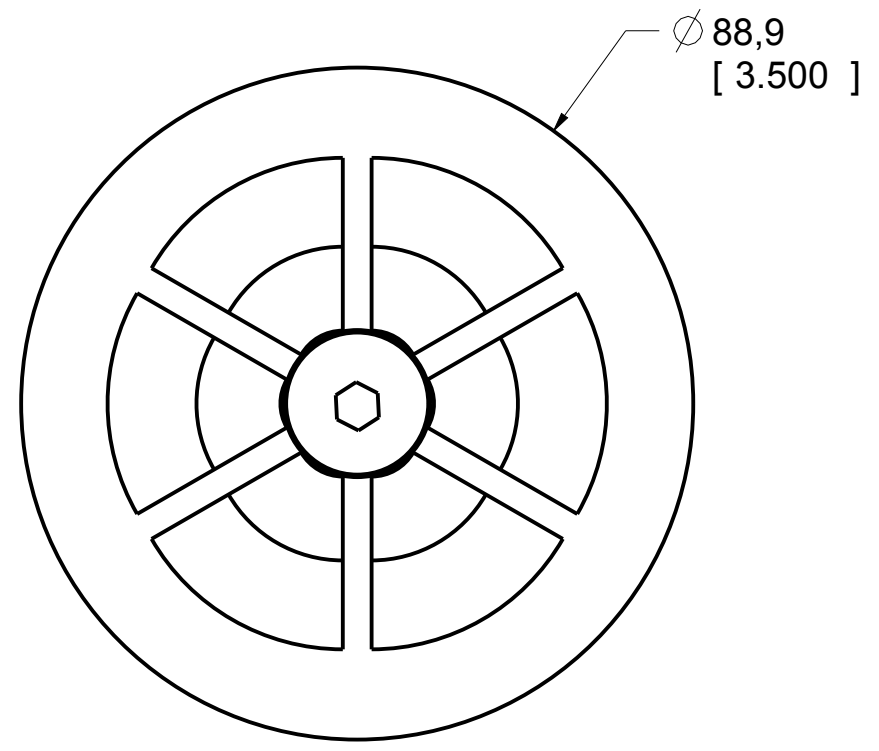
sales@spanset.com.au

Internet

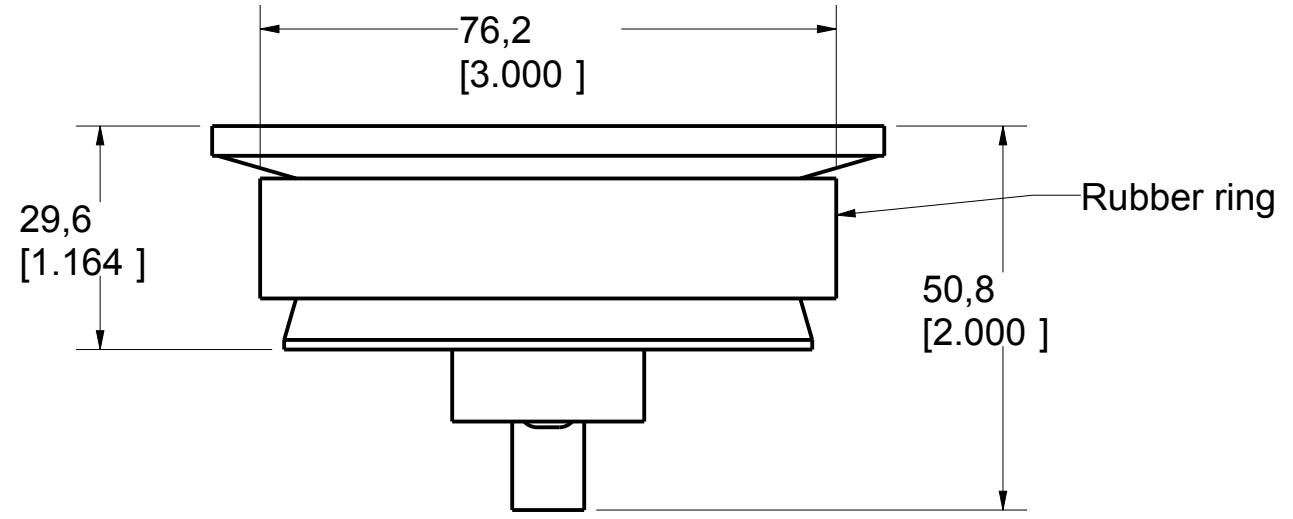
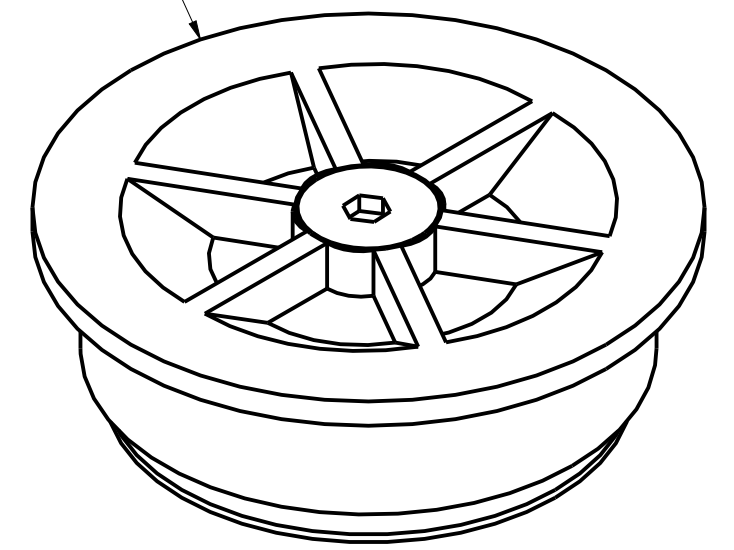
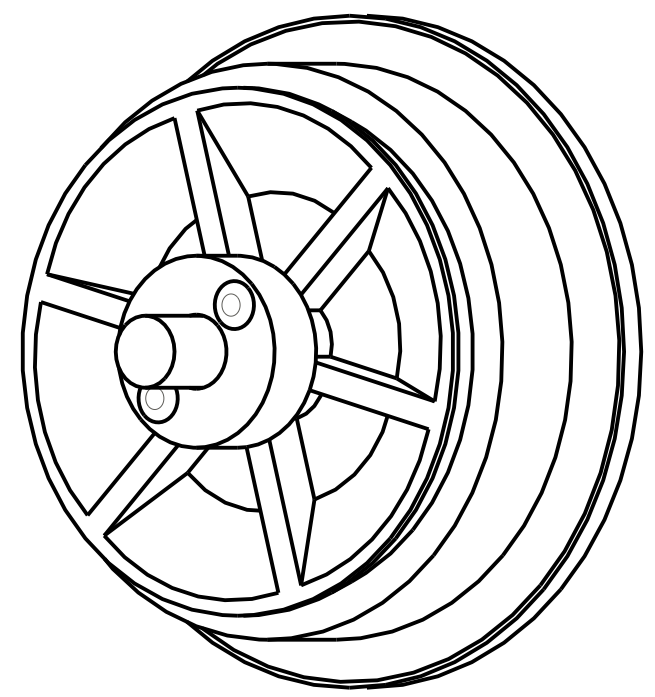
www.spanset.com.au

8 7 6 5 4 3 2 1

H
G
F
E
D
C
B
A



Yellow plastic body

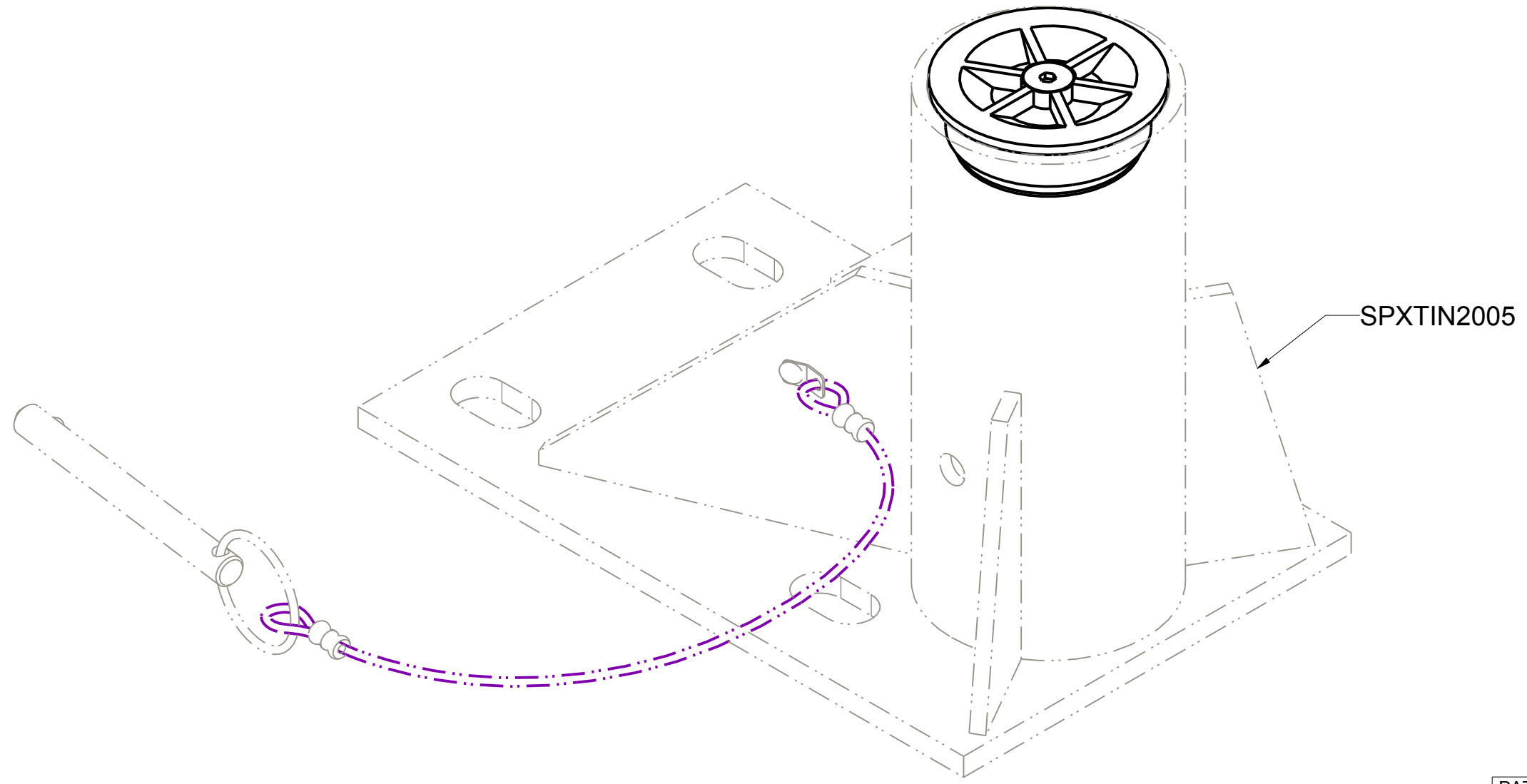


PAT. NO.:		©2006/12/13	©
PRODUITS DE SERVICE PUBLICS INNOVA INC. INNOVA PUBLIC UTILITY PRODUCTS INC.			
<small>© 9105-0732 QUEBEC INC. and under exclusive license to INNOVA PUBLIC UTILITY PRODUCTS INC., (hereafter « INNOVA »). All rights reserved. Protected under the Copyright Act of Canada and international treaties and agreements regarding copyrights. Violators are subject to prosecution and other legal recourses for infringement. Any reproduction, adaptation or other use or disclosure whatsoever, in totality or in part, and in any form or by any means whatsoever, strictly forbidden and requires the prior written approval of INNOVA. All data is the exclusive property of 9105-0732 QUEBEC INC. and under exclusive license to INNOVA and cannot be used nor disclosed in any way either without the prior written approval of INNOVA.</small>			
WEIGHT:	TITLE:		
0.5 Lbs	Application drawing of		
0.2 Kg	Stopper for base without steel wire		
COLOR:	MATERIAL:	SHEET(S):	PROJECT:
Black/Yellow	Rubber/Plastic	1 / 3	SPXTIN2072

8 7 6 5 4 3 2 1

8 7 6 5 4 3 2 1

H
G
F
E
D
C
B
A



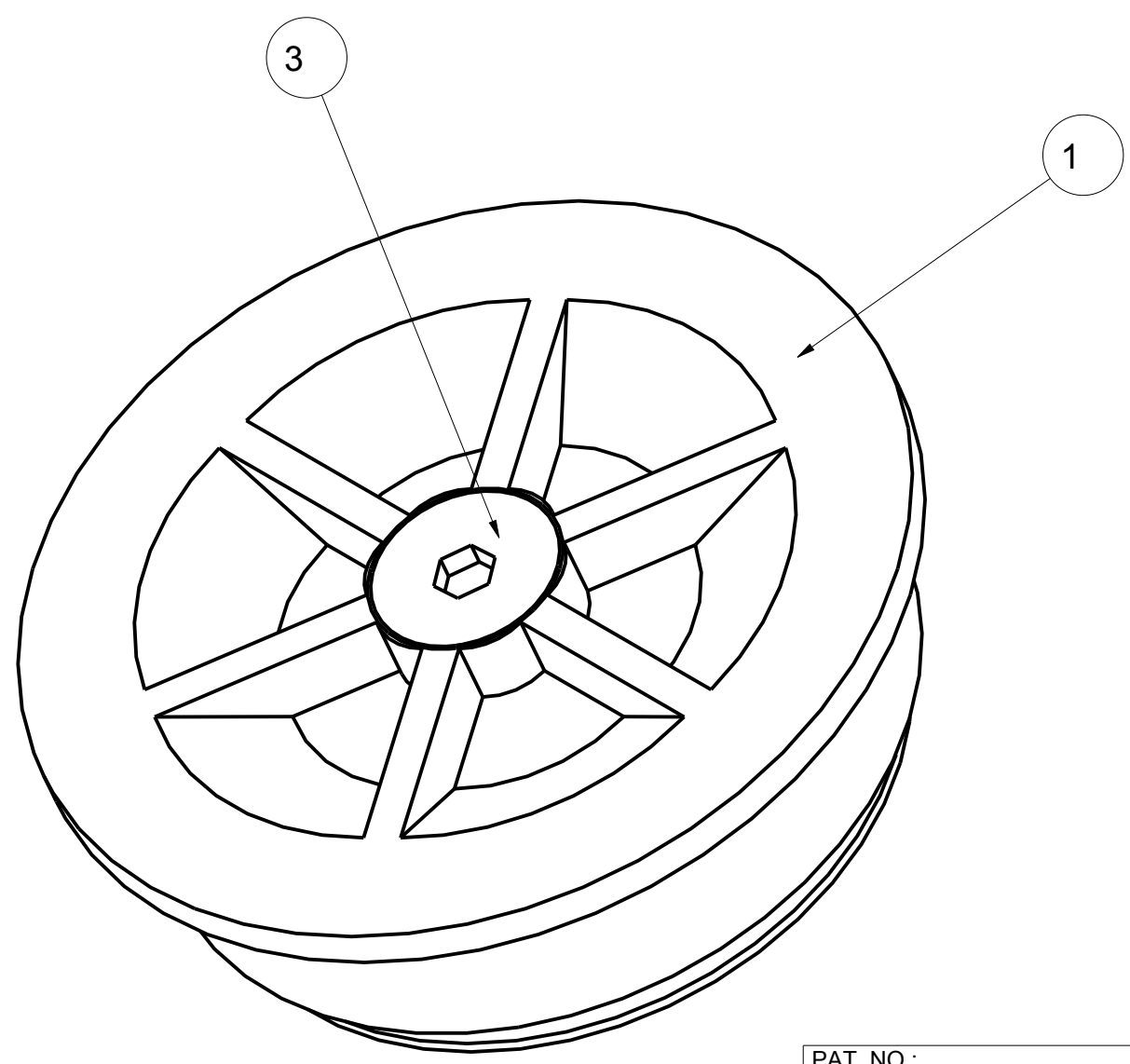
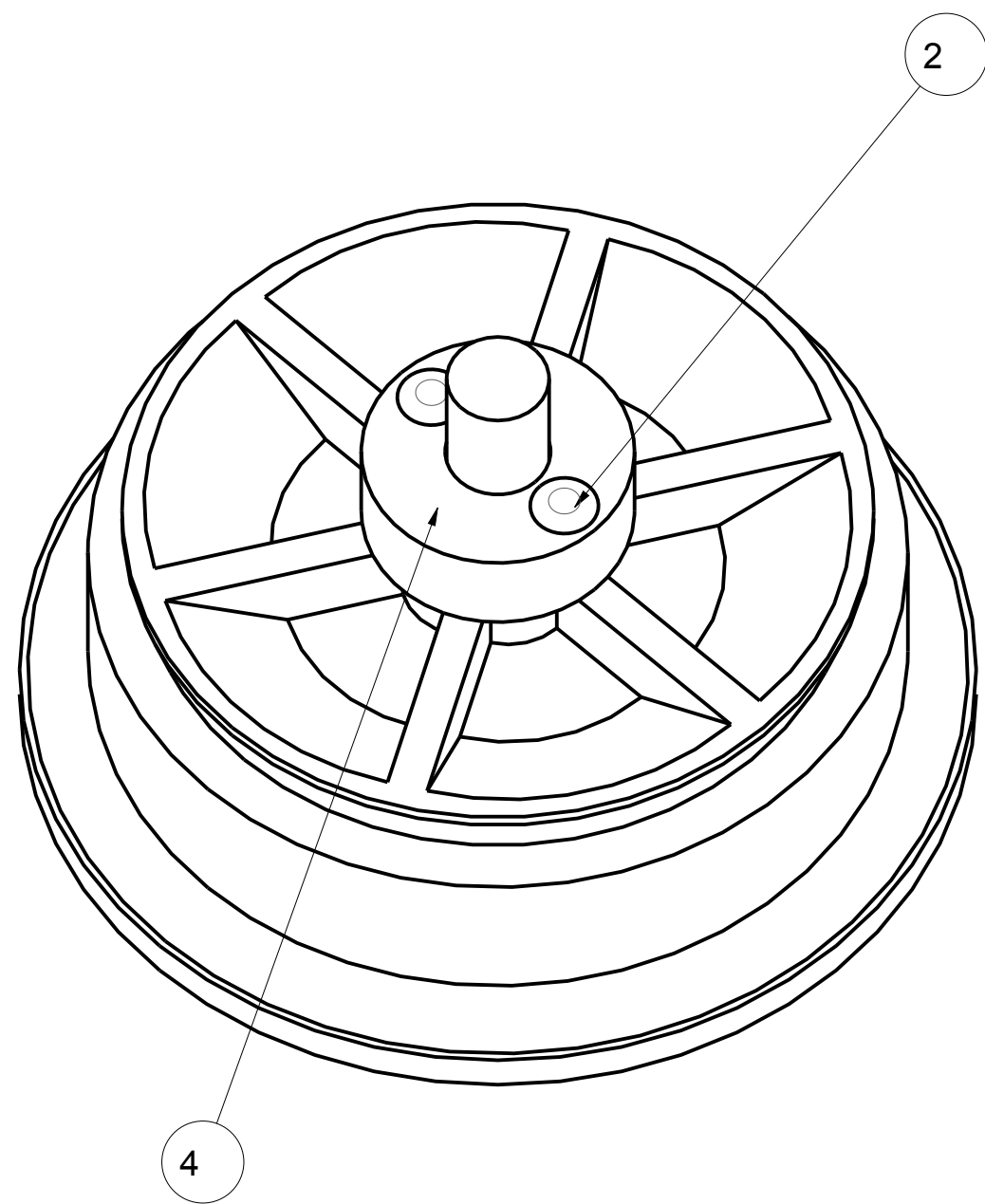
PAT. NO.:		©2006/12/13	©
PRODUITS DE SERVICE PUBLICS INNOVA INC. INNOVA PUBLIC UTILITY PRODUCTS INC.			
<small>© 9105-0732 QUEBEC INC. and under exclusive license to INNOVA PUBLIC UTILITY PRODUCTS INC., (hereafter « INNOVA »). All rights reserved. Protected under the Copyright Act of Canada and international treaties and agreements regarding copyrights. Violators are subject to prosecution and other legal recourses for infringement. Any reproduction, adaptation or other use or disclosure whatsoever, in totality or in part, and in any form or by any means whatsoever, strictly forbidden and requires the prior written approval of INNOVA. All data is the exclusive property of 9105-0732 QUEBEC INC. and under exclusive license to INNOVA and cannot be used nor disclosed in any way either without the prior written approval of INNOVA.</small>			
WEIGHT:	TITLE:		
0.5 Lbs	Application drawing of		
0.2 Kg	Stopper for base without steel wire		
COLOR:	MATERIAL:	SHEET(S):	PROJECT:
Black/Yellow	Rubber/Plastic	2 / 3	SPXTIN2072

8 7 6 5 4 3 2 1

8 7 6 5 4 3 2 1

4	1	P2072-004		Bague de retenue	Bronze SAE 660
3	1	370-323		Vis inox 6 pans creux tête fraisier 3/8-*16 x 2"	
2	2	310-836		Rivet 1/8" x .640" grip	
1	1	270-237		Bouchon	
IDX	QTE	COMPOSANTE	REV	DESCRIPTION	MATERIAU

H
G
F
E
D
C
B
A



PAT. NO.:		©2006/12/13	©
PRODUITS DE SERVICE PUBLICS INNOVA INC. INNOVA PUBLIC UTILITY PRODUCTS INC.			
<small>© 9105-0732 QUEBEC INC. and under exclusive license to INNOVA PUBLIC UTILITY PRODUCTS INC., (hereafter « INNOVA »). All rights reserved. Protected under the Copyright Act of Canada and international treaties and agreements regarding copyrights. Violators are subject to prosecution and other legal recourses for infringement. Any reproduction, adaptation or other use or disclosure whatsoever, in totality or in part, and in any form or by any means whatsoever, strictly forbidden and requires the prior written approval of INNOVA. All data is the exclusive property of 9105-0732 QUEBEC INC. and under exclusive license to INNOVA and cannot be used nor disclosed in any way either without the prior written approval of INNOVA.</small>			
WEIGHT:	TITLE:		
0.5 Lbs	Application drawing of		
0.2 Kg	Stopper for base without steel wire		
COLOR:	MATERIAL:	SHEET(S):	PROJECT:
Black/Yellow	Rubber/Plastic	3 / 3	SPXTIN2072

8 7 6 5 4 3 2 1