

SPXTIN2108-18: Stabiliser for 42" Portable Manhole Guard



SpanSet Australia Ltd

150 Old Bathurst Road
Emu Plains
NSW 2750
Australia

Telephone

+61 2 4735 3955

Fax

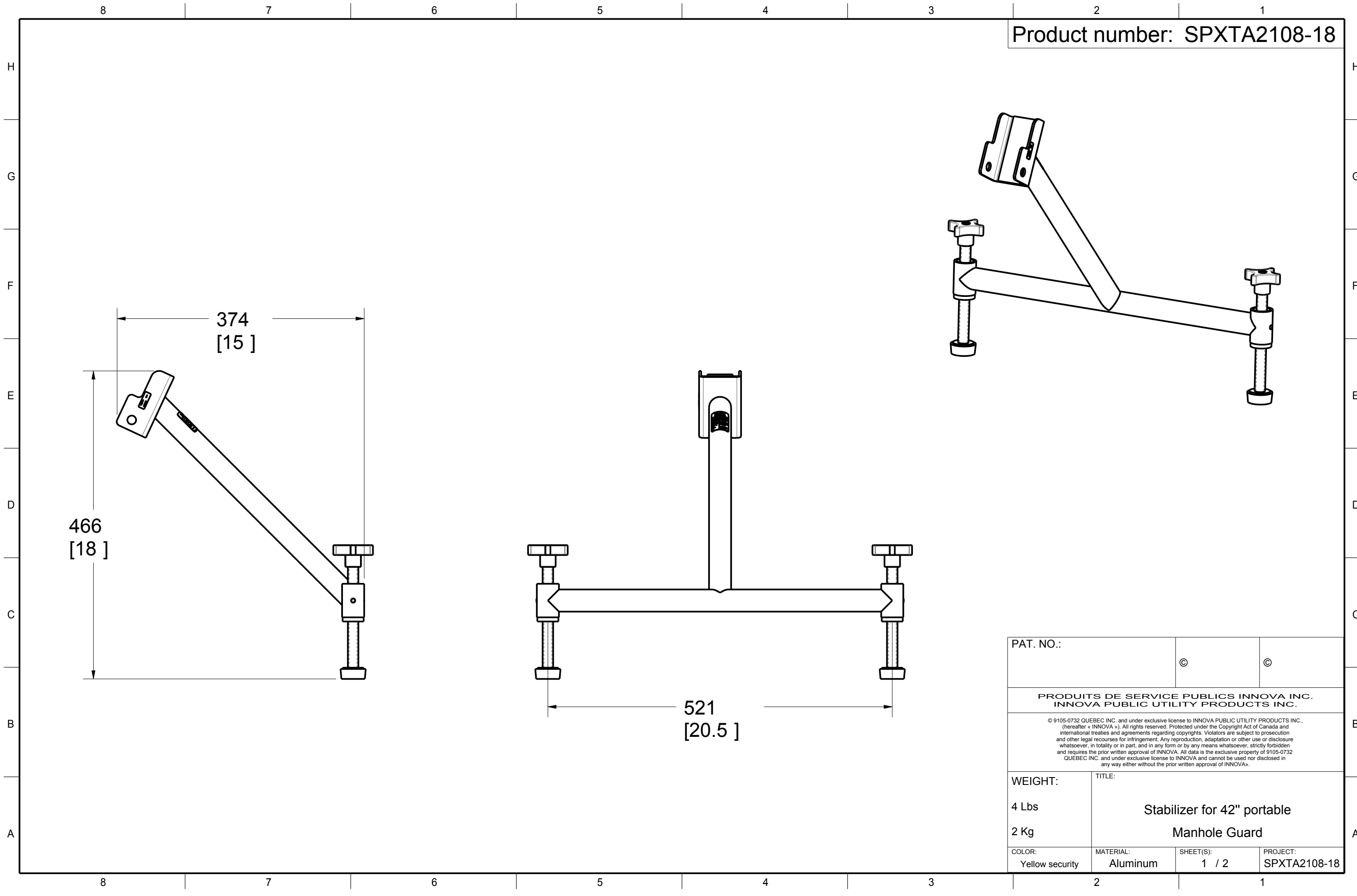
+61 2 4735 3630

E-mail

sales@spanset.com.au

Internet

www.spanset.com.au



PAT. NO.:		©	©
PRODUITS DE SERVICE PUBLICS INNOVA INC. INNOVA PUBLIC UTILITY PRODUCTS INC.			
<small>© 9105-0732 QUEBEC INC. and under exclusive license to INNOVA PUBLIC UTILITY PRODUCTS INC., (hereafter « INNOVA »). All rights reserved. Protected under the Copyright Act of Canada and international treaties and agreements regarding copyrights. Violators are subject to prosecution and other legal recourses for infringement. Any reproduction, adaptation or other use or disclosure whatsoever, in totality or in part, and in any form or by any means whatsoever, strictly forbidden and requires the prior written approval of INNOVA. All data is the exclusive property of 9105-0732 QUEBEC INC. and under exclusive license to INNOVA and cannot be used nor disclosed in any way either without the prior written approval of INNOVA.</small>			
WEIGHT:	TITLE:		
4 Lbs	Stabilizer for 42" portable		
2 Kg	Manhole Guard		
COLOR:	MATERIAL:	SHEET(S):	PROJECT:
Yellow security	Aluminum	1 / 2	SPXTA2108-18

8

7

6

5

4

3

2

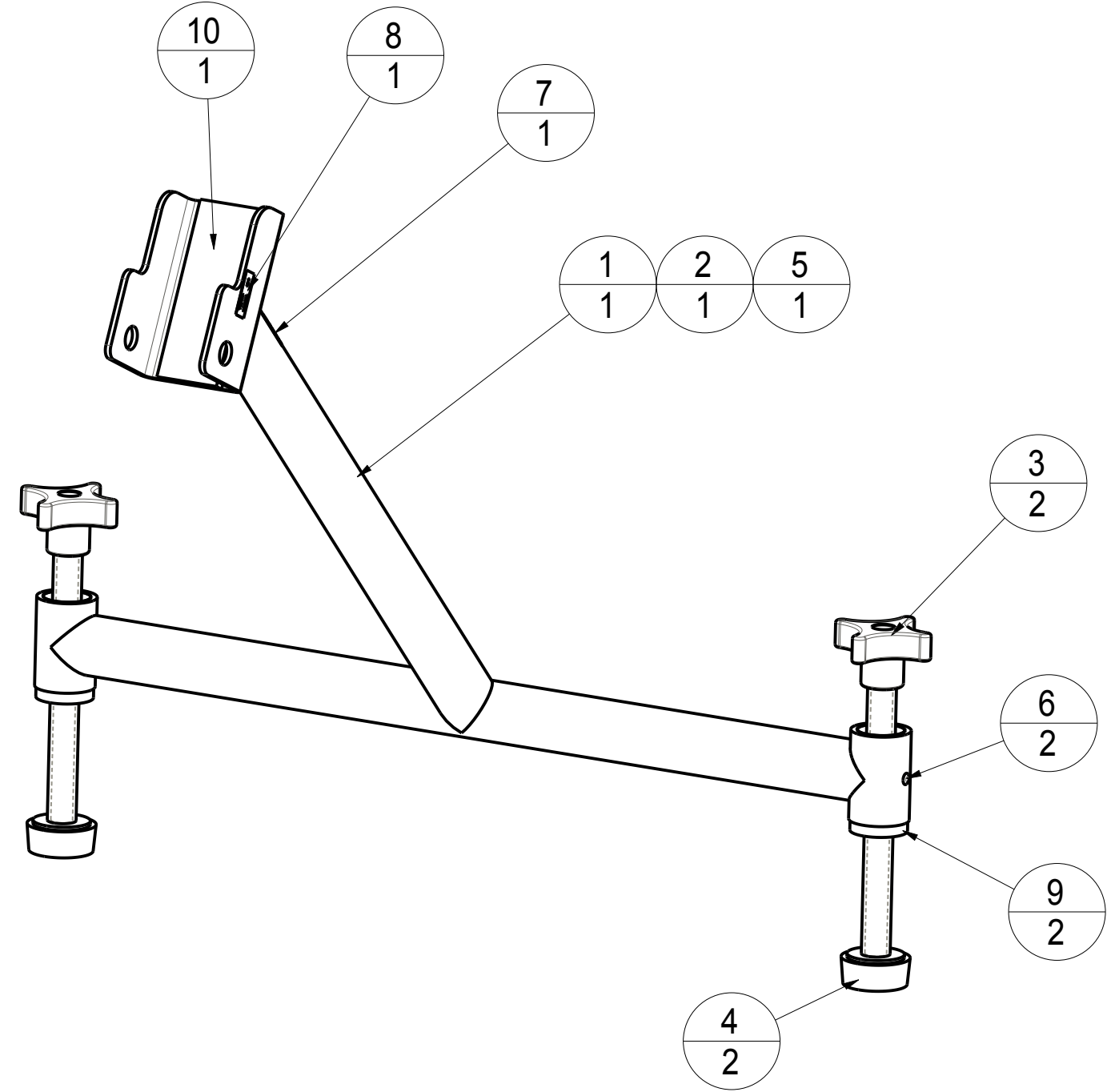
1

H
G
F
E
D
C
B
A

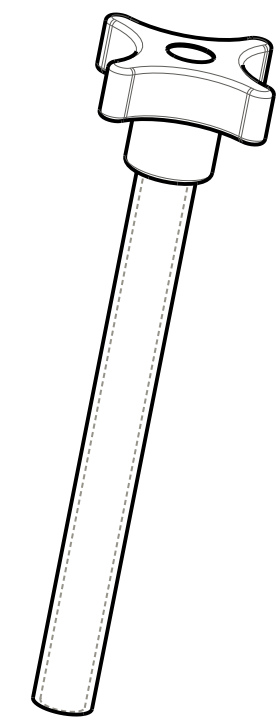
H
G
F
E
D
C
B
A

Product number: SPXTA2108-18

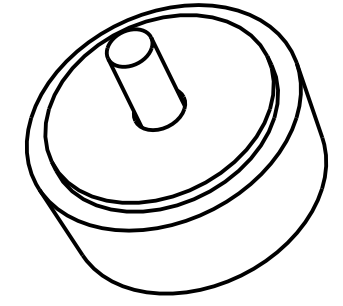
10	1	P2001-061		Plaque de caoutchouc	SBR-60
9	2	P2001-017	03	Cylindre de pied	Delrin Noir
8	1	S2001-007	01	Étiquette Temporaire	
7	1	S2001-005_PLIER	RevB	Étiquette NO. produit et NO. Série	
6	2	310-802		Rivet 1/8" x 1/4" grip	
5	1	SPXTA2108-18		patte antibascule	
4	2	SPXTA2001-13		Ens. de pied pour poteau principale barricade xtirpa	
3	2	SPXTA2001-24		Assemblage tige de pied	
2	1	SPXTA2108-17		Ass. soudé patte antibascule	
1	1	SPXTA2108-19	01	Ass. patte antibascule	
IDX	QTE	COMPOSANTE	REV	DESCRIPTION	MATERIAU



SPXTA2001-24



SPXTA2001-13



PAT. NO.:		©	©
PRODUITS DE SERVICE PUBLICS INNOVA INC. INNOVA PUBLIC UTILITY PRODUCTS INC.			
<small>© 9105-0732 QUEBEC INC. and under exclusive license to INNOVA PUBLIC UTILITY PRODUCTS INC., (hereafter « INNOVA »). All rights reserved. Protected under the Copyright Act of Canada and international treaties and agreements regarding copyrights. Violators are subject to prosecution and other legal recourses for infringement. Any reproduction, adaptation or other use or disclosure whatsoever, in totality or in part, and in any form or by any means whatsoever, strictly forbidden and requires the prior written approval of INNOVA. All data is the exclusive property of 9105-0732 QUEBEC INC. and under exclusive license to INNOVA and cannot be used nor disclosed in any way either without the prior written approval of INNOVA.</small>			
WEIGHT:	TITLE:		
4 Lbs	Stabilizer for 42" portable		
2 Kg	Manhole Guard		
COLOR:	MATERIAL:	SHEET(S):	PROJECT:
Yellow security	Aluminum	2 / 2	SPXTA2108-18

8

7

6

5

4

3

2

1