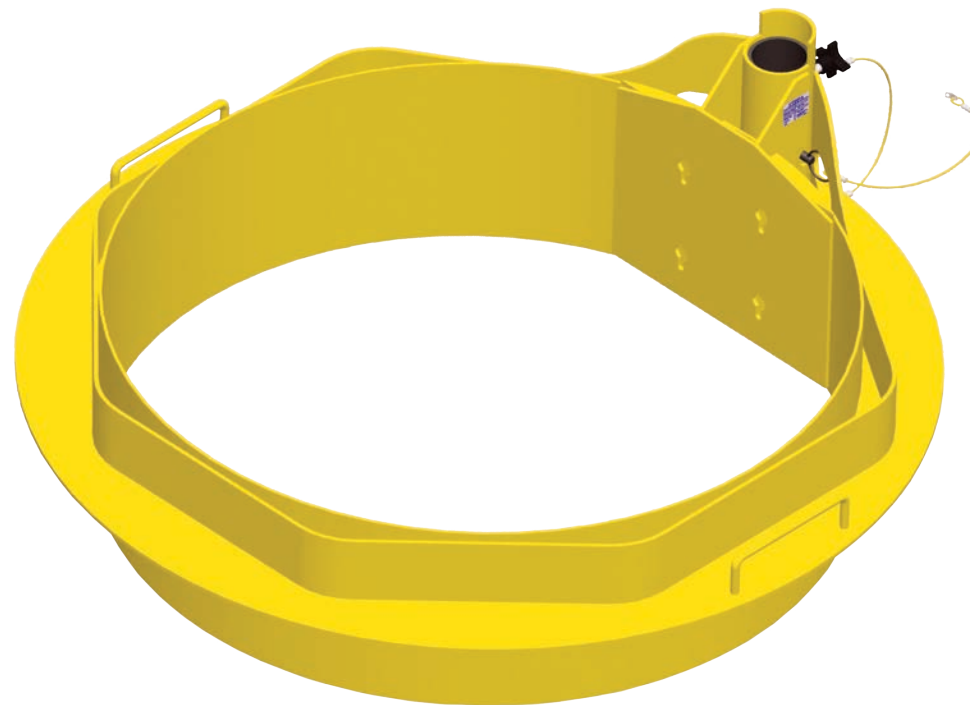


SPXTIN2180-01: Manhole Entry Ring System for Hole 42.5" to 44"



SpanSet Australia Ltd

150 Old Bathurst Road
Emu Plains
NSW 2750
Australia

Telephone

+61 2 4735 3955

Fax

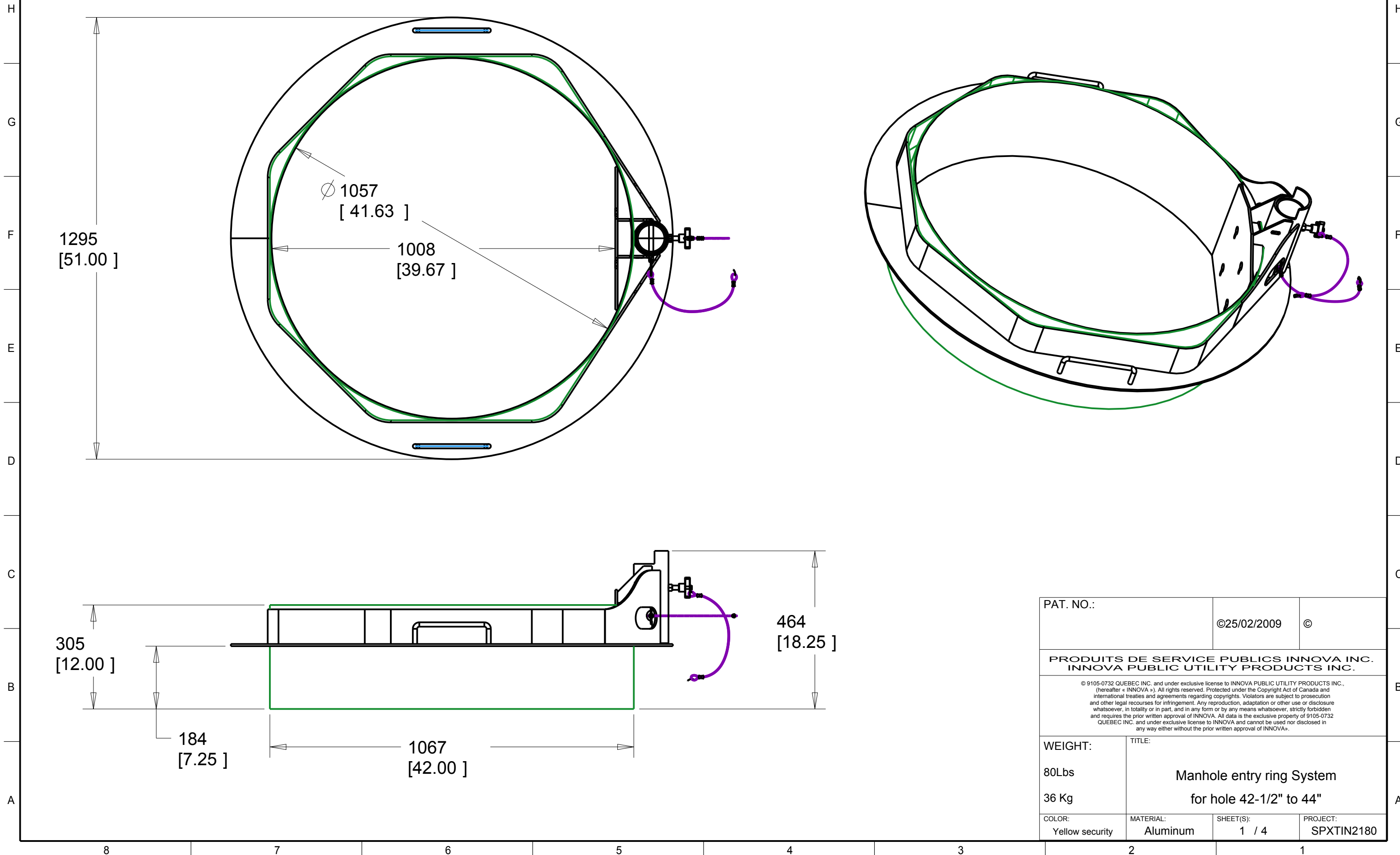
+61 2 4735 3630

E-mail

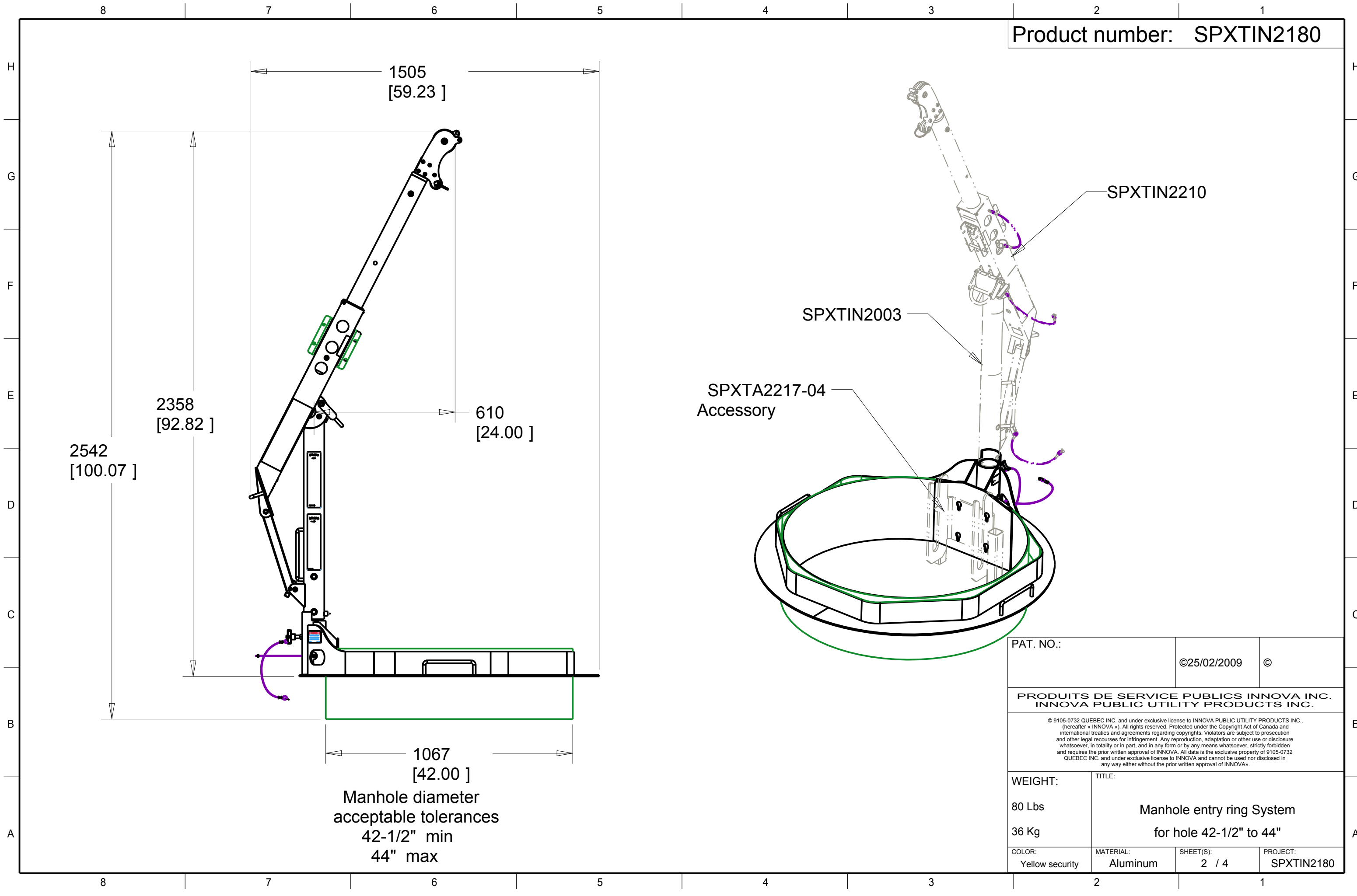
sales@spanset.com.au

Internet

www.spanset.com.au



PAT. NO.:		©25/02/2009	©
PRODUITS DE SERVICE PUBLICS INNOVA INC. INNOVA PUBLIC UTILITY PRODUCTS INC.			
<small>© 9105-0732 QUEBEC INC. and under exclusive license to INNOVA PUBLIC UTILITY PRODUCTS INC., (hereafter « INNOVA »). All rights reserved. Protected under the Copyright Act of Canada and international treaties and agreements regarding copyrights. Violators are subject to prosecution and other legal recourses for infringement. Any reproduction, adaptation or other use or disclosure whatsoever, in totality or in part, and in any form or by any means whatsoever, strictly forbidden and requires the prior written approval of INNOVA. All data is the exclusive property of 9105-0732 QUEBEC INC. and under exclusive license to INNOVA and cannot be used nor disclosed in any way either without the prior written approval of INNOVA.</small>			
WEIGHT:	TITLE:		
80Lbs	Manhole entry ring System		
36 Kg	for hole 42-1/2" to 44"		
COLOR:	MATERIAL:	SHEET(S):	PROJECT:
Yellow security	Aluminum	1 / 4	SPXTIN2180



PAT. NO.:		©25/02/2009	©
PRODUITS DE SERVICE PUBLICS INNOVA INC. INNOVA PUBLIC UTILITY PRODUCTS INC.			
<small>© 9105-0732 QUEBEC INC. and under exclusive license to INNOVA PUBLIC UTILITY PRODUCTS INC. (hereafter « INNOVA »). All rights reserved. Protected under the Copyright Act of Canada and international treaties and agreements regarding copyrights. Violators are subject to prosecution and other legal recourses for infringement. Any reproduction, adaptation or other use or disclosure whatsoever, in totality or in part, and in any form or by any means whatsoever, strictly forbidden and requires the prior written approval of INNOVA. All data is the exclusive property of 9105-0732 QUEBEC INC. and under exclusive license to INNOVA and cannot be used nor disclosed in any way either without the prior written approval of INNOVA.</small>			
WEIGHT:	TITLE:		
80 Lbs	Manhole entry ring System		
36 Kg	for hole 42-1/2" to 44"		
COLOR:	MATERIAL:	SHEET(S):	PROJECT:
Yellow security	Aluminum	2 / 4	SPXTIN2180

SPECIFICATIONS

H This product is man rated with a maximum working capacity of 360lbs (164kg). It is only to be used in conjunction with personal fall arrest equipment that limits the maximum arreset force (MAF).

G Working load (mass) and moment:
With mast SPXTIN2003 and Davit Arm SPXTIN2210 : 164kg (360lbs), 976 N-m (8640 lb-in)

F Max Design Capacity
With mast SPXTIN2003 and Davit Arm SPXTIN2210 : 16014 N (3600 lbf), 9762 N-m (86,400 lbf-in)

STANDARDS

E Meets the following standards:
OSHA Personal fall arrest system - 1910.66 App C
ANSI Safety requirements for personal fall arrest system, subsystems and components Z359.1 (R1999)
CAN/CSA Fall arresters, vertical lifelines, and rails Z259.2.1-98

MATERIAL AND CONSTRUCTION

D Rings, Handles, reinforcements and sleeve : Aluminum 6061-T6
Sleeve bearing : PVC
Pin : Zinc plated Steel
Lanyard : Nylon covered Steel Cable
Finish : Yellow security powder paint with metal protection base.
Welding Certification : CSA W47,2M

RESTRICTIONS

C This product is to be used only with products approved by Innova public utility products INC. such as: Davit Arm IN-2210 and Mast IN-2003

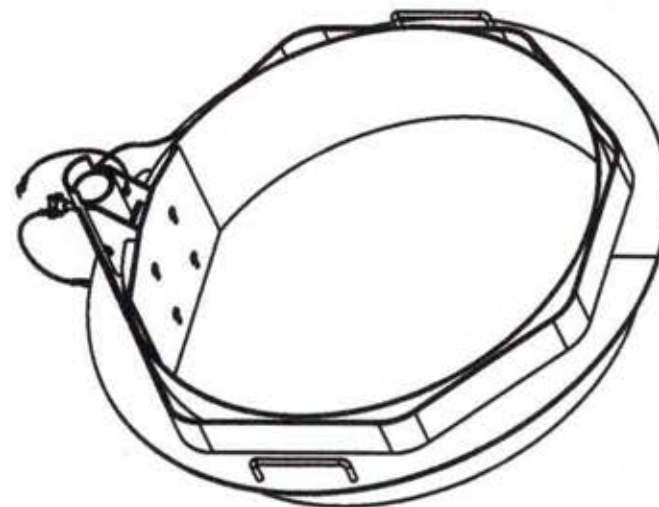
IMPORTANT :

B ••The positioning pin must always be in place when manouvering personnel. Otherwise, serious injuries may occur.

Periodic inspections of hardware must be done.
All equipment and hardware must be inspected before re-using by qualified personnel when a fall has occurred.

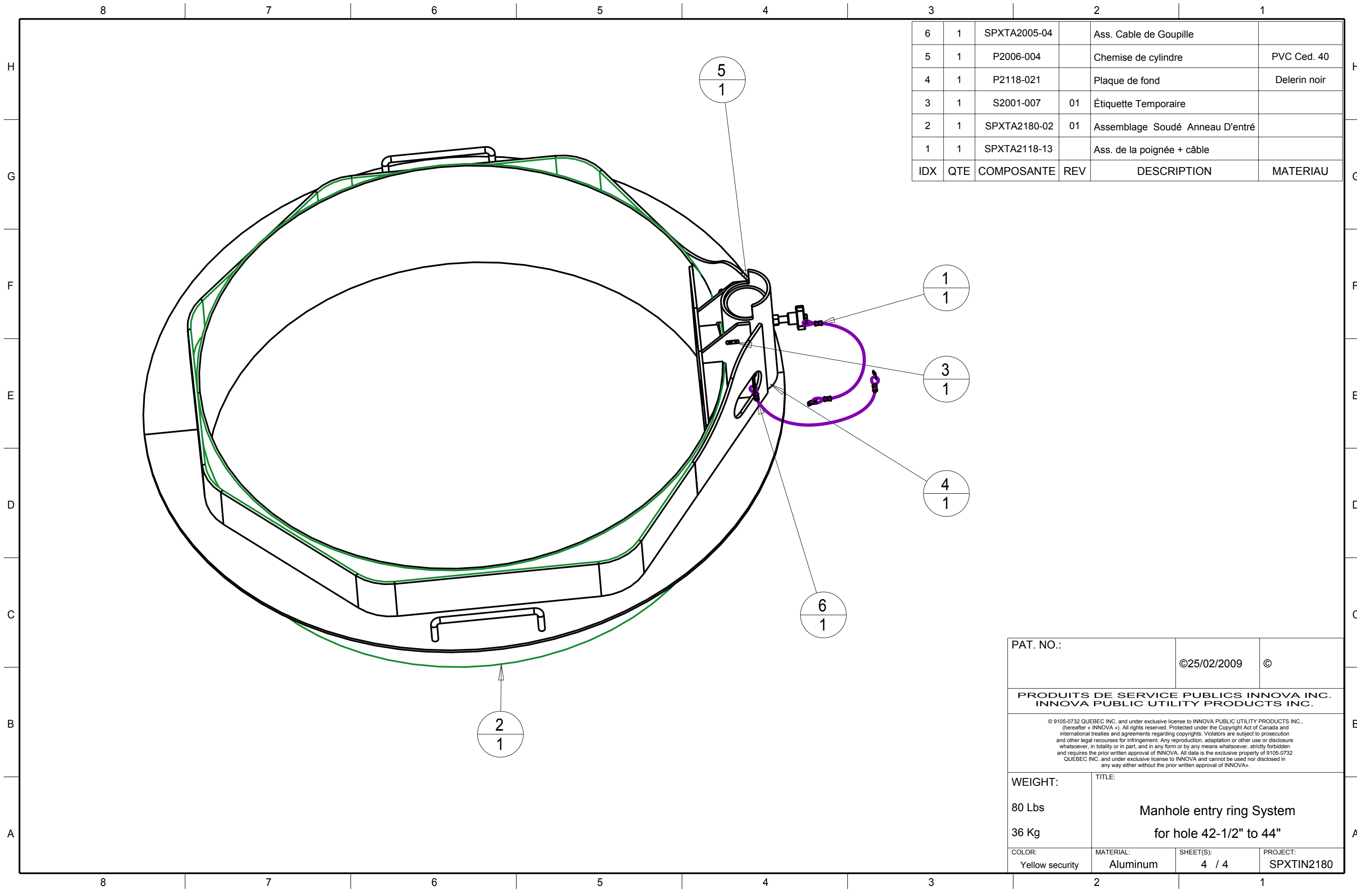
A •• This equipment must always be operated in a leveled position

Product number : SPXTIN2180



PAT. NO.:		025/02/2009 ©	
PRODUITS DE SERVICE PUBLICS INNOVA INC. INNOVA PUBLIC UTILITY PRODUCTS INC.			
<small>© 2009-2010 INNOVA INC. and under exclusive license to INNOVA PUBLIC UTILITY PRODUCTS INC. Invention of INNOVA INC. All rights reserved. Protected under the Copyright Act of Canada and International Treaties and agreements regarding copyright. Inventions are subject to protection and other legal measures for infringement. Any reproduction, adaptation or other use or disclosure without the prior written approval of INNOVA INC. is strictly prohibited. Infringement is a criminal offence under the Copyright Act of Canada and may result in civil and criminal penalties. INNOVA INC. and under exclusive license to INNOVA INC. cannot be held responsible for any use or misuse of this document without the prior written approval of INNOVA INC.</small>			
WEIGHT:		TITLE:	
80 Lbs		Manhole entry ring System	
361 Kg		for hole 42-1/2" to 44"	
COLOR:	MATERIAL:	SHEET(S):	PROJECT:
Yellow security	Aluminum	3 / 4	SPXTIN2180

Stamping space



IDX	QTE	COMPOSANTE	REV	DESCRIPTION	MATERIAU
6	1	SPXTA2005-04		Ass. Cable de Goupille	
5	1	P2006-004		Chemise de cylindre	PVC Ced. 40
4	1	P2118-021		Plaque de fond	Delerin noir
3	1	S2001-007	01	Étiquette Temporaire	
2	1	SPXTA2180-02	01	Assemblage Soudé Anneau D'entrée	
1	1	SPXTA2118-13		Ass. de la poignée + câble	

PAT. NO.:		©25/02/2009	©
PRODUITS DE SERVICE PUBLICS INNOVA INC. INNOVA PUBLIC UTILITY PRODUCTS INC.			
© 9105-0732 QUEBEC INC. and under exclusive license to INNOVA PUBLIC UTILITY PRODUCTS INC., (hereafter « INNOVA »). All rights reserved. Protected under the Copyright Act of Canada and international treaties and agreements regarding copyrights. Violators are subject to prosecution and other legal recourses for infringement. Any reproduction, adaptation or other use or disclosure whatsoever, in totality or in part, and in any form or by any means whatsoever, strictly forbidden and requires the prior written approval of INNOVA. All data is the exclusive property of 9105-0732 QUEBEC INC. and under exclusive license to INNOVA and cannot be used nor disclosed in any way either without the prior written approval of INNOVA.			
WEIGHT:	TITLE:		
80 Lbs	Manhole entry ring System		
36 Kg	for hole 42-1/2" to 44"		
COLOR:	MATERIAL:	SHEET(S):	PROJECT:
Yellow security	Aluminum	4 / 4	SPXTIN2180