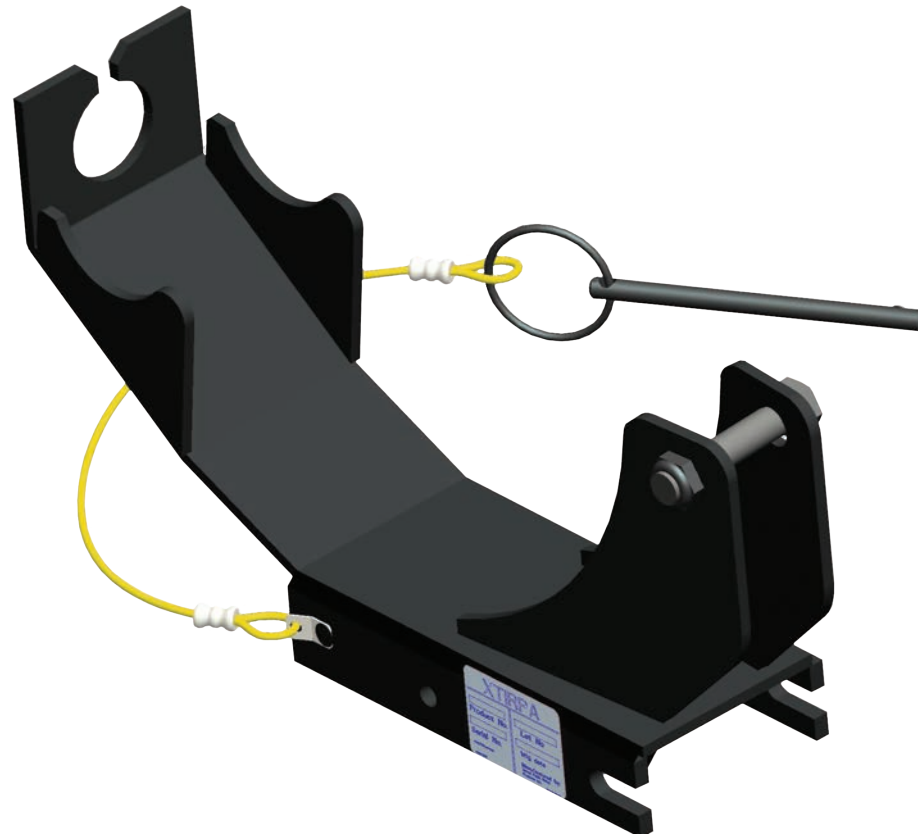


SPXTIN2225-01: Winch Support for Miller M52/25PI



SpanSet Australia Ltd

13 Pullman Place
Emu Plains
NSW 2750
Australia

Telephone

+61 2 4735 3955

Fax

+61 2 4735 3630

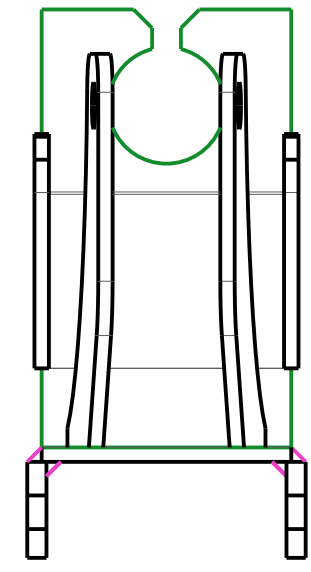
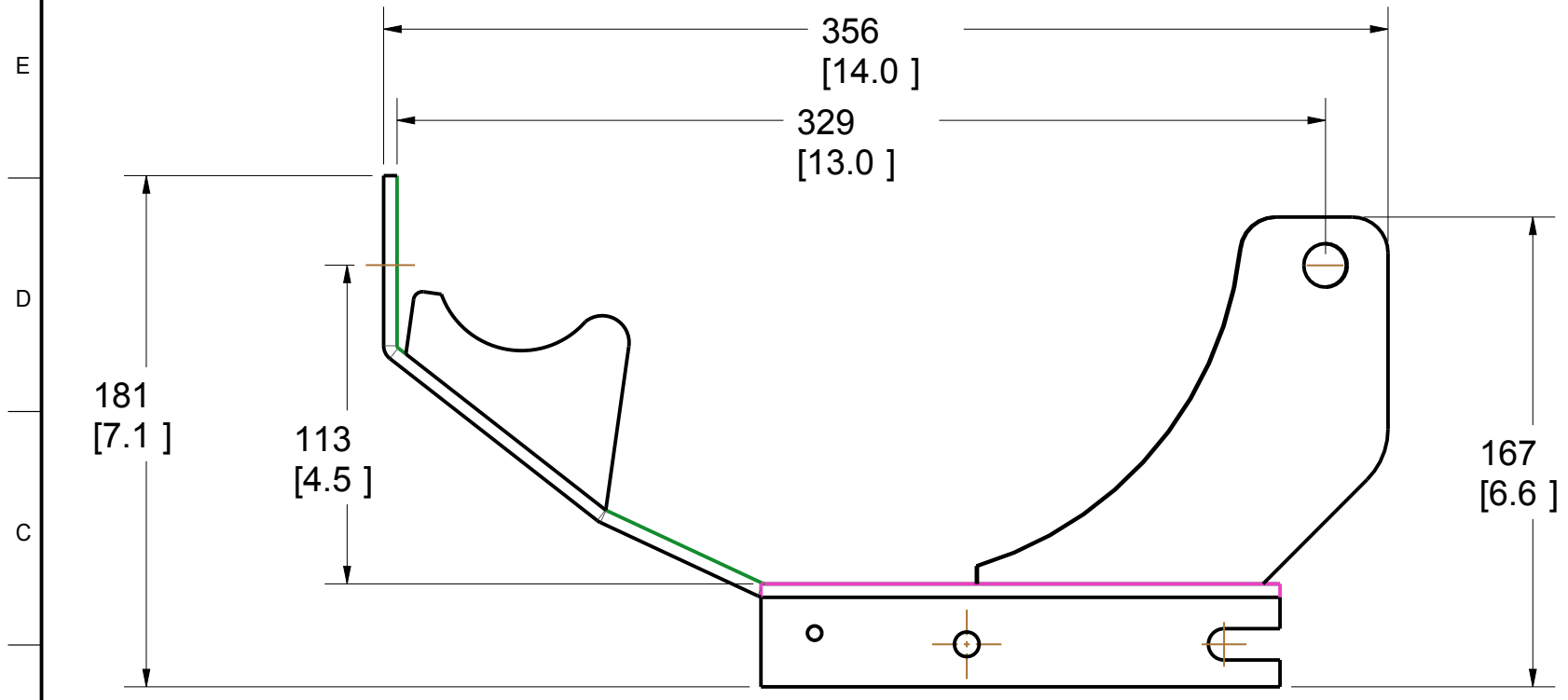
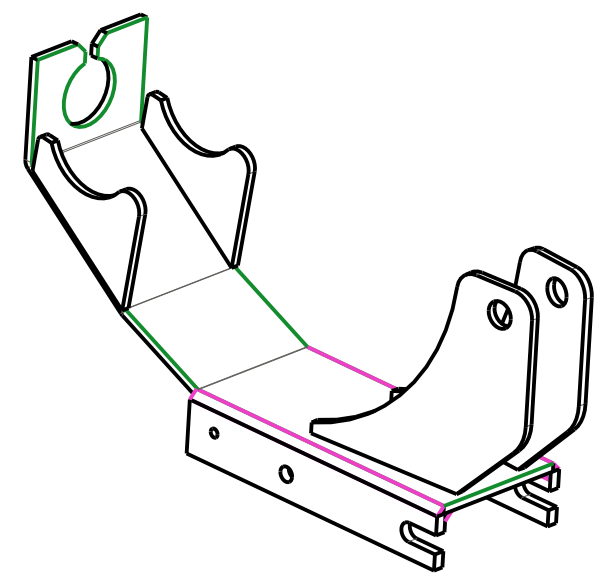
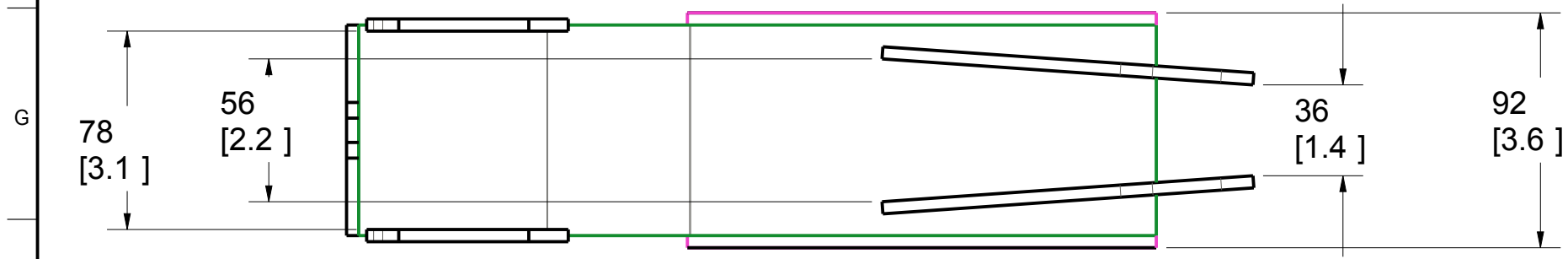
E-mail

sales@spanset.com.au

Internet

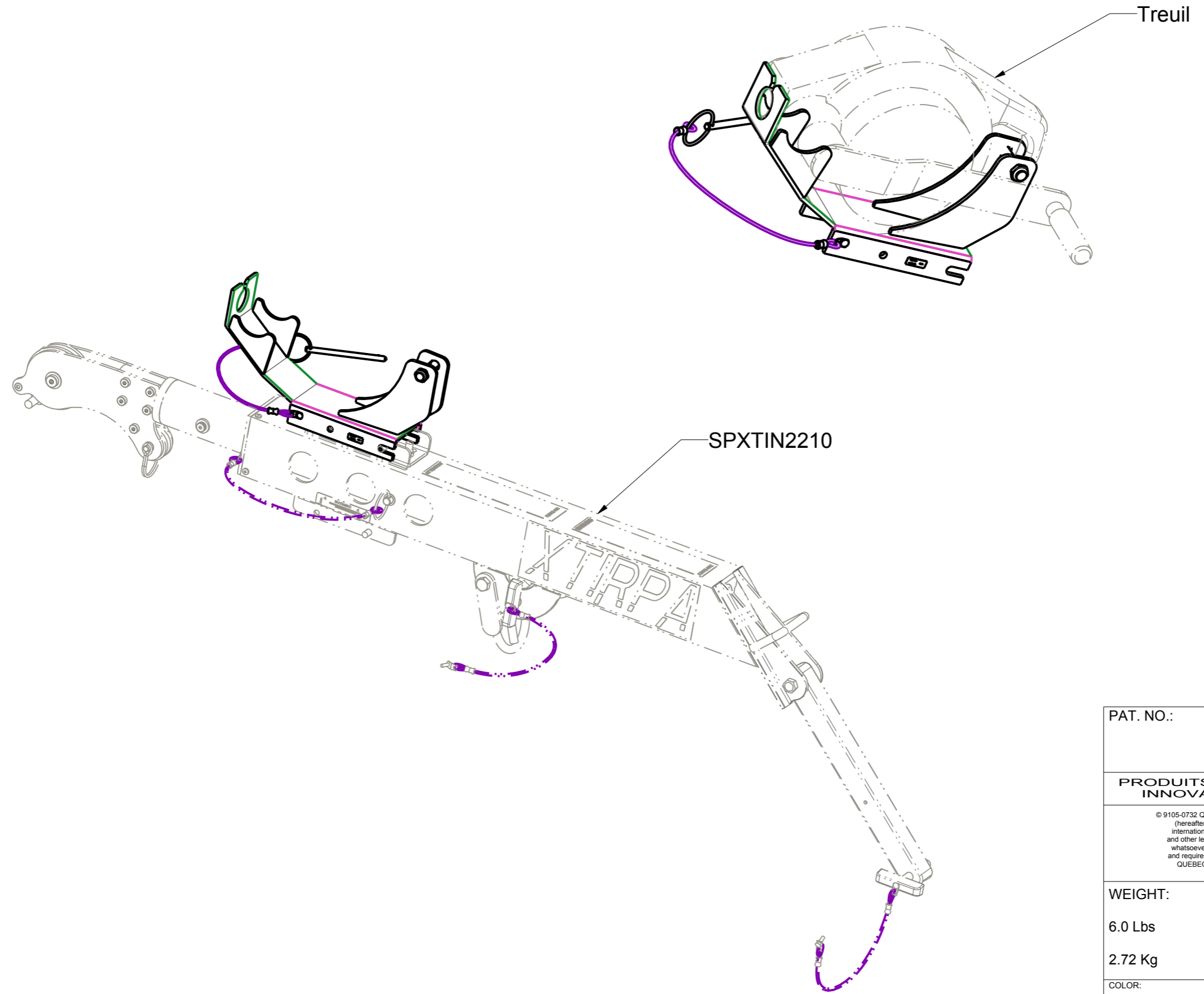
www.spanset.com.au

Product number: SPXTIN2225



PAT. NO.:		©	©
PRODUITS DE SERVICE PUBLICS INNOVA INC. INNOVA PUBLIC UTILITY PRODUCTS INC.			
<small>© 9105-0732 QUEBEC INC. and under exclusive license to INNOVA PUBLIC UTILITY PRODUCTS INC., (hereafter « INNOVA »). All rights reserved. Protected under the Copyright Act of Canada and international treaties and agreements regarding copyrights. Violators are subject to prosecution and other legal recourses for infringement. Any reproduction, adaptation or other use or disclosure whatsoever, in totality or in part, and in any form or by any means whatsoever, strictly forbidden and requires the prior written approval of INNOVA. All data is the exclusive property of 9105-0732 QUEBEC INC. and under exclusive license to INNOVA and cannot be used nor disclosed in any way either without the prior written approval of INNOVA.</small>			
WEIGHT:	TITLE:		
6.0 Lbs	Winch Support for Miller M52/25pi		
2.72 Kg			
COLOR:	MATERIAL:	SHEET(S):	PROJECT:
Black	Steel	1 / 4	SPXTIN2225

Product number: SPXTIN2225



PAT. NO.:		©	©
PRODUITS DE SERVICE PUBLICS INNOVA INC. INNOVA PUBLIC UTILITY PRODUCTS INC.			
<small>© 9105-0732 QUEBEC INC. and under exclusive license to INNOVA PUBLIC UTILITY PRODUCTS INC., (hereafter « INNOVA »). All rights reserved. Protected under the Copyright Act of Canada and international treaties and agreements regarding copyrights. Violators are subject to prosecution and other legal recourses for infringement. Any reproduction, adaptation or other use or disclosure whatsoever, in totality or in part, and in any form or by any means whatsoever, strictly forbidden and requires the prior written approval of INNOVA. All data is the exclusive property of 9105-0732 QUEBEC INC. and under exclusive license to INNOVA and cannot be used nor disclosed in any way either without the prior written approval of INNOVA.</small>			
WEIGHT:	TITLE:		
6.0 Lbs	Winch Support for Miller M52/25pi		
2.72 Kg			
COLOR:	MATERIAL:	SHEET(S):	PROJECT:
Black	Steel	2 / 4	SPXTIN2225

Product number: SPXTIN2225

SPECIFICATIONS

This product is man rated with a maximum working capacity of 360lbs (164kg). It is only to be used in conjunction with personal fall arrest equipment that limits the maximum arrest force (MAF).

Maximum Working Load (user + equipment) : 164 kg (360 lbs)
 Maximum Proof Load : 1640 kg (3600 lbs)

STANDARDS

Meets the following standards:
 OSHA Personal fall arrest system - 1910.66 App C
 ANSI Safety requirements for personal fall arrest system, subsystems and components Z359.1 (R1999)
 CAN/CSA Fall arresters, vertical lifelines, and rails Z259.2.1-98

MATERIAL AND CONSTRUCTION

Body and supports : Steel 44W
 Hardware :Gr.5 Zinc plated Steel
 Pin : Zinc plated Steel
 Lanyard : Nylon covered Steel Cable
 Finish : Black powder paint with metal protection base.
 Welding Certification : CSA W59 & W47.1,
 AWS D1.6

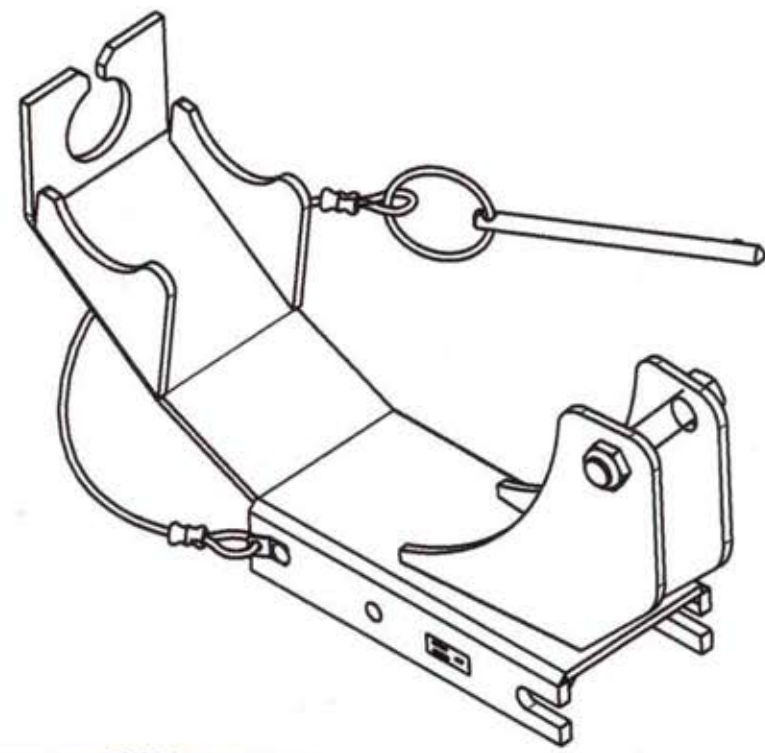
RESTRICTIONS

Winch adaptors are designed to function only with Innova public utility products INC. equipment.

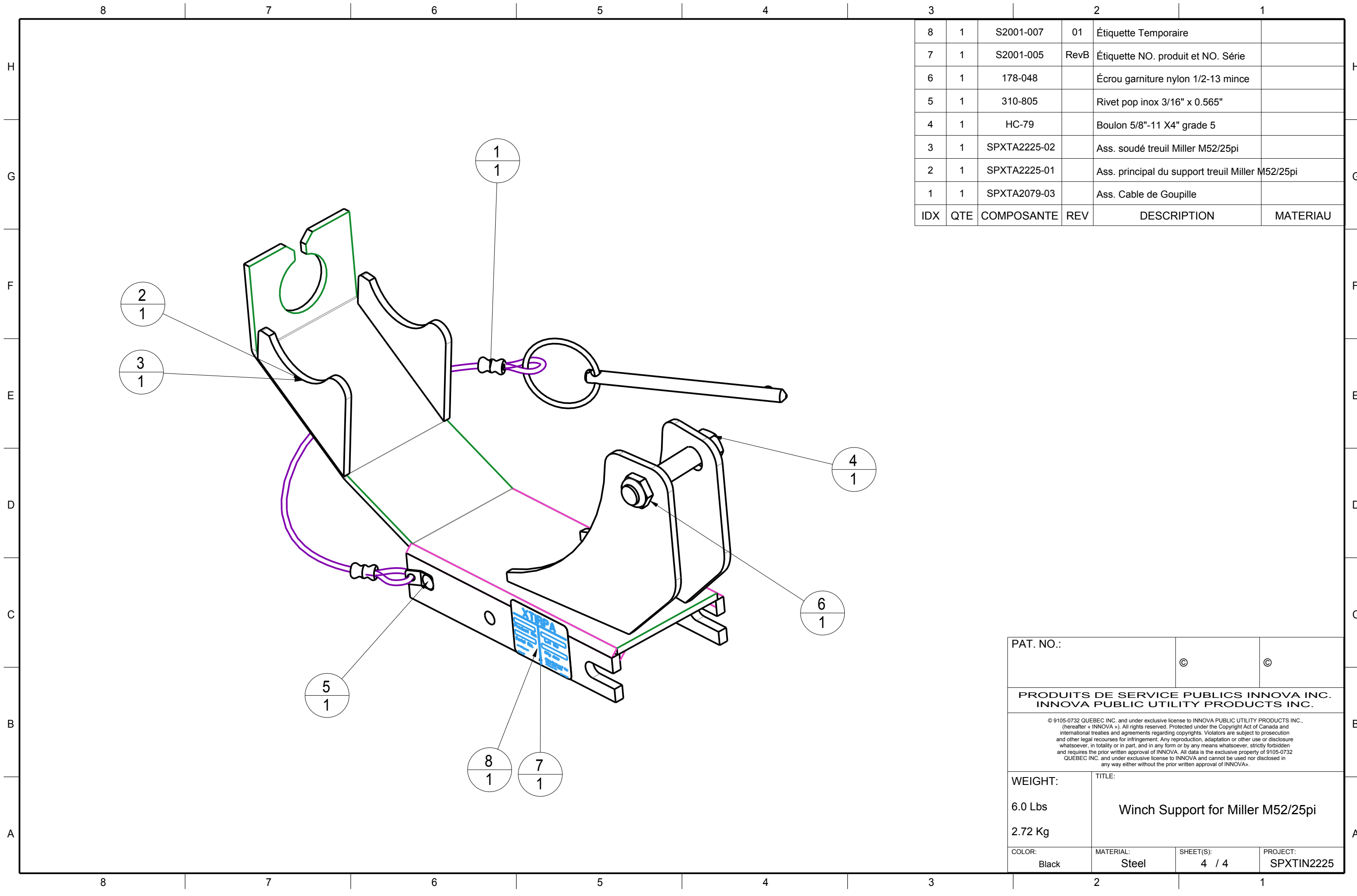
IMPORTANT :

The mounting pin and hardware must always be in place at all times. Always use the manufacturers original pin and hardware. No substitutes.

Periodic inspections of winch adaptors must be done to ensure personnel safety.
 All equipment and hardware must be inspected before re-using by qualified personnel when a fall has occurred.



PAT. NO.:		0	0
PRODUITS DE SERVICE PUBLICS INNOVA INC. INNOVA PUBLIC UTILITY PRODUCTS INC.			
<small>© 1998-2000 INNOVA INC. and under exclusive license to INNOVA PUBLIC UTILITY PRODUCTS INC. Invention of INNOVA INC. All rights reserved. Protected under the Copyright Act of Canada and other legal countries. All equipment, and trademark, registration or other use or disclosure without prior written approval of INNOVA. All other use is prohibited. INNOVA INC. and under exclusive license to INNOVA and cannot be sold or distributed in any way without the prior written approval of INNOVA.</small>			
WEIGHT:	TITLE:		
6.0 Lbs	Winch Support for Miller M52/25pi		
2.72 Kg			
COLOR:	MATERIAL:	SHEET(S):	PROJECT:
Black	Steel	3 / 4	SPXTIN2225



IDX	QTE	COMPOSANTE	REV	DESCRIPTION	MATERIAU
8	1	S2001-007	01	Étiquette Temporaire	
7	1	S2001-005	RevB	Étiquette NO. produit et NO. Série	
6	1	178-048		Écrou garniture nylon 1/2-13 mince	
5	1	310-805		Rivet pop inox 3/16" x 0.565"	
4	1	HC-79		Boulon 5/8"-11 X4" grade 5	
3	1	SPXTA2225-02		Ass. soudé treuil Miller M52/25pi	
2	1	SPXTA2225-01		Ass. principal du support treuil Miller M52/25pi	
1	1	SPXTA2079-03		Ass. Cable de Goupille	

PAT. NO.:		©	©
PRODUITS DE SERVICE PUBLICS INNOVA INC. INNOVA PUBLIC UTILITY PRODUCTS INC.			
<small>© 9105-0732 QUEBEC INC. and under exclusive license to INNOVA PUBLIC UTILITY PRODUCTS INC., (hereafter « INNOVA »). All rights reserved. Protected under the Copyright Act of Canada and international treaties and agreements regarding copyrights. Violators are subject to prosecution and other legal recourses for infringement. Any reproduction, adaptation or other use or disclosure whatsoever, in totality or in part, and in any form or by any means whatsoever, strictly forbidden and requires the prior written approval of INNOVA. All data is the exclusive property of 9105-0732 QUEBEC INC. and under exclusive license to INNOVA and cannot be used nor disclosed in any way either without the prior written approval of INNOVA.</small>			
WEIGHT:	TITLE:		
6.0 Lbs	Winch Support for Miller M52/25pi		
2.72 Kg			
COLOR:	MATERIAL:	SHEET(S):	PROJECT:
Black	Steel	4 / 4	SPXTIN2225