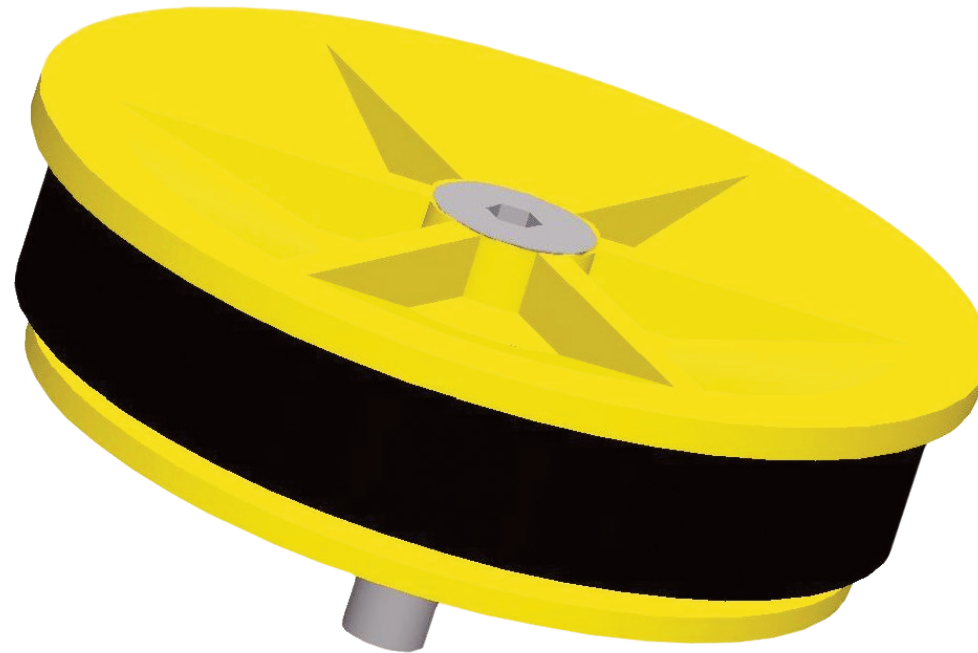


## SPXTIN2272-01: Wireless Cap for Adapter 4"



### SpanSet Australia Ltd

150 Old Bathurst Road  
Emu Plains  
NSW 2750  
Australia

### Telephone

+61 2 4735 3955

### Fax

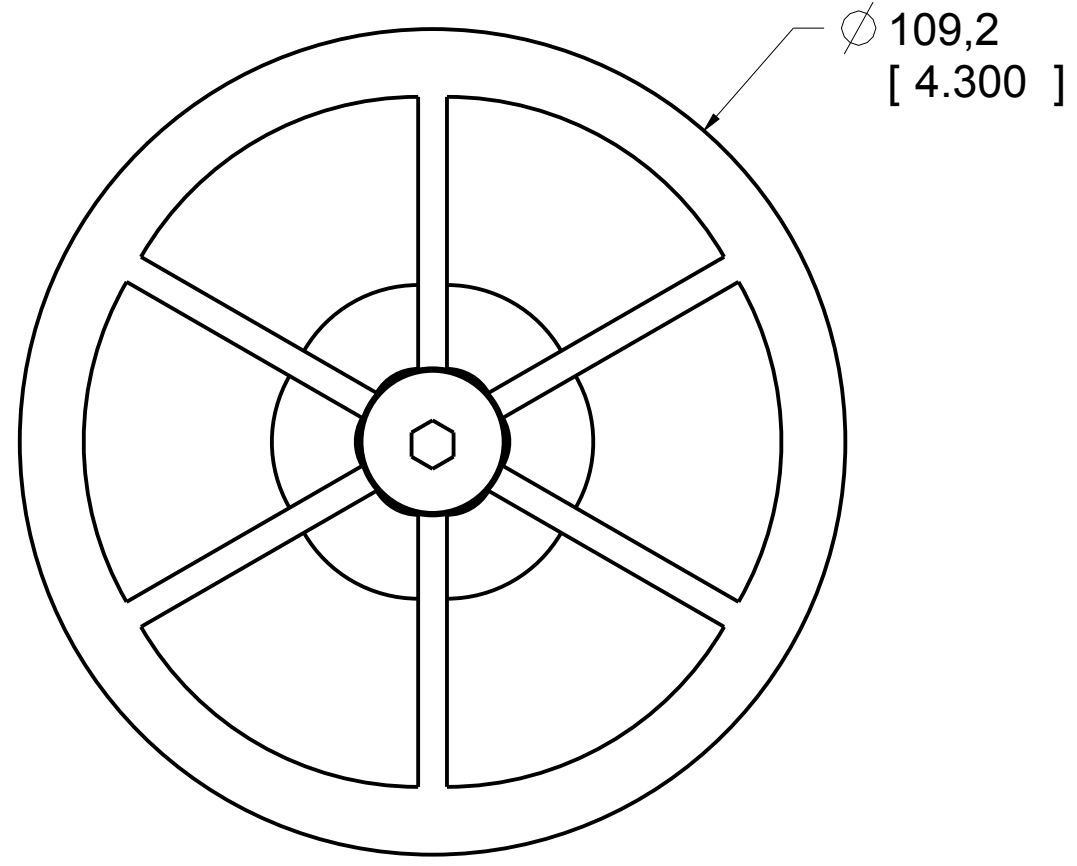
+61 2 4735 3630

### E-mail

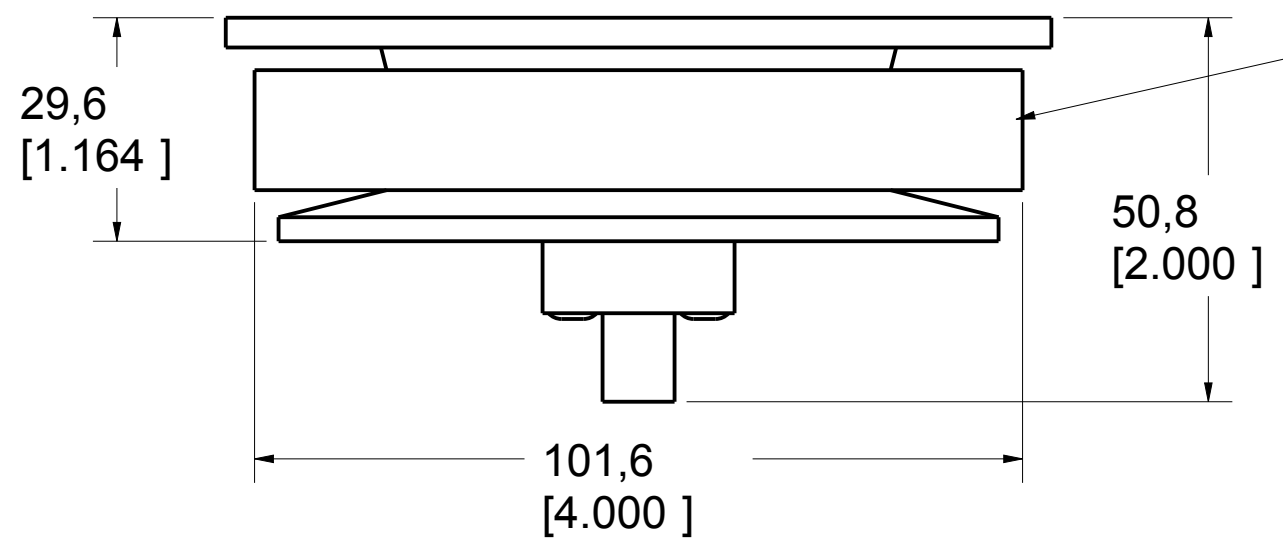
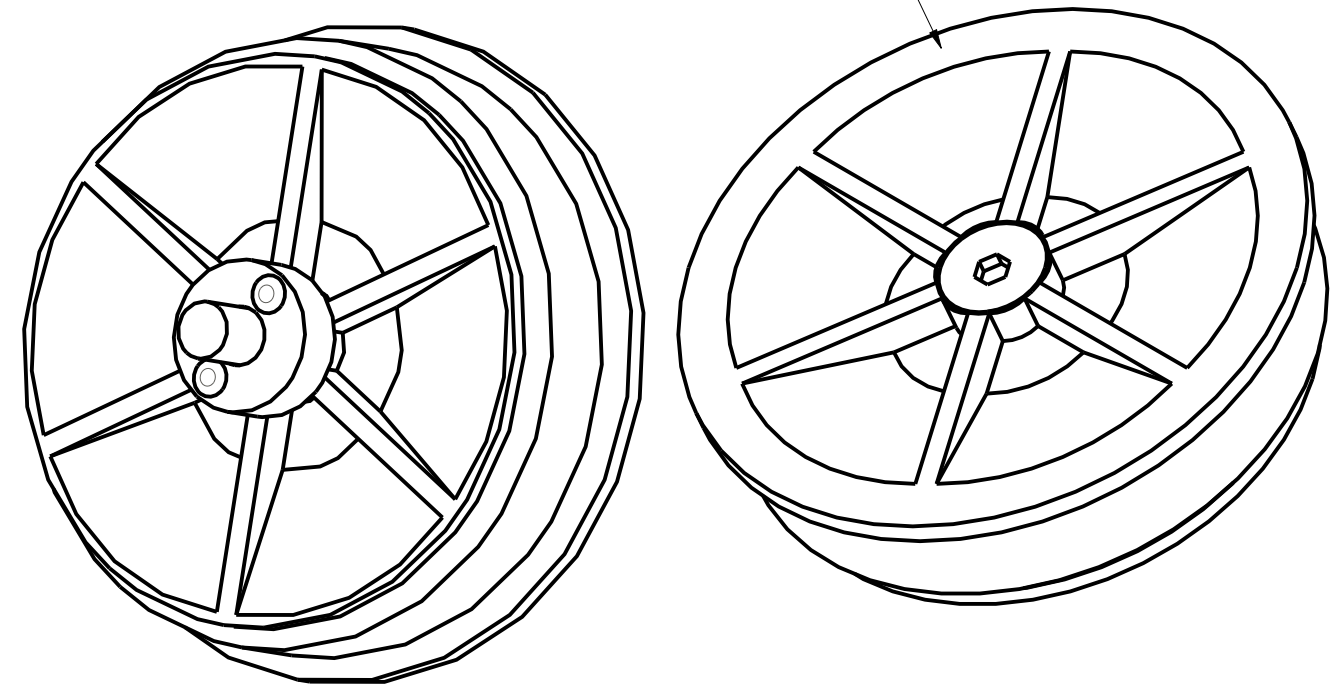
[sales@spanset.com.au](mailto:sales@spanset.com.au)

### Internet

[www.spanset.com.au](http://www.spanset.com.au)

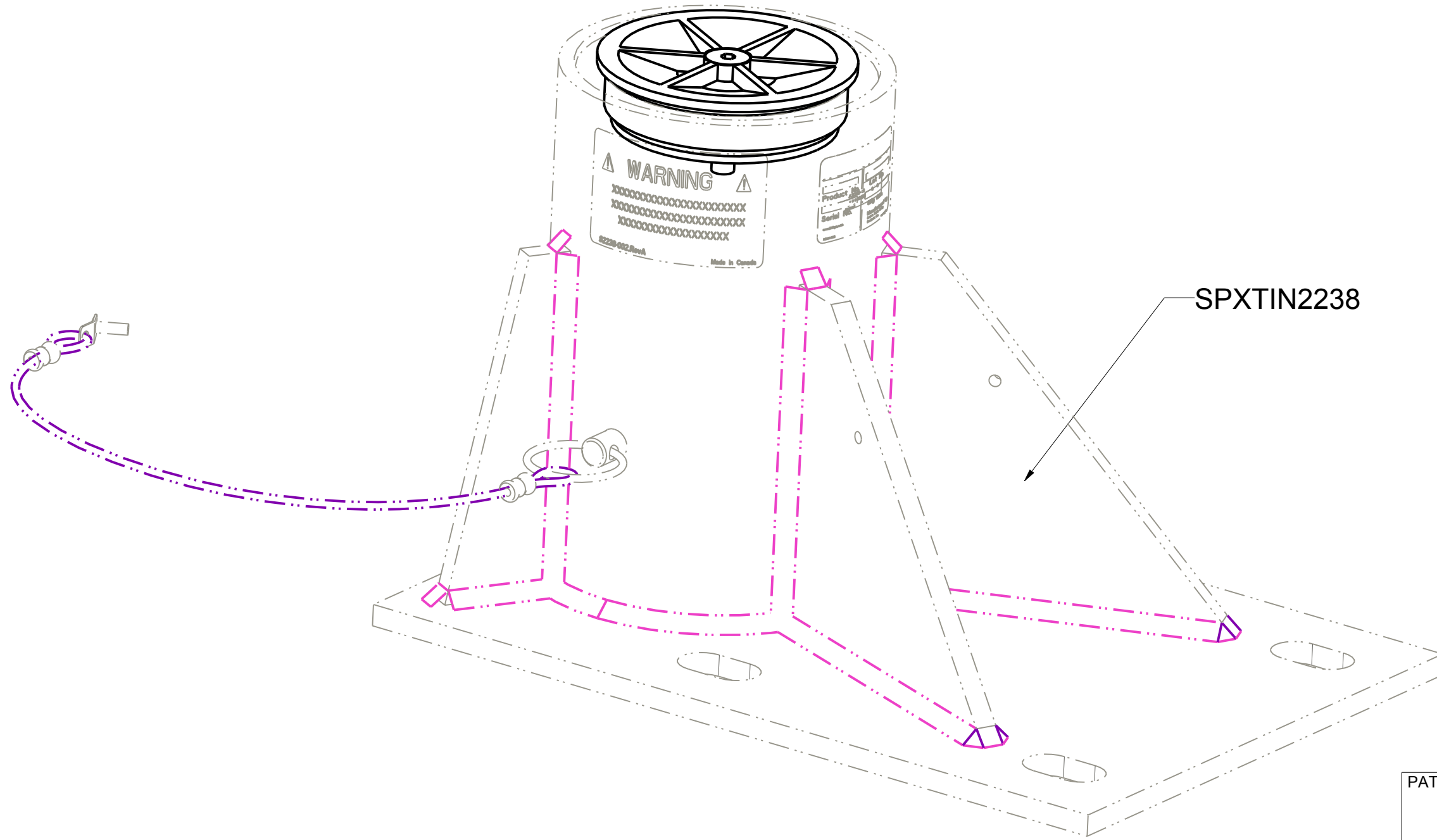


Yellow plastic body



PAT. NO.:		©04/05/2011	©
<b>PRODUITS DE SERVICE PUBLICS INNOVA INC.</b> <b>INNOVA PUBLIC UTILITY PRODUCTS INC.</b>			
<small>© 9105-0732 QUEBEC INC. and under exclusive license to INNOVA PUBLIC UTILITY PRODUCTS INC., (hereafter « INNOVA »). All rights reserved. Protected under the Copyright Act of Canada and international treaties and agreements regarding copyrights. Violators are subject to prosecution and other legal recourses for infringement. Any reproduction, adaptation or other use or disclosure whatsoever, in totality or in part, and in any form or by any means whatsoever, strictly forbidden and requires the prior written approval of INNOVA. All data is the exclusive property of 9105-0732 QUEBEC INC. and under exclusive license to INNOVA and cannot be used nor disclosed in any way either without the prior written approval of INNOVA.</small>			
WEIGHT:	TITLE:		
0.5 Lbs	Wireless Cap for adapter 4"		
0.227 Kg			
COLOR:	MATERIAL:	SHEET(S):	PROJECT:
Black / yellow	Plastic / rubber	1 / 3	SPXTIN2272

Product number: SPXTIN2272



PAT. NO.:		©04/05/2011	©
<b>PRODUITS DE SERVICE PUBLICS INNOVA INC.</b> <b>INNOVA PUBLIC UTILITY PRODUCTS INC.</b>			
© 9105-0732 QUEBEC INC. and under exclusive license to INNOVA PUBLIC UTILITY PRODUCTS INC., (hereafter « INNOVA »). All rights reserved. Protected under the Copyright Act of Canada and international treaties and agreements regarding copyrights. Violators are subject to prosecution and other legal recourses for infringement. Any reproduction, adaptation or other use or disclosure whatsoever, in totality or in part, and in any form or by any means whatsoever, strictly forbidden and requires the prior written approval of INNOVA. All data is the exclusive property of 9105-0732 QUEBEC INC. and under exclusive license to INNOVA and cannot be used nor disclosed in any way either without the prior written approval of INNOVA».			
WEIGHT:		TITLE:	
0.5 Lbs		<b>Wireless Cap for adapter 4"</b>	
0.227 Kg			
COLOR:	MATERIAL:	SHEET(S):	PROJECT:
Black / yellow	Plastic / rubber	2 / 3	SPXTIN2272

8

7

6

5

4

3

2

1

Product number: SPXTIN2272

4	1	P2072-004		Bague de retenue	Bronze SAE 660
3	1	370-323		Vis inox 6 pans creux tête fraisier 3/8-*16 x 2"	
2	2	310-836		Rivet 1/8" x .640" grip	
1	1	270-245		Bouchon 4"	
IDX	QTE	COMPOSANTE	REV	DESCRIPTION	MATERIAU

H

G

F

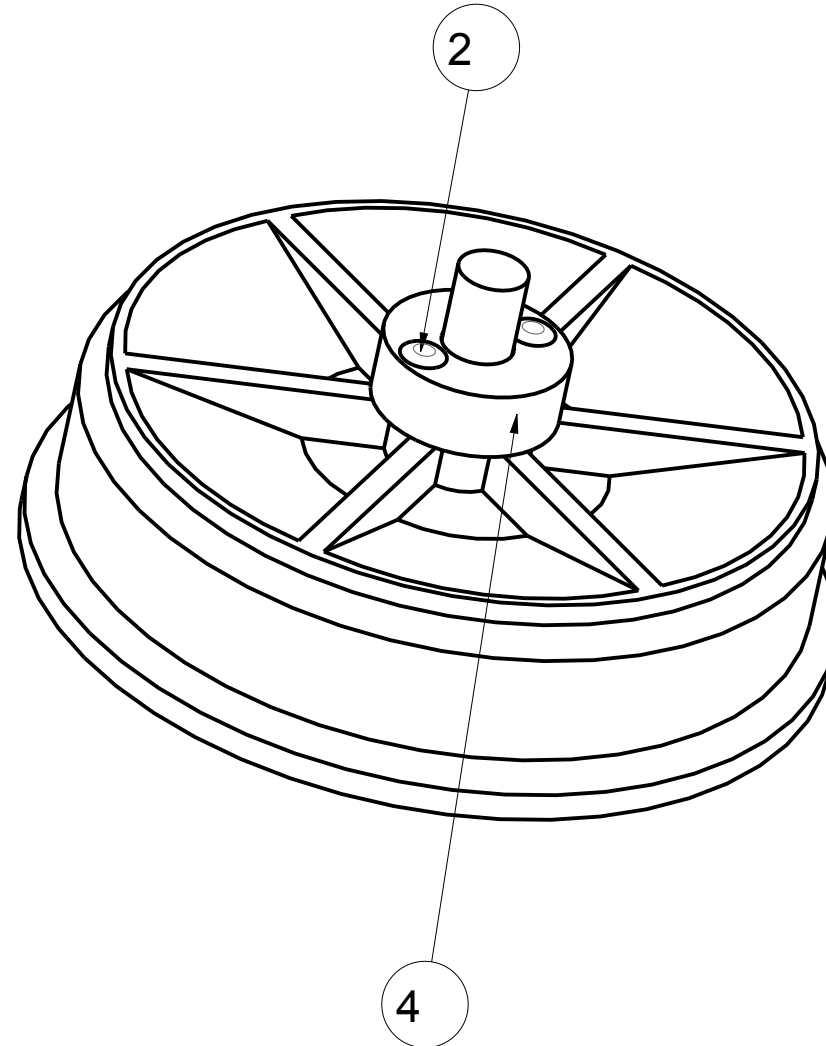
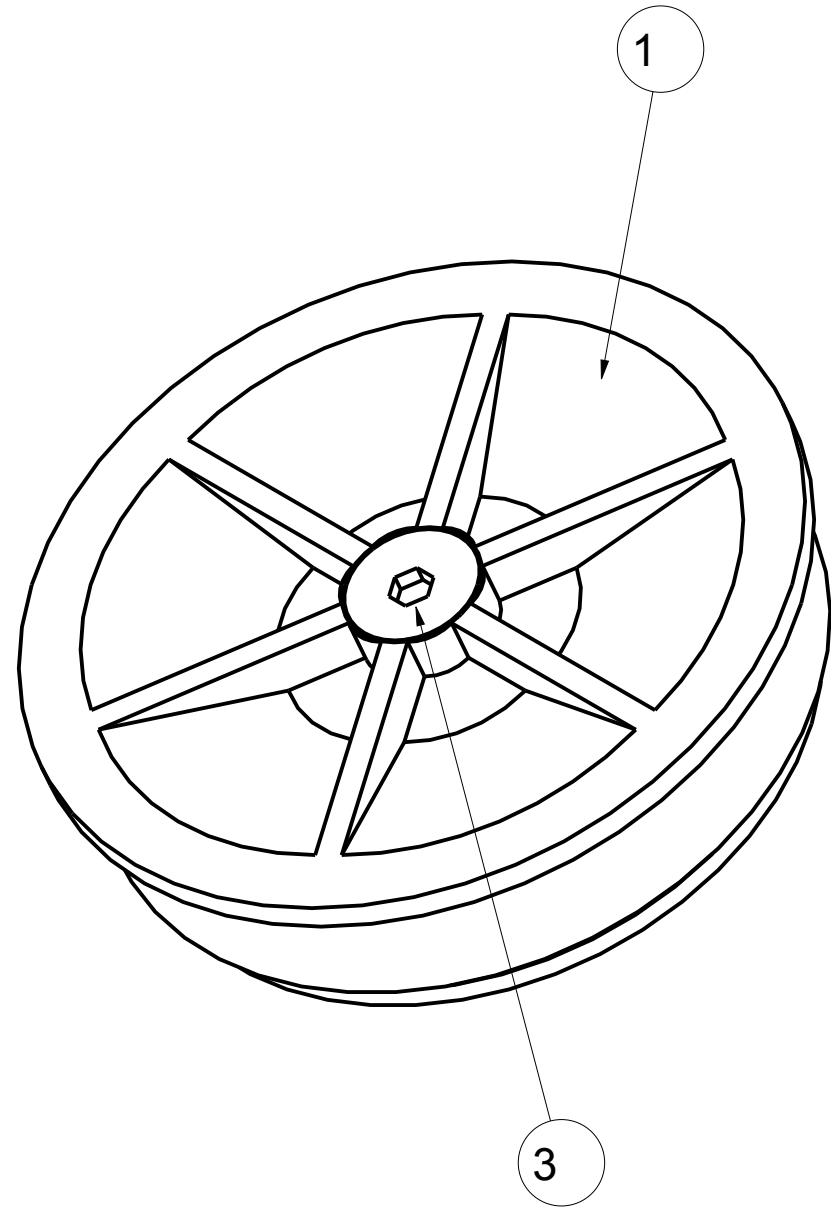
E

D

C

B

A



H

G

F

E

D

C

B

A

PAT. NO.:	©04/05/2011	©
-----------	-------------	---

PRODUITS DE SERVICE PUBLICS INNOVA INC.  
INNOVA PUBLIC UTILITY PRODUCTS INC.

© 9105-0732 QUEBEC INC. and under exclusive license to INNOVA PUBLIC UTILITY PRODUCTS INC. (hereafter « INNOVA »). All rights reserved. Protected under the Copyright Act of Canada and international treaties and agreements regarding copyrights. Violators are subject to prosecution and other legal recourses for infringement. Any reproduction, adaptation or other use or disclosure whatsoever, in totality or in part, and in any form or by any means whatsoever, strictly forbidden and requires the prior written approval of INNOVA. All data is the exclusive property of 9105-0732 QUEBEC INC. and under exclusive license to INNOVA and cannot be used nor disclosed in any way either without the prior written approval of INNOVA.

WEIGHT:	TITLE: <b>Wireless Cap for adapter 4"</b>		
0.5 Lbs			
0.227 Kg			
COLOR: Black / yellow	MATERIAL: Plastic / rubber	SHEET(S): 3 / 3	PROJECT: SPXTIN2272

8

7

6

5

4

3

2

1