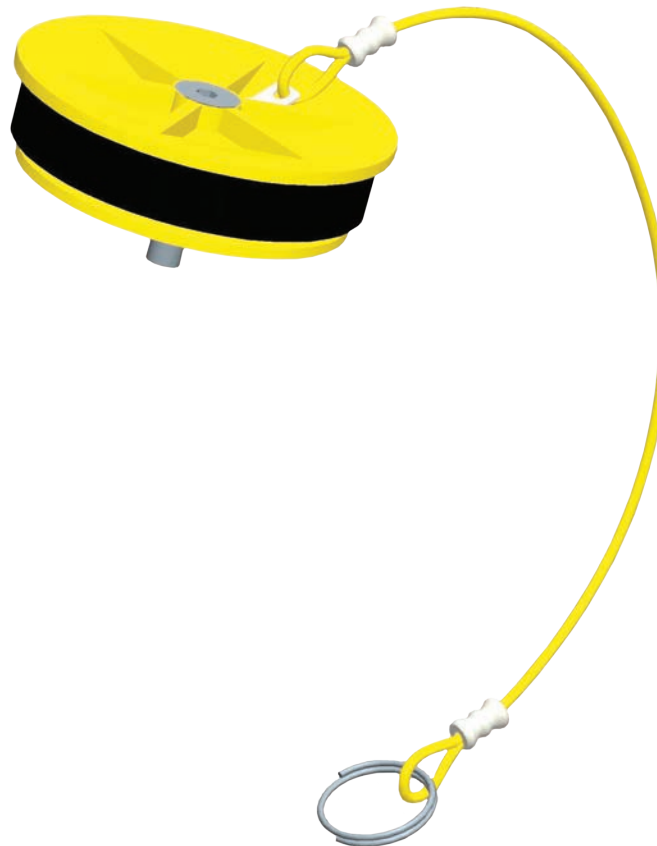


SPXTIN2273-01: Cap for Adapter 4" with Lanyard



SpanSet Australia Ltd

150 Old Bathurst Road
Emu Plains
NSW 2750
Australia

Telephone

+61 2 4735 3955

Fax

+61 2 4735 3630

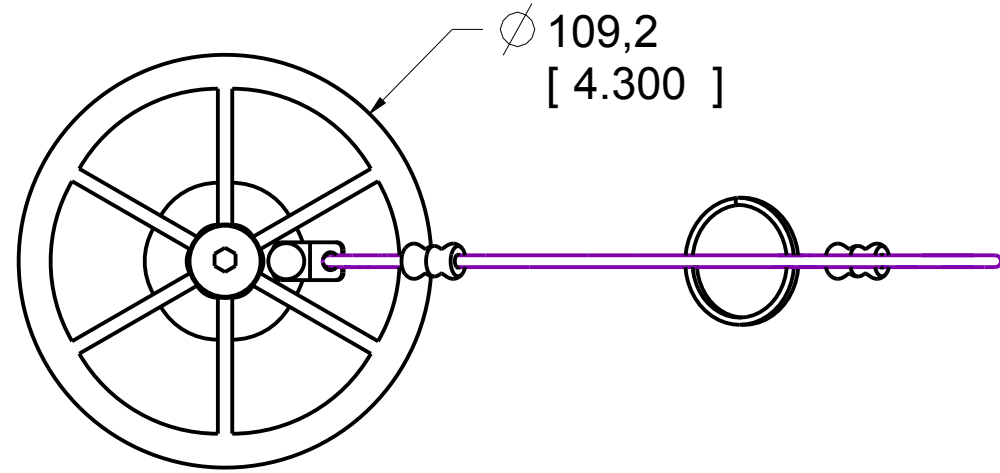
E-mail

sales@spanset.com.au

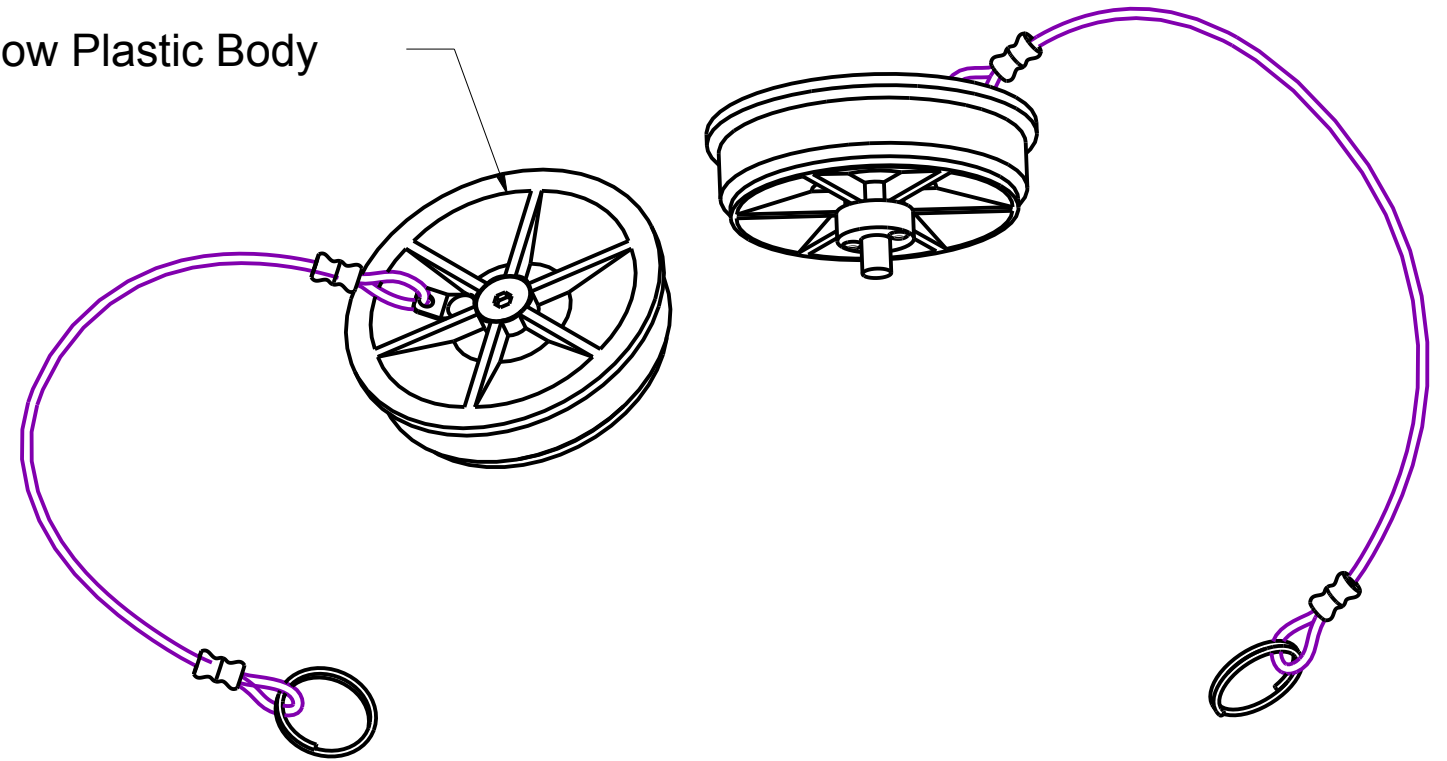
Internet

www.spanset.com.au

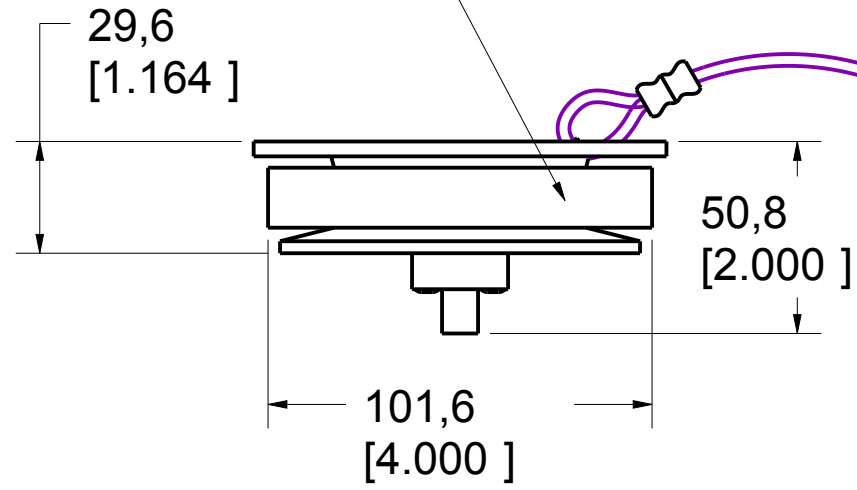
Product number: SPXTIN2273



Yellow Plastic Body

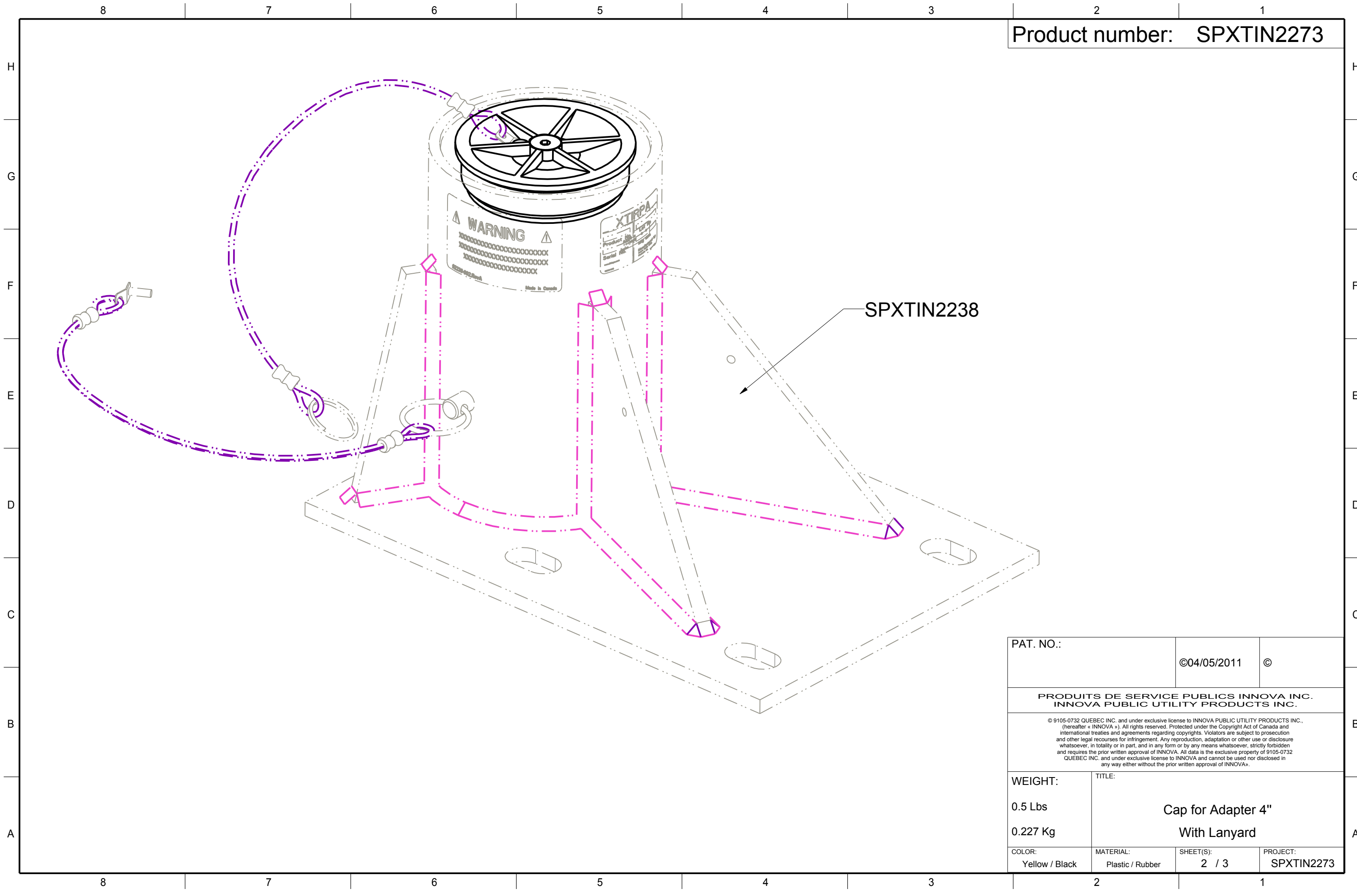


Rubber Ring



PAT. NO.:		©04/05/2011	©
PRODUITS DE SERVICE PUBLICS INNOVA INC. INNOVA PUBLIC UTILITY PRODUCTS INC.			
<small>© 9105-0732 QUEBEC INC. and under exclusive license to INNOVA PUBLIC UTILITY PRODUCTS INC. (hereafter « INNOVA »). All rights reserved. Protected under the Copyright Act of Canada and international treaties and agreements regarding copyrights. Violators are subject to prosecution and other legal recourses for infringement. Any reproduction, adaptation or other use or disclosure whatsoever, in totality or in part, and in any form or by any means whatsoever, strictly forbidden and requires the prior written approval of INNOVA. All data is the exclusive property of 9105-0732 QUEBEC INC. and under exclusive license to INNOVA and cannot be used nor disclosed in any way either without the prior written approval of INNOVA.</small>			
WEIGHT:	TITLE:		
0.5 Lbs	Cap for Adapter 4"		
0.227 Kg	With Lanyard		
COLOR:	MATERIAL:	SHEET(S):	PROJECT:
Yellow / Black	Plastic / Rubber	1 / 3	SPXTIN2273

Product number: SPXTIN2273



PAT. NO.:		©04/05/2011		©
PRODUITS DE SERVICE PUBLICS INNOVA INC. INNOVA PUBLIC UTILITY PRODUCTS INC.				
<small>© 9105-0732 QUEBEC INC. and under exclusive license to INNOVA PUBLIC UTILITY PRODUCTS INC., (hereafter « INNOVA »). All rights reserved. Protected under the Copyright Act of Canada and international treaties and agreements regarding copyrights. Violators are subject to prosecution and other legal recourses for infringement. Any reproduction, adaptation or other use or disclosure whatsoever, in totality or in part, and in any form or by any means whatsoever, strictly forbidden and requires the prior written approval of INNOVA. All data is the exclusive property of 9105-0732 QUEBEC INC. and under exclusive license to INNOVA and cannot be used nor disclosed in any way either without the prior written approval of INNOVA.</small>				
WEIGHT:	TITLE:			
0.5 Lbs	Cap for Adapter 4"			
0.227 Kg	With Lanyard			
COLOR:	MATERIAL:	SHEET(S):	PROJECT:	
Yellow / Black	Plastic / Rubber	2 / 3	SPXTIN2273	

8

7

6

5

4

3

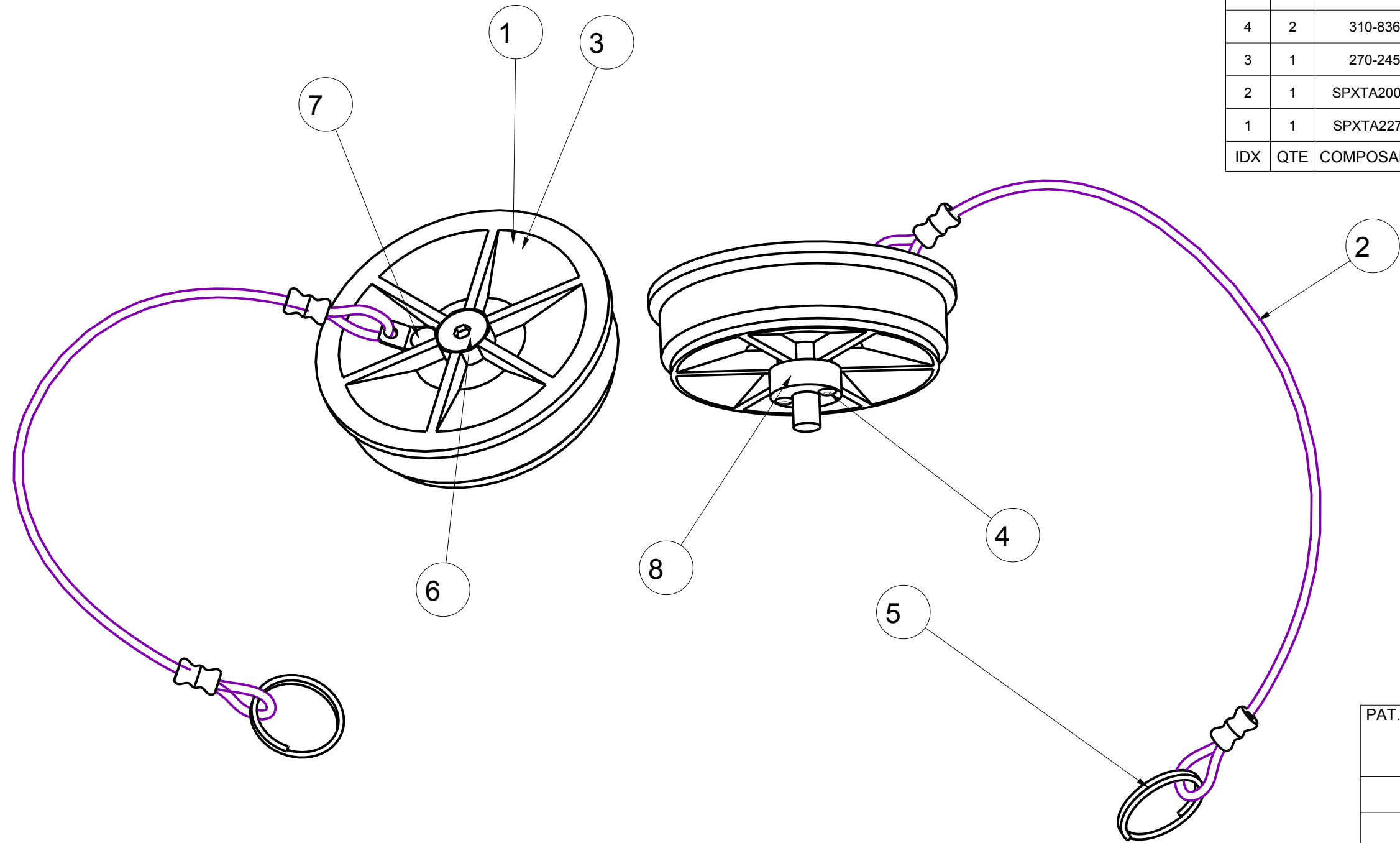
2

1

Product number: SPXTIN2273

8	1	P2072-004		Bague de retenue	Bronze SAE 660
7	1	310-804		Rivet pop inox 3/16" x 0.440"	
6	1	370-323		Vis inox 6 pans creux tête fraisier 3/8-*16 x 2"	
5	1	121-161		Anneau pour goupille acier 1.25" x 1.062"	
4	2	310-836		Rivet 1/8" x .640" grip	
3	1	270-245		Bouchon 4"	
2	1	SPXTA2005-03		Ass. du Cable	
1	1	SPXTA2272-01		Ass. Bouchon sans fil pour adaptateur 4"	
IDX	QTE	COMPOSANTE	REV	DESCRIPTION	MATERIAU

H
G
F
E
D
C
B
A



PAT. NO.:		©04/05/2011	©
PRODUITS DE SERVICE PUBLICS INNOVA INC. INNOVA PUBLIC UTILITY PRODUCTS INC.			
<small>© 9105-0732 QUEBEC INC. and under exclusive license to INNOVA PUBLIC UTILITY PRODUCTS INC., (hereafter « INNOVA »). All rights reserved. Protected under the Copyright Act of Canada and international treaties and agreements regarding copyrights. Violators are subject to prosecution and other legal recourses for infringement. Any reproduction, adaptation or other use or disclosure whatsoever, in totality or in part, and in any form or by any means whatsoever, strictly forbidden and requires the prior written approval of INNOVA. All data is the exclusive property of 9105-0732 QUEBEC INC. and under exclusive license to INNOVA and cannot be used nor disclosed in any way either without the prior written approval of INNOVA.</small>			
WEIGHT:	TITLE:		
0.5 Lbs	Cap for Adapter 4" With Lanyard		
0.227 Kg			
COLOR:	MATERIAL:	SHEET(S):	PROJECT:
Yellow / Black	Plastic / Rubber	3 / 3	SPXTIN2273

8

7

6

5

4

3

2

1