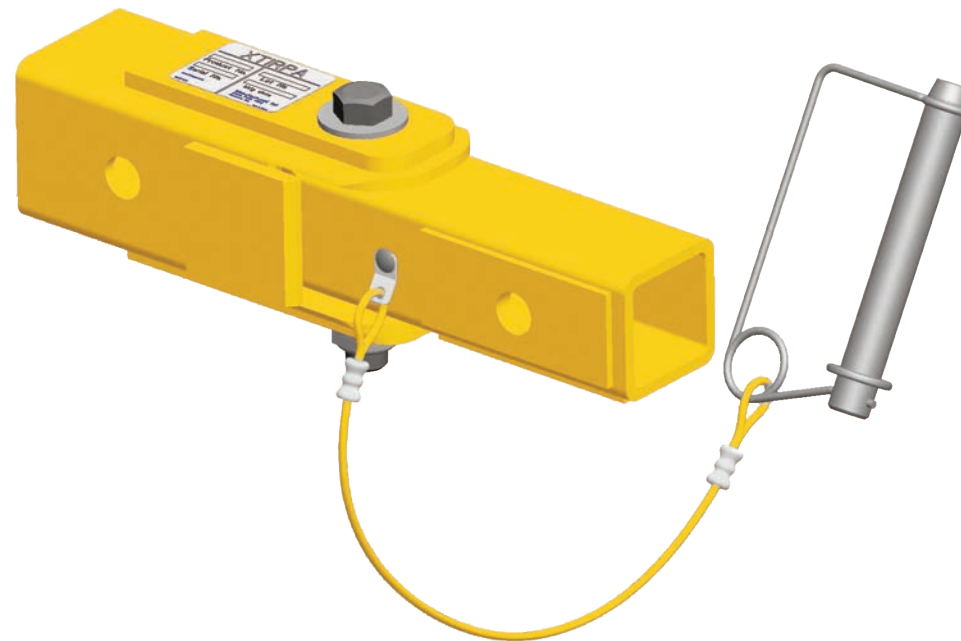


## SPXTIN2126-07: Universal Joint



### SpanSet Australia Ltd

150 Old Bathurst Road  
Emu Plains  
NSW 2750  
Australia

### Telephone

+61 2 4735 3955

### Fax

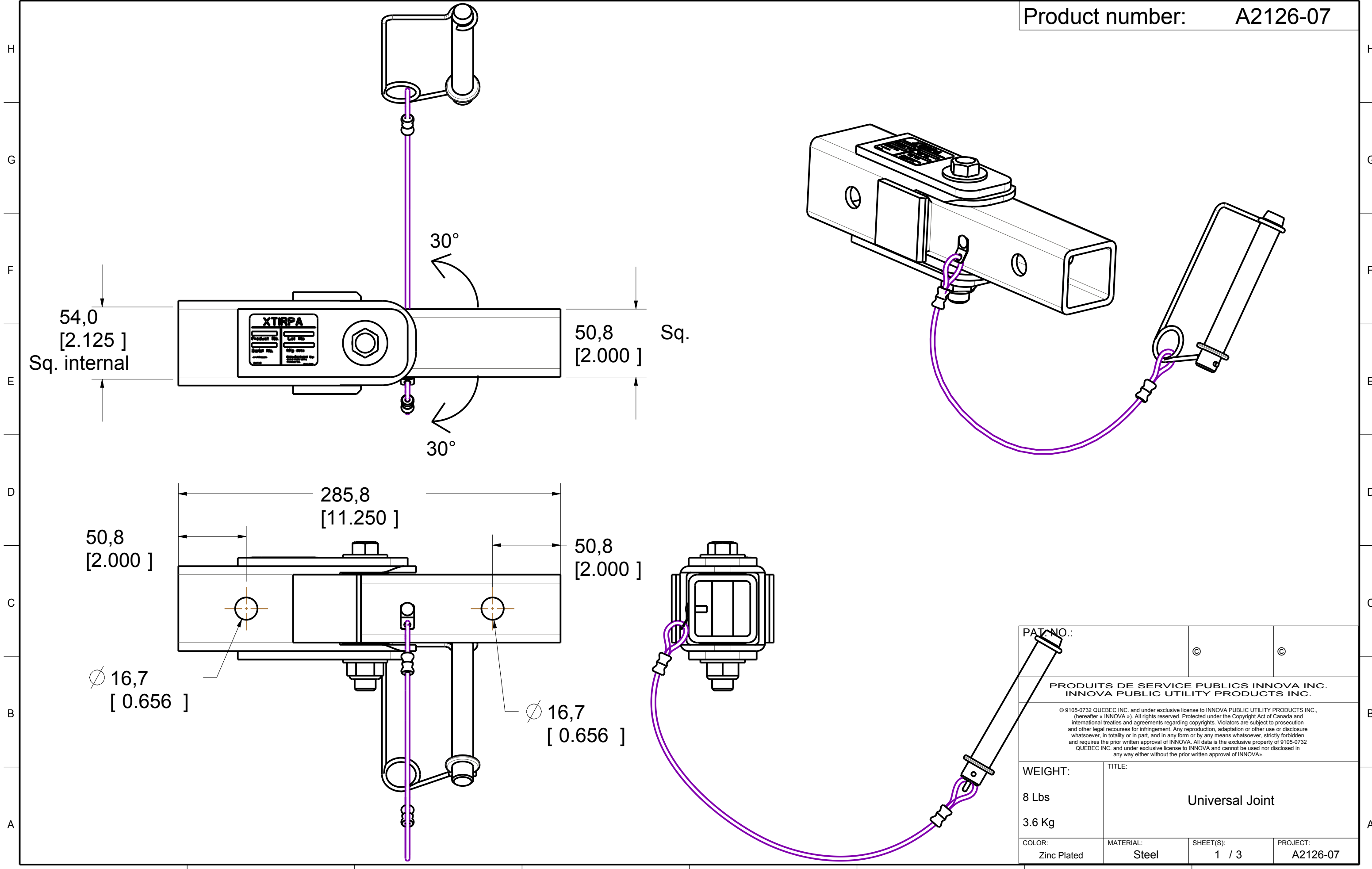
+61 2 4735 3630

### E-mail

[sales@spanset.com.au](mailto:sales@spanset.com.au)

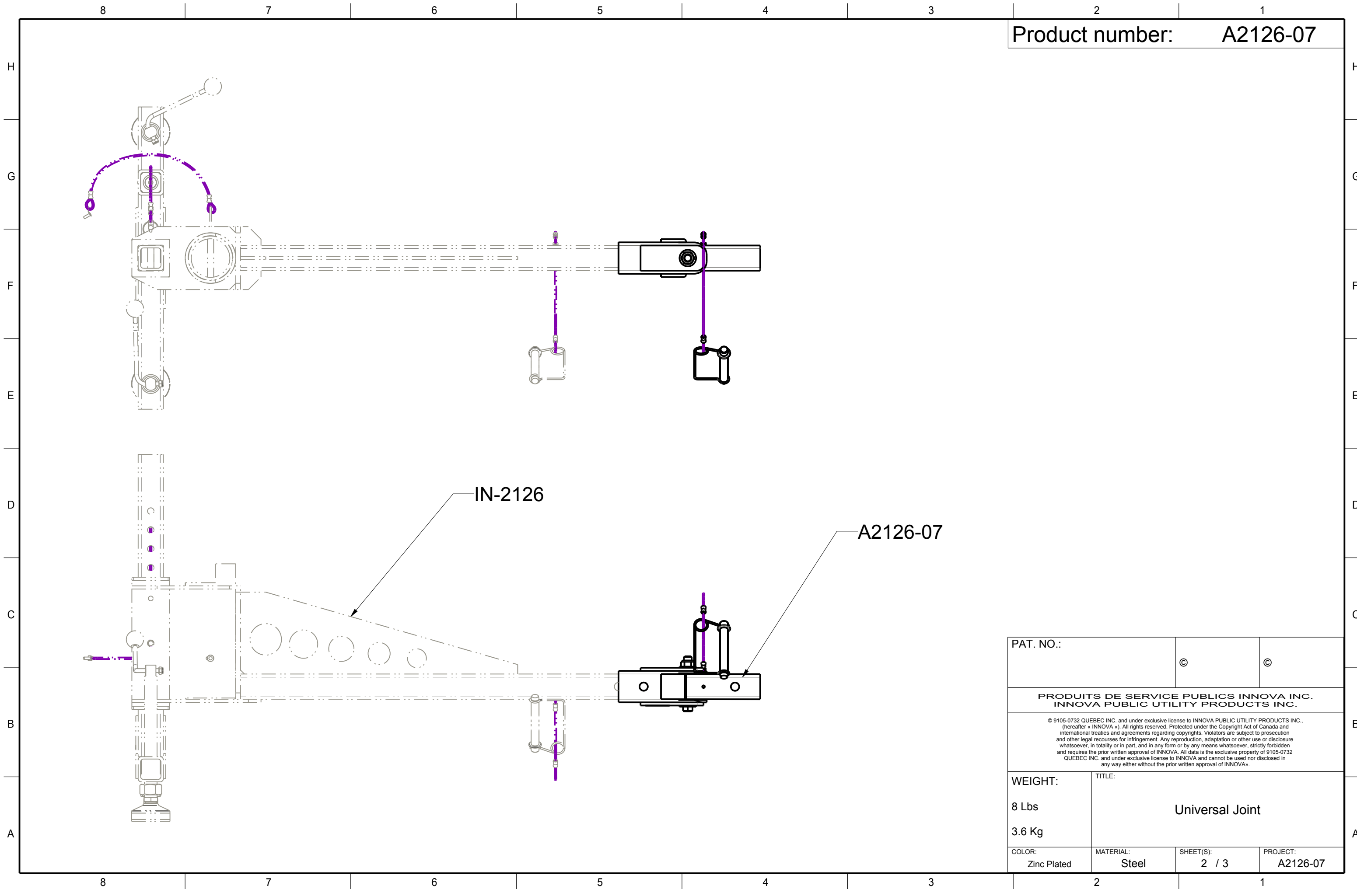
### Internet

[www.spanset.com.au](http://www.spanset.com.au)

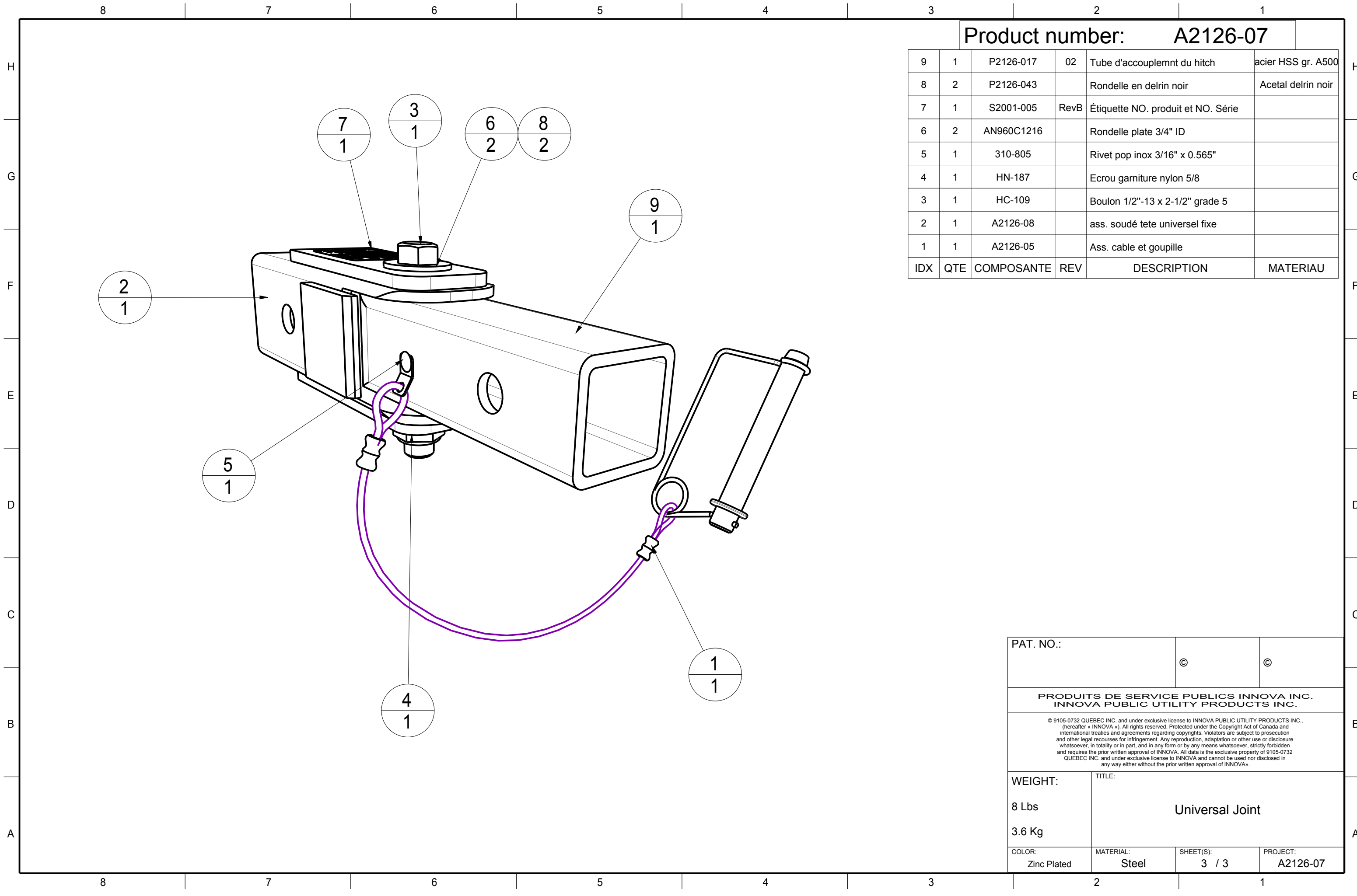


PAT. NO.:		©	©
<b>PRODUITS DE SERVICE PUBLICS INNOVA INC.</b> <b>INNOVA PUBLIC UTILITY PRODUCTS INC.</b>			
<small>© 9105-0732 QUEBEC INC. and under exclusive license to INNOVA PUBLIC UTILITY PRODUCTS INC. (hereafter « INNOVA »). All rights reserved. Protected under the Copyright Act of Canada and international treaties and agreements regarding copyrights. Violators are subject to prosecution and other legal recourses for infringement. Any reproduction, adaptation or other use or disclosure whatsoever, in totality or in part, and in any form or by any means whatsoever, strictly forbidden and requires the prior written approval of INNOVA. All data is the exclusive property of 9105-0732 QUEBEC INC. and under exclusive license to INNOVA and cannot be used nor disclosed in any way either without the prior written approval of INNOVA.</small>			
WEIGHT:	TITLE:		
8 Lbs	<b>Universal Joint</b>		
3.6 Kg			
COLOR:	MATERIAL:	SHEET(S):	PROJECT:
Zinc Plated	Steel	1 / 3	A2126-07

Product number: **A2126-07**



PAT. NO.:		©	©
<b>PRODUITS DE SERVICE PUBLICS INNOVA INC.</b> <b>INNOVA PUBLIC UTILITY PRODUCTS INC.</b>			
<small>© 9105-0732 QUEBEC INC. and under exclusive license to INNOVA PUBLIC UTILITY PRODUCTS INC. (hereafter « INNOVA »). All rights reserved. Protected under the Copyright Act of Canada and international treaties and agreements regarding copyrights. Violators are subject to prosecution and other legal recourses for infringement. Any reproduction, adaptation or other use or disclosure whatsoever, in totality or in part, and in any form or by any means whatsoever, strictly forbidden and requires the prior written approval of INNOVA. All data is the exclusive property of 9105-0732 QUEBEC INC. and under exclusive license to INNOVA and cannot be used nor disclosed in any way either without the prior written approval of INNOVA.</small>			
WEIGHT:	TITLE:		
8 Lbs	<b>Universal Joint</b>		
3.6 Kg			
COLOR:	MATERIAL:	SHEET(S):	PROJECT:
Zinc Plated	Steel	2 / 3	A2126-07



Product number: **A2126-07**

IDX	QTE	COMPOSANTE	REV	DESCRIPTION	MATERIAU
9	1	P2126-017	02	Tube d'accouplement du hitch	acier HSS gr. A500
8	2	P2126-043		Rondelle en delrin noir	Acetal delrin noir
7	1	S2001-005	RevB	Étiquette NO. produit et NO. Série	
6	2	AN960C1216		Rondelle plate 3/4" ID	
5	1	310-805		Rivet pop inox 3/16" x 0.565"	
4	1	HN-187		Ecrou garniture nylon 5/8	
3	1	HC-109		Boulon 1/2"-13 x 2-1/2" grade 5	
2	1	A2126-08		ass. soudé tete universel fixe	
1	1	A2126-05		Ass. cable et goupille	

PAT. NO.:		©	©
<b>PRODUITS DE SERVICE PUBLICS INNOVA INC.</b> <b>INNOVA PUBLIC UTILITY PRODUCTS INC.</b>			
© 9105-0732 QUEBEC INC. and under exclusive license to INNOVA PUBLIC UTILITY PRODUCTS INC., (hereafter « INNOVA »). All rights reserved. Protected under the Copyright Act of Canada and international treaties and agreements regarding copyrights. Violators are subject to prosecution and other legal recourses for infringement. Any reproduction, adaptation or other use or disclosure whatsoever, in totality or in part, and in any form or by any means whatsoever, strictly forbidden and requires the prior written approval of INNOVA. All data is the exclusive property of 9105-0732 QUEBEC INC. and under exclusive license to INNOVA and cannot be used nor disclosed in any way either without the prior written approval of INNOVA.			
WEIGHT:	TITLE:		
8 Lbs	<b>Universal Joint</b>		
3.6 Kg			
COLOR:	MATERIAL:	SHEET(S):	PROJECT:
Zinc Plated	Steel	3 / 3	A2126-07