

## TECHNICAL DATA SHEET

# SPXTA2201-04: Reducer 5.5" to 4.0"



### SpanSet Australia Ltd

150 Old Bathurst Road  
Emu Plains  
NSW 2750  
Australia

#### Telephone

+61 2 4735 3955

#### Fax

+61 2 4735 3630

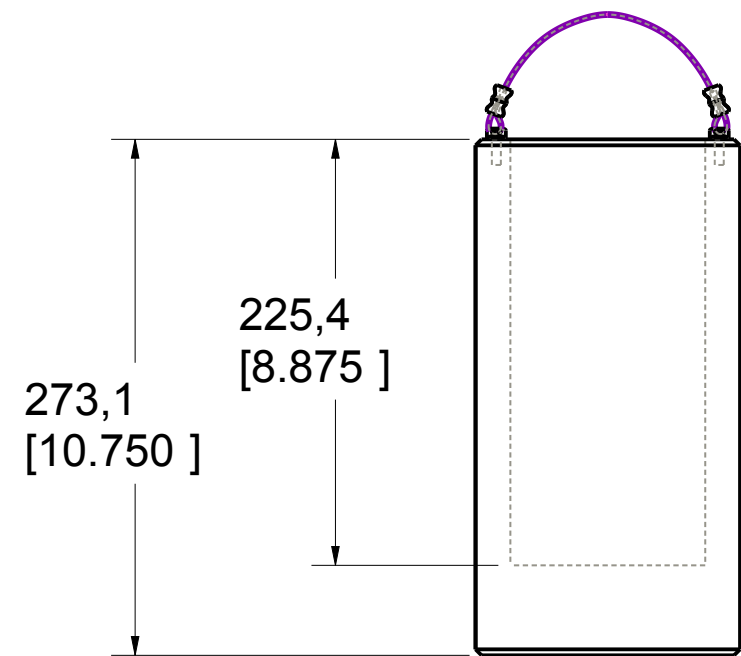
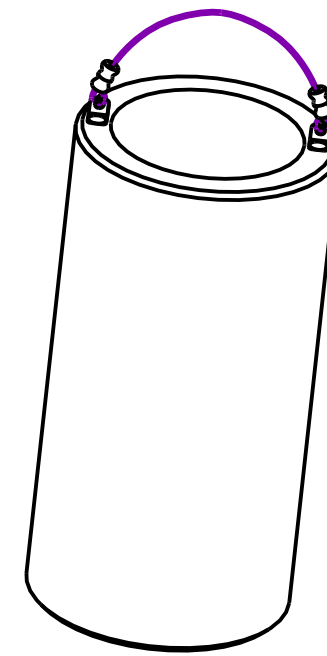
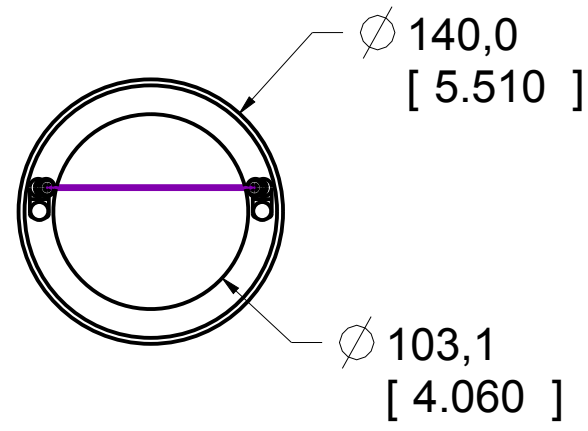
#### E-mail

[sales@spanset.com.au](mailto:sales@spanset.com.au)

#### Internet

[www.spanset.com.au](http://www.spanset.com.au)

Product number: **A2201-04**



PAT. NO.:		©12/05/2011	©
<b>PRODUITS DE SERVICE PUBLICS INNOVA INC.</b> <b>INNOVA PUBLIC UTILITY PRODUCTS INC.</b>			
<small>© 9105-0732 QUEBEC INC. and under exclusive license to INNOVA PUBLIC UTILITY PRODUCTS INC., (hereafter « INNOVA »). All rights reserved. Protected under the Copyright Act of Canada and international treaties and agreements regarding copyrights. Violators are subject to prosecution and other legal recourses for infringement. Any reproduction, adaptation or other use or disclosure whatsoever, in totality or in part, and in any form or by any means whatsoever, strictly forbidden and requires the prior written approval of INNOVA. All data is the exclusive property of 9105-0732 QUEBEC INC. and under exclusive license to INNOVA and cannot be used nor disclosed in any way either without the prior written approval of INNOVA.</small>			
WEIGHT:	TITLE:		
7.0 Lbs	Reducer 5-1/2" to 4.0"		
3.175 Kg			
COLOR:	MATERIAL:	SHEET(S):	PROJECT:
Black	Acetal Delrin	1 / 3	A2201-04

8

7

6

5

4

3

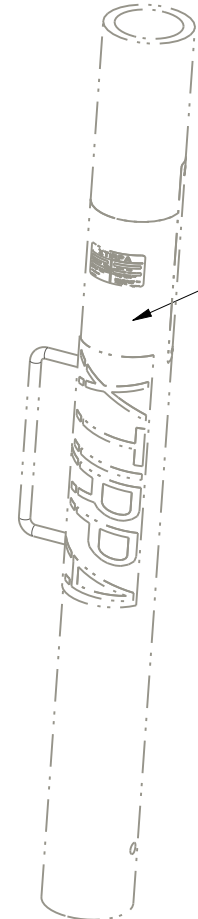
2

1

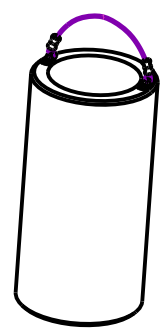
Product number: A2201-04

H  
G  
F  
E  
D  
C  
B  
A

H  
G  
F  
E  
D  
C  
B  
A



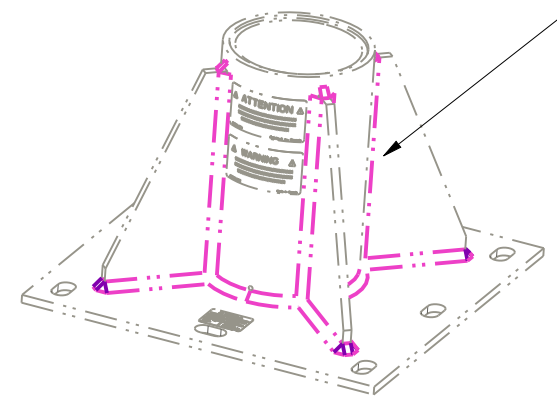
IN-2240



IN-2201

OR

All Adapters  
for Mast 5-1/2"



PAT. NO.:	©12/05/2011	©
-----------	-------------	---

PRODUITS DE SERVICE PUBLICS INNOVA INC.  
INNOVA PUBLIC UTILITY PRODUCTS INC.

© 9105-0732 QUEBEC INC. and under exclusive license to INNOVA PUBLIC UTILITY PRODUCTS INC., (hereafter « INNOVA »). All rights reserved. Protected under the Copyright Act of Canada and international treaties and agreements regarding copyrights. Violators are subject to prosecution and other legal recourses for infringement. Any reproduction, adaptation or other use or disclosure whatsoever, in totality or in part, and in any form or by any means whatsoever, strictly forbidden and requires the prior written approval of INNOVA. All data is the exclusive property of 9105-0732 QUEBEC INC. and under exclusive license to INNOVA and cannot be used nor disclosed in any way either without the prior written approval of INNOVA.

WEIGHT:	TITLE:		
7.0 Lbs	Reducer 5-1/2" to 4.0"		
3.175 Kg			

COLOR:	MATERIAL:	SHEET(S):	PROJECT:
Black	Acetal Delrin	2 / 3	A2201-04

8

7

6

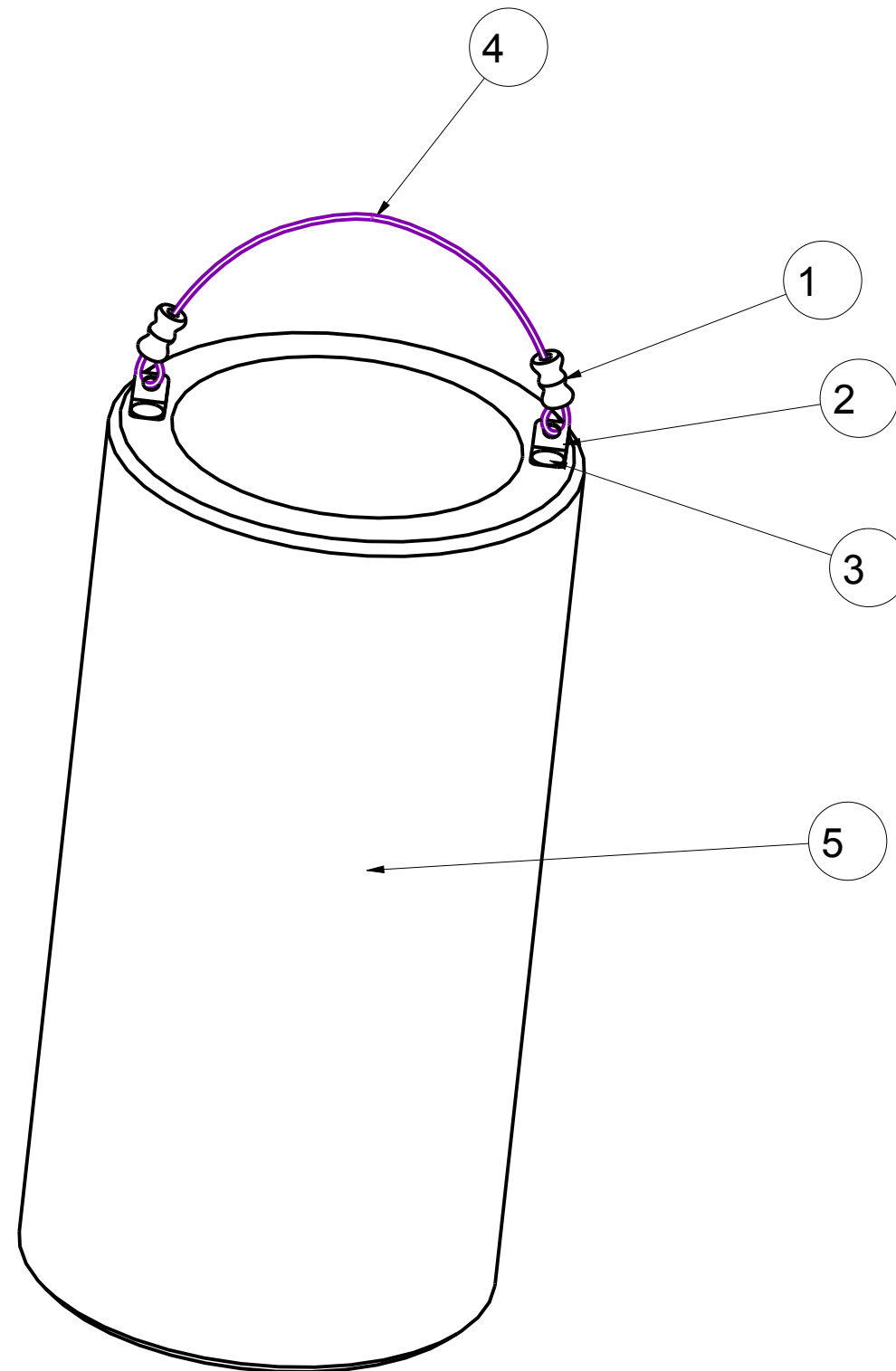
5

4

3

2

1



Product number: **A2201-04**

5	1	P2201-007	01	cylindre réducteur 5-1/2" à 4"	Delrin noir
4	1	P2201-006		Câble 12"	11633277SPC
3	2	310-805		Rivet pop inox 3/16" x 0.565"	
2	2	T203		Plaque 2 trous	
1	2	121-361		Oval Swage Cosse	
IDX	QTE	COMPOSANTE	REV	DESCRIPTION	MATERIAU

PAT. NO.:		©12/05/2011	©
<b>PRODUITS DE SERVICE PUBLICS INNOVA INC.</b> <b>INNOVA PUBLIC UTILITY PRODUCTS INC.</b>			
<small>© 9105-0732 QUEBEC INC. and under exclusive license to INNOVA PUBLIC UTILITY PRODUCTS INC., (hereafter « INNOVA »). All rights reserved. Protected under the Copyright Act of Canada and international treaties and agreements regarding copyrights. Violators are subject to prosecution and other legal recourses for infringement. Any reproduction, adaptation or other use or disclosure whatsoever, in totality or in part, and in any form or by any means whatsoever, strictly forbidden and requires the prior written approval of INNOVA. All data is the exclusive property of 9105-0732 QUEBEC INC. and under exclusive license to INNOVA and cannot be used nor disclosed in any way either without the prior written approval of INNOVA.</small>			
WEIGHT:	TITLE:		
7.0 Lbs	Reducer 5-1/2" to 4.0"		
3.175 Kg			
COLOR:	MATERIAL:	SHEET(S):	PROJECT:
Black	Acetal Delrin	3 / 3	A2201-04