

SPXTIN2238-03: Reducer 4" to 3"



SpanSet Australia Ltd

150 Old Bathurst Road
Emu Plains
NSW 2750
Australia

Telephone

+61 2 4735 3955

Fax

+61 2 4735 3630

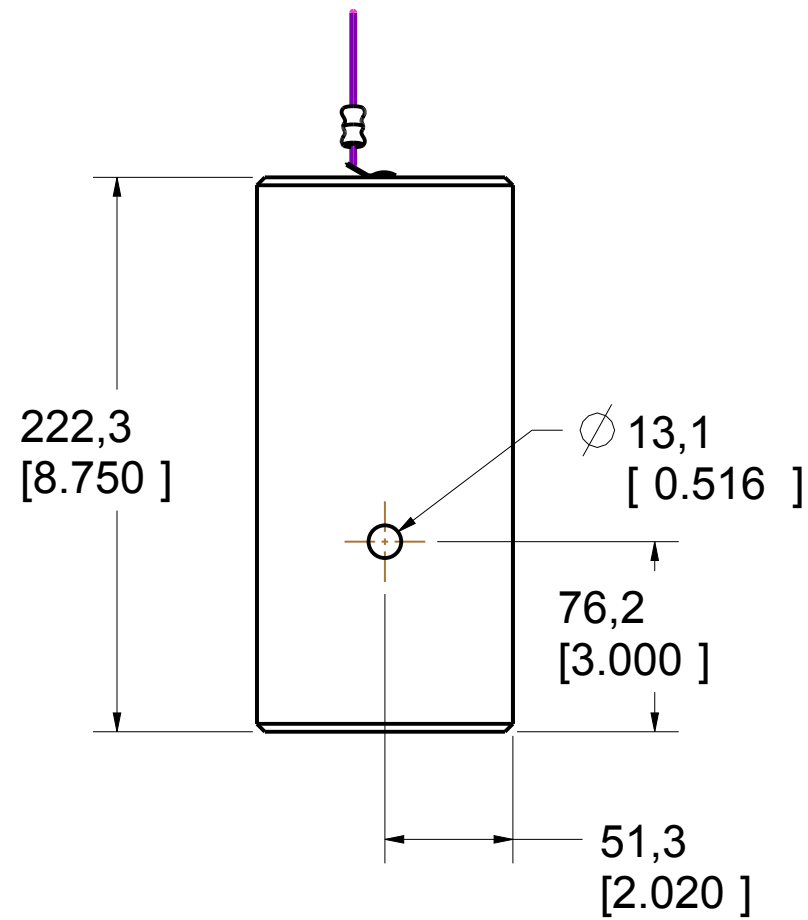
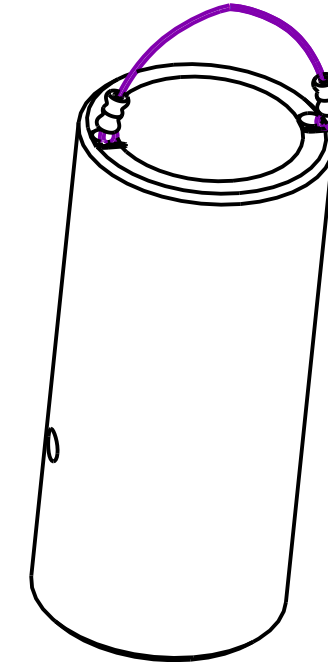
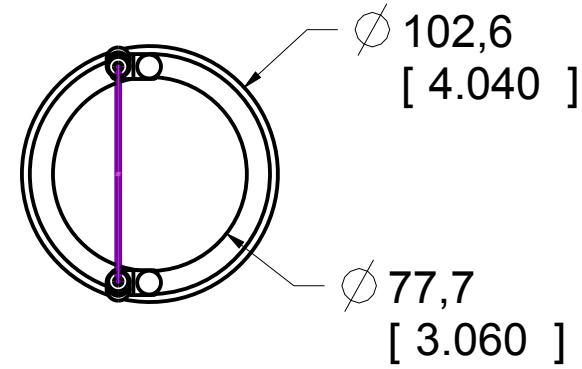
E-mail

sales@spanset.com.au

Internet

www.spanset.com.au

Product number: A2238-03



PAT. NO.:		©12/05/2011	©
PRODUITS DE SERVICE PUBLICS INNOVA INC. INNOVA PUBLIC UTILITY PRODUCTS INC.			
<small>© 9105-0732 QUEBEC INC. and under exclusive license to INNOVA PUBLIC UTILITY PRODUCTS INC., (hereafter « INNOVA »). All rights reserved. Protected under the Copyright Act of Canada and international treaties and agreements regarding copyrights. Violators are subject to prosecution and other legal recourses for infringement. Any reproduction, adaptation or other use or disclosure whatsoever, in totality or in part, and in any form or by any means whatsoever, strictly forbidden and requires the prior written approval of INNOVA. All data is the exclusive property of 9105-0732 QUEBEC INC. and under exclusive license to INNOVA and cannot be used nor disclosed in any way either without the prior written approval of INNOVA.</small>			
WEIGHT:	TITLE:		
2.5 Lbs	Reducer 4" to 3"		
1.134 Kg			
COLOR:	MATERIAL:	SHEET(S):	PROJECT:
Black	Acetal Delrin	1 / 3	A2238-03

8

7

6

5

4

3

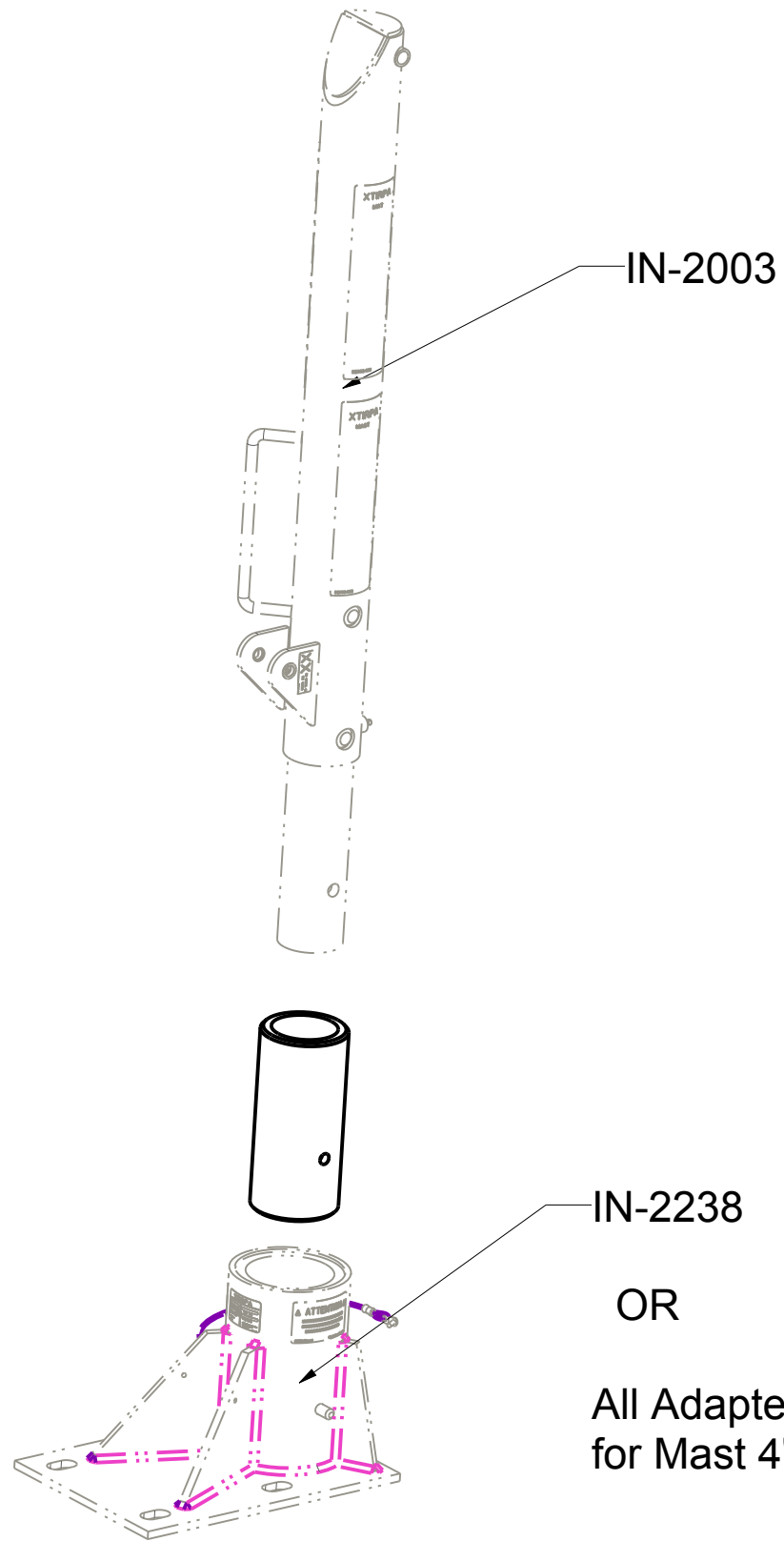
2

1

Product number: A2238-03

H
G
F
E
D
C
B
A

H
G
F
E
D
C
B
A



PAT. NO.:		©12/05/2011	©
PRODUITS DE SERVICE PUBLICS INNOVA INC. INNOVA PUBLIC UTILITY PRODUCTS INC.			
<small>© 9105-0732 QUEBEC INC. and under exclusive license to INNOVA PUBLIC UTILITY PRODUCTS INC., (hereafter « INNOVA »). All rights reserved. Protected under the Copyright Act of Canada and international treaties and agreements regarding copyrights. Violators are subject to prosecution and other legal recourses for infringement. Any reproduction, adaptation or other use or disclosure whatsoever, in totality or in part, and in any form or by any means whatsoever, strictly forbidden and requires the prior written approval of INNOVA. All data is the exclusive property of 9105-0732 QUEBEC INC. and under exclusive license to INNOVA and cannot be used nor disclosed in any way either without the prior written approval of INNOVA.</small>			
WEIGHT:	TITLE:		
2.5 Lbs	Reducer 4" to 3"		
1.134 Kg			
COLOR:	MATERIAL:	SHEET(S):	PROJECT:
Black	Acetal Delrin	2 / 3	A2238-03

8

7

6

5

4

3

2

1

8

7

6

5

4

3

2

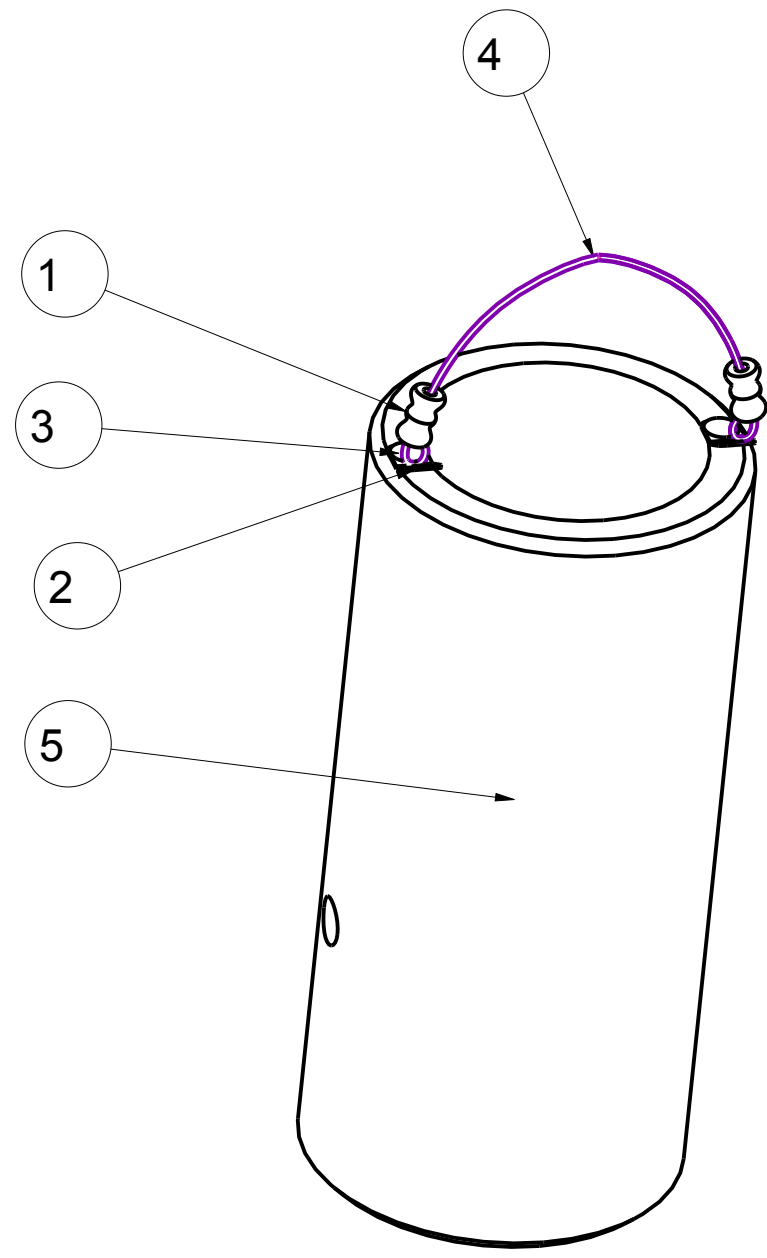
1

H
G
F
E
D
C
B
A

H
G
F
E
D
C
B
A

Product number: **A2238-03**

5	1	P2238-006		Cylindre réducteur 4" à 3"	Delrin noir
4	1	P2201-006		Câble 12"	11633277SPC
3	2	310-805		Rivet pop inox 3/16" x 0.565"	
2	2	T203		Plaque 2 trous	
1	2	121-361		Oval Swage Cosse	
IDX	QTE	COMPOSANTE	REV	DESCRIPTION	MATERIAU



PAT. NO.:		©12/05/2011	©
PRODUITS DE SERVICE PUBLICS INNOVA INC. INNOVA PUBLIC UTILITY PRODUCTS INC.			
© 9105-0732 QUEBEC INC. and under exclusive license to INNOVA PUBLIC UTILITY PRODUCTS INC., (hereafter « INNOVA »). All rights reserved. Protected under the Copyright Act of Canada and international treaties and agreements regarding copyrights. Violators are subject to prosecution and other legal recourses for infringement. Any reproduction, adaptation or other use or disclosure whatsoever, in totality or in part, and in any form or by any means whatsoever, strictly forbidden and requires the prior written approval of INNOVA. All data is the exclusive property of 9105-0732 QUEBEC INC. and under exclusive license to INNOVA and cannot be used nor disclosed in any way either without the prior written approval of INNOVA.			
WEIGHT:	TITLE:		
2.5 Lbs	Reducer 4" to 3"		
1.134 Kg			
COLOR:	MATERIAL:	SHEET(S):	PROJECT:
Black	Acetal Delrin	3 / 3	A2238-03

8

7

6

5

4

3

2

1